



MARCUS

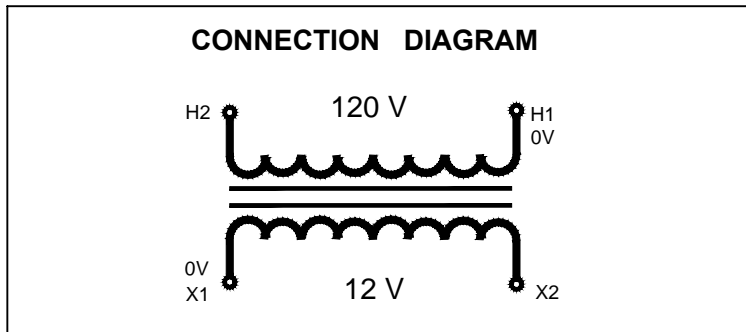
Marcus Transformer LTD
 Phone: 1-800-267-7376
 Fax: 1-866-205-7526
 Email: Info@marcustransformer.com

TECHNICAL DATA

SINGLE PHASE CONTROL TRANSFORMER

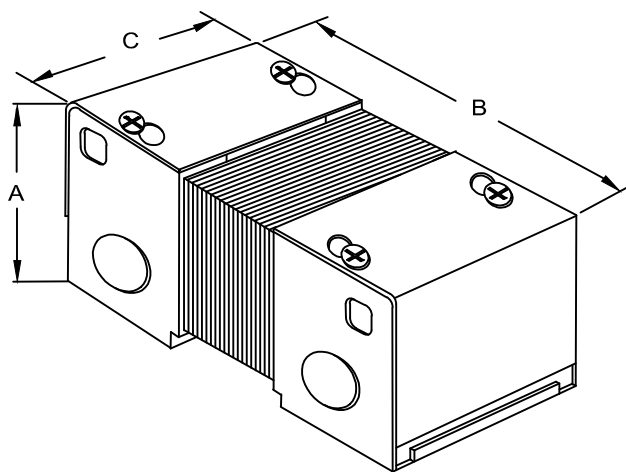
DESCRIPTION

MODEL	MC50A
Type	Enclosed, Indoor application
VA	50
Primary (Volts)	120
Secondary (Volts)	12
Input /Output Amps	0.42 / 4.17
Temperature Rise	95°C
Insulation Class	B (130°C)
Frequency	60Hz
Polarity	additive
Noise level	less than 40DB
Winding	Copper
Approvals	UL listed CSA approved

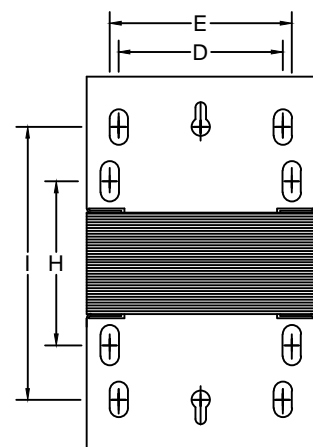
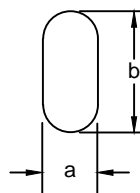


WIRING CONNECTION

PRIMARY :	
VOLTS 120	CONNECT LINES TO : H1-H2
SECONDARY :	
VOLTS 12	CONNECT LINES TO : X1-X2



LETTER	MOUNTING SLOTS INCHES / MM a b
S	0.25 x 0.500 6.4 x 12.7
T	0.25 x 0.625 6.4 x 15.9



DIMENSIONS INCHES / MM

VA	A	B	C	D	E	F	G	H	I	J	K	L	M	SHIP WEIGHT LBS / KG
50	2.82 71.6	5.13 130.3	3.13 79.5	2.25 57.2	2.50 63.5			2.25(T) 57.2	3.75(S) 95.3					3.25 1.5



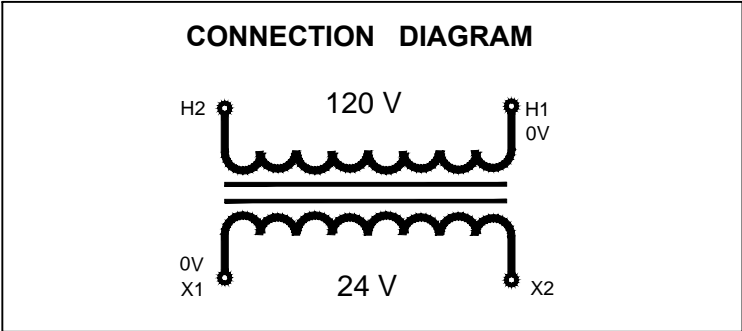
MARCUS

Marcus Transformer LTD
 Phone: 1-800-267-7376
 Fax: 1-866-205-7526
 Email: Info@marcustransformer.com

TECHNICAL DATA

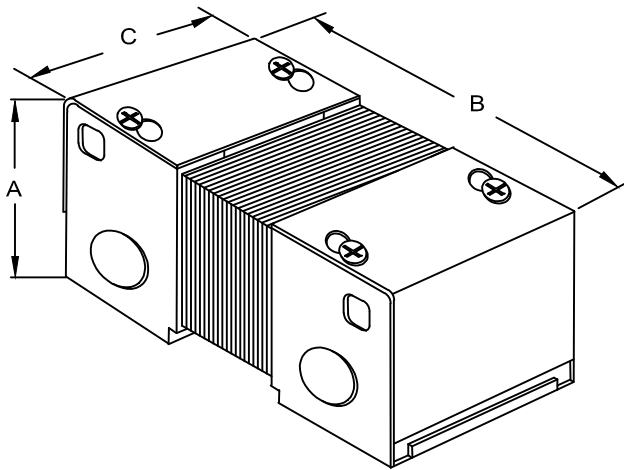
SINGLE PHASE CONTROL TRANSFORMER

DESCRIPTION	
MODEL	MC50B
Type	Enclosed, Indoor application
VA	50
Primary (Volts)	120
Secondary (Volts)	24
Input /Output Amps	0.42 / 2.08
Temperature Rise	95°C
Insulation Class	B (130°C)
Frequency	60Hz
Polarity	additive
Noise level	less than 40DB
Winding	Copper
Approvals	UL listed CSA approved

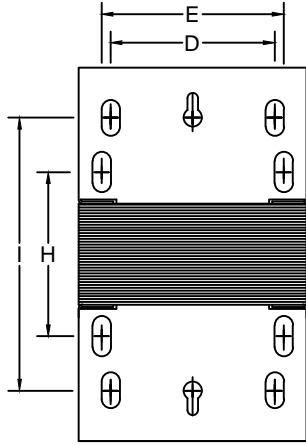
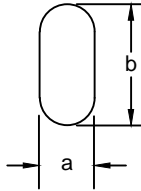


WIRING CONNECTION

PRIMARY :	
VOLTS	CONNECT LINES TO :
120	H1-H2
SECONDARY :	
VOLTS	CONNECT LINES TO :
24	X1-X2



LETTER	MOUNTING SLOTS
	INCHES / MM
	a b
S	0.25 x 0.500 6.4 x 12.7
T	0.25 x 0.625 6.4 x 15.9



DIMENSIONS INCHES / MM

VA	A	B	C	D	E	F	G	H	I	J	K	L	M	SHIP WEIGHT LBS / KG
50	2.82 71.6	5.13 130.3	3.13 79.5	2.25 57.2	2.50 63.5			2.25(T) 57.2	3.75(S) 95.3					3.25 1.5



MARCUS

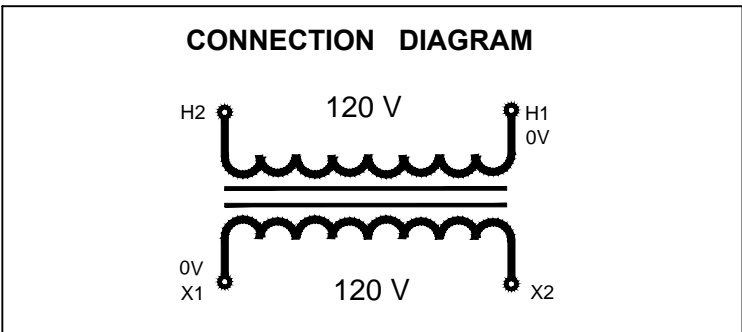
Marcus Transformer LTD
 Phone: 1-800-267-7376
 Fax: 1-866-205-7526
 Email: Info@marcustransformer.com

TECHNICAL DATA

SINGLE PHASE CONTROL TRANSFORMER

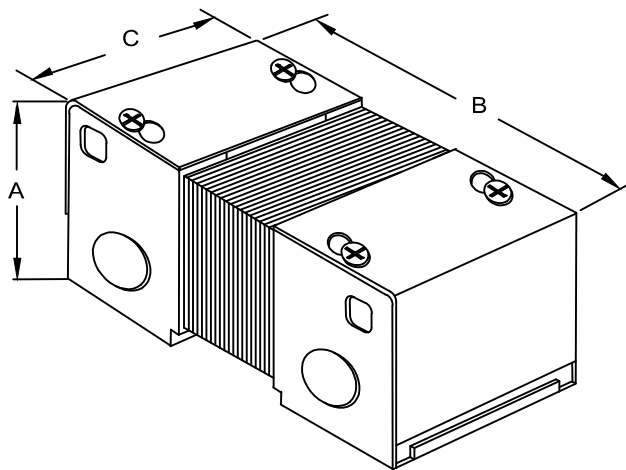
DESCRIPTION

MODEL	MC50C
Type	Enclosed, Indoor application
VA	50
Primary (Volts)	120
Secondary (Volts)	120
Input /Output Amps	0.42 / 0.42
Temperature Rise	95°C
Insulation Class	B (130°C)
Frequency	60Hz
Polarity	additive
Noise level	less than 40DB
Winding	Copper
Approvals	UL listed CSA approved

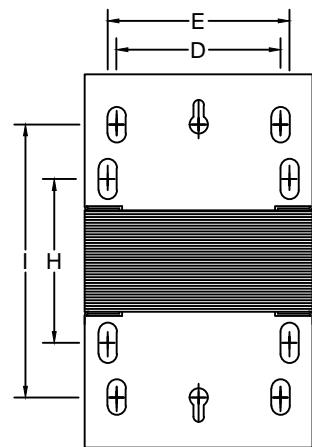
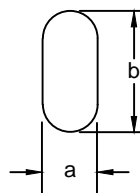


WIRING CONNECTION

PRIMARY :	
VOLTS 120	CONNECT LINES TO : H1-H2
SECONDARY :	
VOLTS 120	CONNECT LINES TO : X1-X2



LETTER	MOUNTING SLOTS INCHES / MM a b
S	0.25 x 0.500 6.4 x 12.7
T	0.25 x 0.625 6.4 x 15.9



DIMENSIONS INCHES / MM

VA	A	B	C	D	E	F	G	H	I	J	K	L	M	SHIP WEIGHT LBS / KG
50	2.82 71.6	5.13 130.3	3.13 79.5	2.25 57.2	2.50 63.5			2.25(T) 57.2	3.75(S) 95.3					3.25 1.5



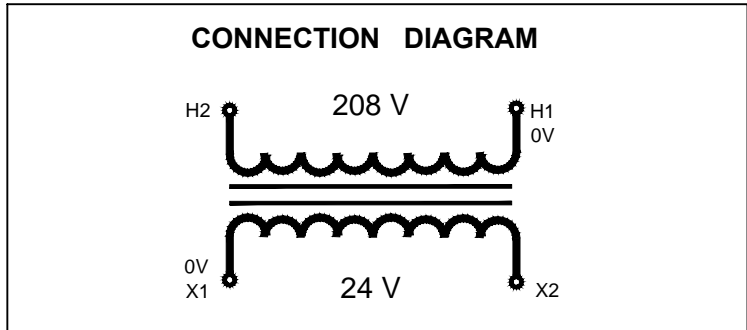
MARCUS

Marcus Transformer LTD
 Phone: 1-800-267-7376
 Fax: 1-866-205-7526
 Email: Info@marcustransformer.com

TECHNICAL DATA

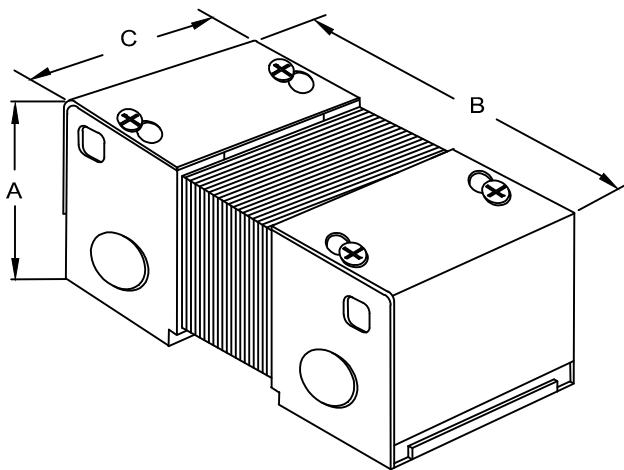
SINGLE PHASE CONTROL TRANSFORMER

DESCRIPTION	
MODEL	MC50D
Type	Enclosed, Indoor application
VA	50
Primary (Volts)	208
Secondary (Volts)	24
Input /Output Amps	0.24 / 2.08
Temperature Rise	95°C
Insulation Class	B (130°C)
Frequency	60Hz
Polarity	additive
Noise level	less than 40DB
Winding	Copper
Approvals	UL listed CSA approved

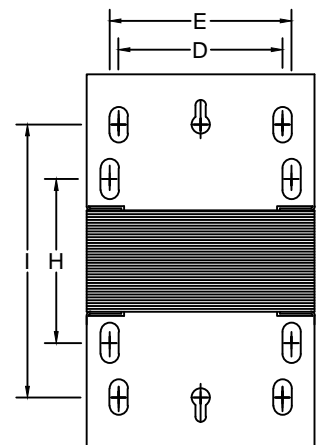
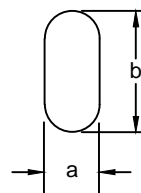


WIRING CONNECTION

PRIMARY :	
VOLTS	CONNECT LINES TO :
208	H1-H2
SECONDARY :	
VOLTS	CONNECT LINES TO :
24	X1-X2



LETTER	MOUNTING SLOTS
	INCHES / MM
	a b
S	0.25 x 0.500 6.4 x 12.7
T	0.25 x 0.625 6.4 x 15.9



DIMENSIONS INCHES / MM

VA	A	B	C	D	E	F	G	H	I	J	K	L	M	SHIP WEIGHT LBS / KG
50	2.82 71.6	5.13 130.3	3.13 79.5	2.25 57.2	2.50 63.5			2.25(T) 57.2	3.75(S) 95.3					3.25 1.5

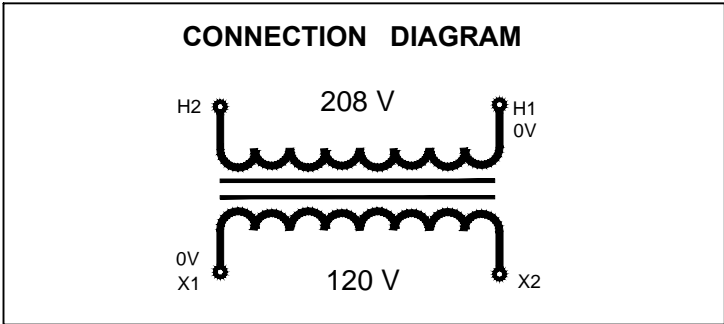


MARCUS

Marcus Transformer LTD
 Phone: 1-800-267-7376
 Fax: 1-866-205-7526
 Email: Info@marcustransformer.com

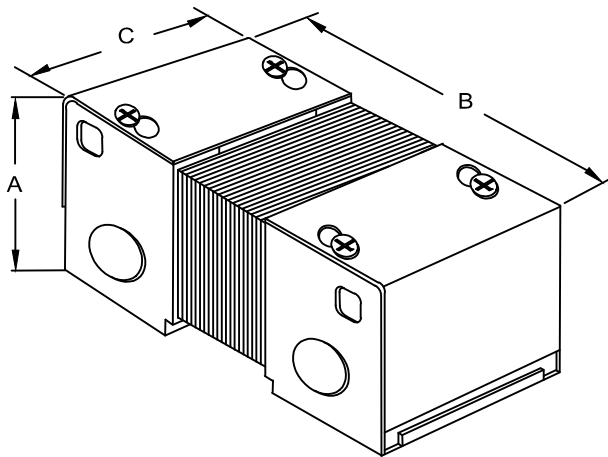
TECHNICAL DATA SINGLE PHASE CONTROL TRANSFORMER

DESCRIPTION	
MODEL	MC50E
Type	Enclosed, Indoor application
VA	50
Primary (Volts)	208
Secondary (Volts)	120
Input /Output Amps	0.24 / 0.42
Temperature Rise	95°C
Insulation Class	B (130°C)
Frequency	60Hz
Polarity	additive
Noise level	less than 40DB
Winding	Copper
Approvals	UL listed CSA approved

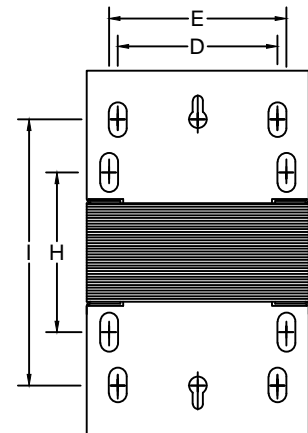
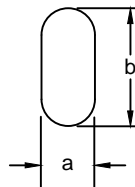


WIRING CONNECTION

PRIMARY :	
VOLTS 208	CONNECT LINES TO : H1-H2
SECONDARY :	
VOLTS 120	CONNECT LINES TO : X1-X2



LETTER	MOUNTING SLOTS INCHES / MM a b
S	0.25 x 0.500 6.4 x 12.7
T	0.25 x 0.625 6.4 x 15.9



DIMENSIONS INCHES / MM

VA	A	B	C	D	E	F	G	H	I	J	K	L	M	SHIP WEIGHT LBS / KG
50	2.82 71.6	5.13 130.3	3.13 79.5	2.25 57.2	2.50 63.5			2.25(T) 57.2	3.75(S) 95.3					3.25 1.5



MARCUS

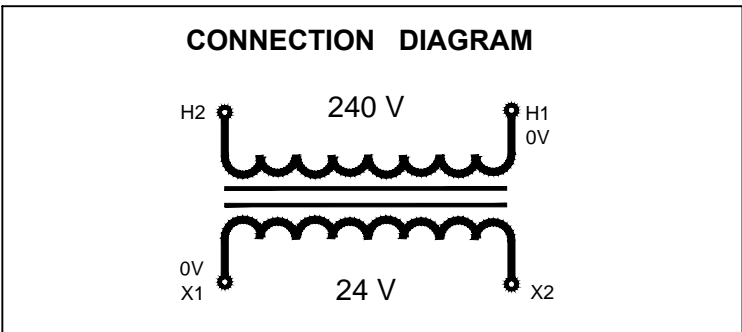
Marcus Transformer LTD
 Phone: 1-800-267-7376
 Fax: 1-866-205-7526
 Email: Info@marcustransformer.com

TECHNICAL DATA

SINGLE PHASE CONTROL TRANSFORMER

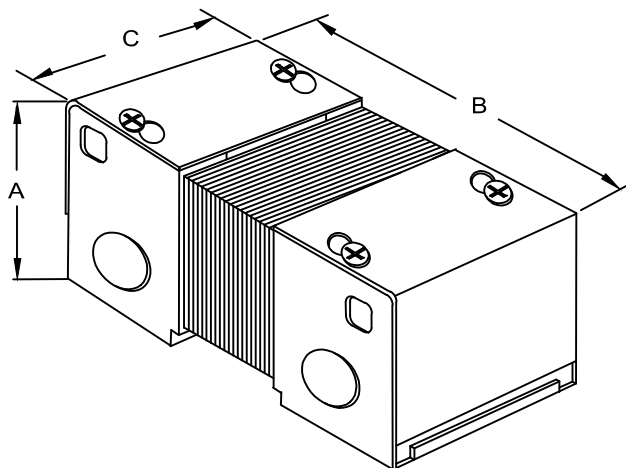
DESCRIPTION

MODEL	MC50F
Type	Enclosed, Indoor application
VA	50
Primary (Volts)	240
Secondary (Volts)	24
Input /Output Amps	0.21 / 2.08
Temperature Rise	95°C
Insulation Class	B (130°C)
Frequency	60Hz
Polarity	additive
Noise level	less than 40DB
Winding	Copper
Approvals	UL listed CSA approved

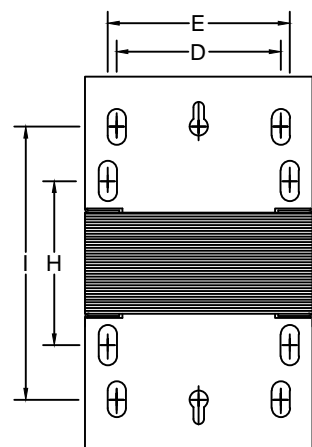
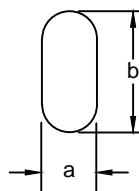


WIRING CONNECTION

PRIMARY :	
VOLTS 240	CONNECT LINES TO : H1-H2
SECONDARY :	
VOLTS 24	CONNECT LINES TO : X1-X2



LETTER	MOUNTING SLOTS INCHES / MM a b
S	0.25 x 0.500 6.4 x 12.7
T	0.25 x 0.625 6.4 x 15.9



DIMENSIONS INCHES / MM

VA	A	B	C	D	E	F	G	H	I	J	K	L	M	SHIP WEIGHT LBS / KG
50	2.82 71.6	5.13 130.3	3.13 79.5	2.25 57.2	2.50 63.5			2.25(T) 57.2	3.75(S) 95.3					3.25 1.5

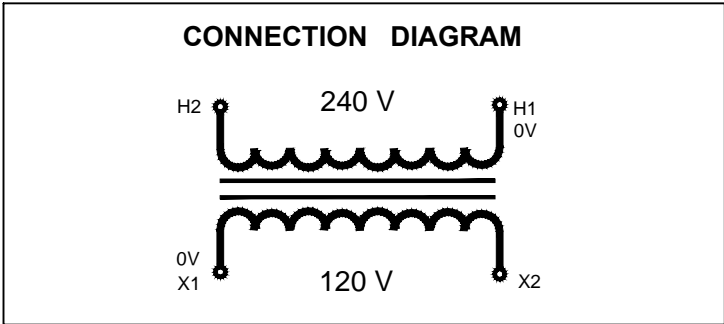


MARCUS

Marcus Transformer LTD
 Phone: 1-800-267-7376
 Fax: 1-866-205-7526
 Email: Info@marcustransformer.com

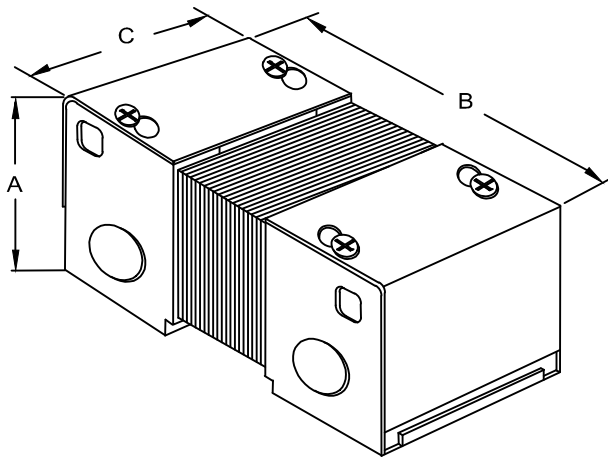
TECHNICAL DATA SINGLE PHASE CONTROL TRANSFORMER

DESCRIPTION	
MODEL	MC50G
Type	Enclosed, Indoor application
VA	50
Primary (Volts)	240
Secondary (Volts)	120
Input /Output Amps	0.21 / 0.42
Temperature Rise	95°C
Insulation Class	B (130°C)
Frequency	60Hz
Polarity	additive
Noise level	less than 40DB
Winding	Copper
Approvals	UL listed CSA approved

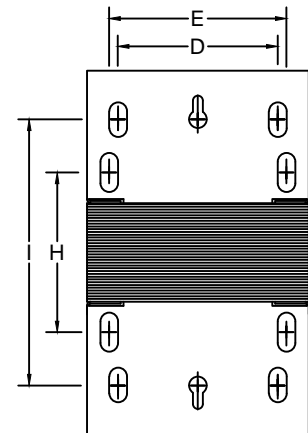
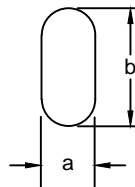


WIRING CONNECTION

PRIMARY :	
VOLTS 240	CONNECT LINES TO : H1-H2
SECONDARY :	
VOLTS 120	CONNECT LINES TO : X1-X2



LETTER	MOUNTING SLOTS INCHES / MM a b
S	0.25 x 0.500 6.4 x 12.7
T	0.25 x 0.625 6.4 x 15.9



DIMENSIONS INCHES / MM

VA	A	B	C	D	E	F	G	H	I	J	K	L	M	SHIP WEIGHT LBS / KG
50	2.82 71.6	5.13 130.3	3.13 79.5	2.25 57.2	2.50 63.5			2.25(T) 57.2	3.75(S) 95.3					3.25 1.5



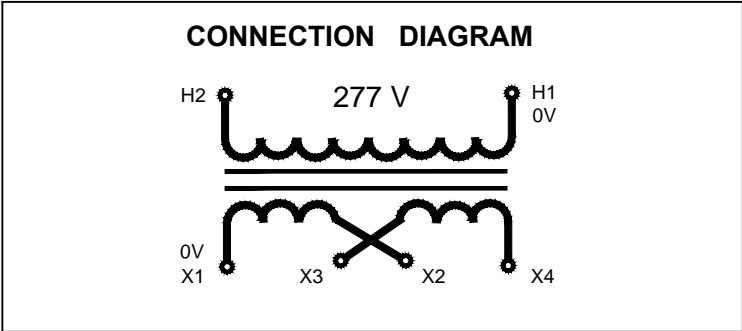
MARCUS

Marcus Transformer LTD
 Phone: 1-800-267-7376
 Fax: 1-866-205-7526
 Email: Info@marcustransformer.com

TECHNICAL DATA

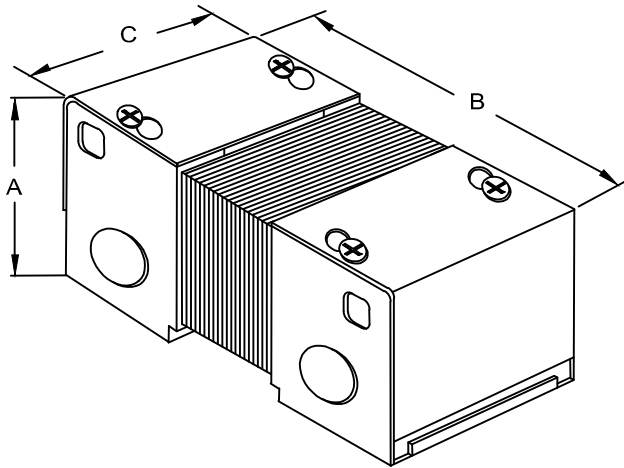
SINGLE PHASE CONTROL TRANSFORMER

DESCRIPTION	
MODEL	MC50H
Type	Enclosed, Indoor application
VA	50
Primary (Volts)	277
Secondary (Volts)	120 / 240
Input / Output Amps	0.18 / 0.42 , 0.21
Temperature Rise	95°C
Insulation Class	B (130°C)
Frequency	60Hz
Polarity	additive
Noise level	less than 40DB
Winding	Copper
Approvals	UL listed CSA approved

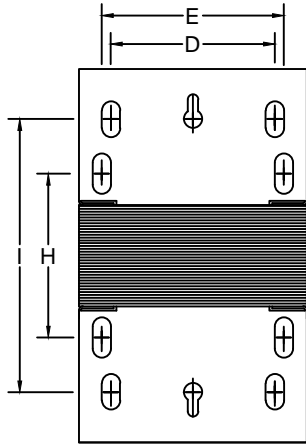
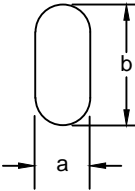


WIRING CONNECTION

PRIMARY :		
VOLTS 277	CONNECT LINES TO : H1-H2	
SECONDARY :		
VOLTS 120	INTERCONNECT: X1-X3 AND X2-X4	CONNECT LINES TO : X1-X4
240	X2-X3	X1-X4
120/240	X2-X3	X1-X3-X4



LETTER	MOUNTING SLOTS INCHES / MM
	a b
S	0.25 x 0.500 6.4 x 12.7
T	0.25 x 0.625 6.4 x 15.9



DIMENSIONS INCHES / MM

VA	A	B	C	D	E	F	G	H	I	J	K	L	M	SHIP WEIGHT LBS / KG
50	2.82 71.6	5.13 130.3	3.13 79.5	2.25 57.2	2.50 63.5			2.25(T) 57.2	3.75(S) 95.3					3.25 1.5



MARCUS

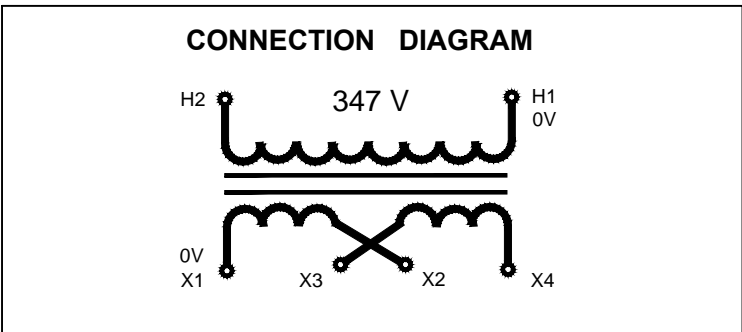
Marcus Transformer LTD
 Phone: 1-800-267-7376
 Fax: 1-866-205-7526
 Email: Info@marcustransformer.com

TECHNICAL DATA

SINGLE PHASE CONTROL TRANSFORMER

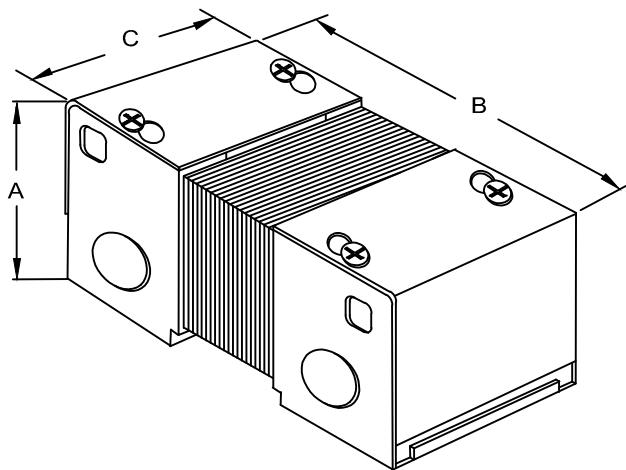
DESCRIPTION

MODEL	MC50I
Type	Enclosed, Indoor application
VA	50
Primary (Volts)	347
Secondary (Volts)	120 / 240
Input / Output Amps	0.14 / 0.42 , 0.21
Temperature Rise	95°C
Insulation Class	B (130°C)
Frequency	60Hz
Polarity	additive
Noise level	less than 40DB
Winding	Copper
Approvals	UL listed CSA approved

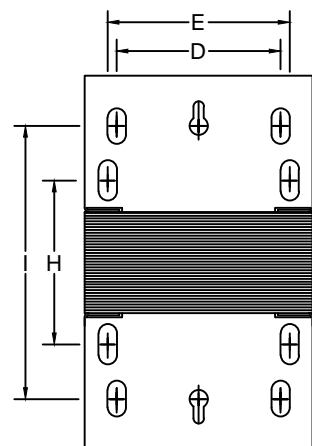
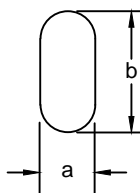


WIRING CONNECTION

PRIMARY :		
VOLTS 347	CONNECT LINES TO : H1-H2	
SECONDARY :		
VOLTS 120	INTERCONNECT: X1-X3 AND X2-X4	CONNECT LINES TO : X1-X4
240	X2-X3	X1-X4
120/240	X2-X3	X1-X3-X4



LETTER	MOUNTING SLOTS INCHES / MM
	a b
S	0.25 x 0.500 6.4 x 12.7
T	0.25 x 0.625 6.4 x 15.9



DIMENSIONS INCHES / MM

VA	A	B	C	D	E	F	G	H	I	J	K	L	M	SHIP WEIGHT LBS / KG
50	2.82 71.6	5.13 130.3	3.13 79.5	2.25 57.2	2.50 63.5			2.25(T) 57.2	3.75(S) 95.3					3.25 1.5

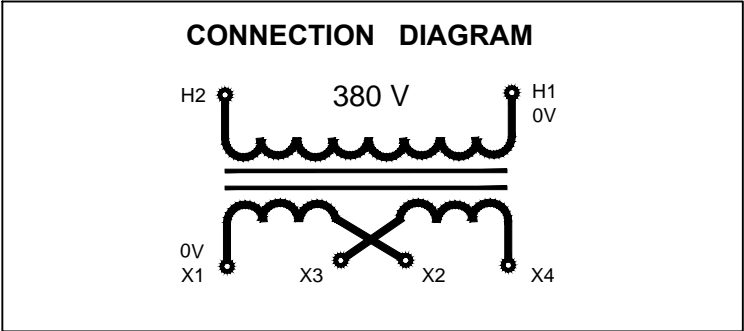


MARCUS

Marcus Transformer LTD
 Phone: 1-800-267-7376
 Fax: 1-866-205-7526
 Email: Info@marcustransformer.com

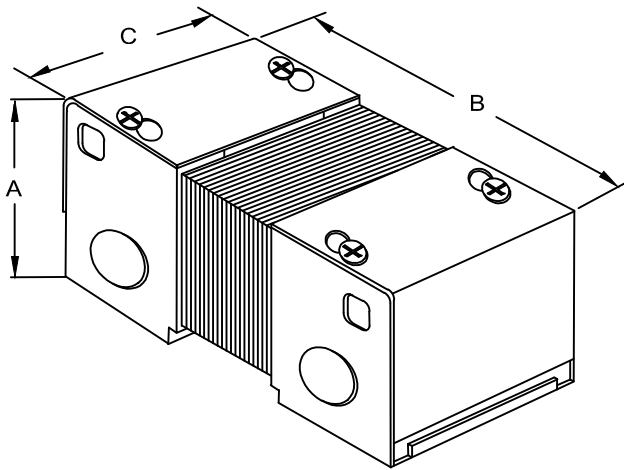
TECHNICAL DATA SINGLE PHASE CONTROL TRANSFORMER

DESCRIPTION	
MODEL	MC50J
Type	Enclosed, Indoor application
VA	50
Primary (Volts)	380
Secondary (Volts)	120 / 240
Input / Output Amps	0.13 / 0.42 , 0.21
Temperature Rise	95°C
Insulation Class	B (130°C)
Frequency	50 / 60Hz
Polarity	additive
Noise level	less than 40DB
Winding	Copper
Approvals	UL listed CSA approved

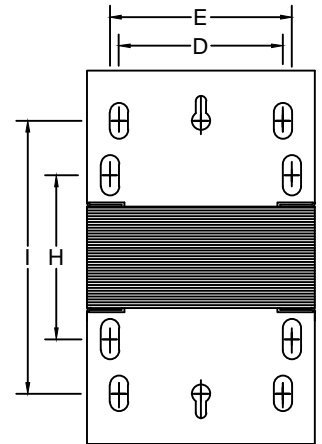
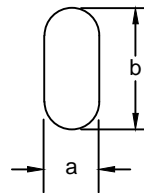


WIRING CONNECTION

PRIMARY :		
VOLTS	CONNECT LINES TO :	
380	H1-H2	
SECONDARY :		
VOLTS	INTERCONNECT:	CONNECT LINES TO :
120	X1-X3 AND X2-X4	X1-X4
240	X2-X3	X1-X4
120/240	X2-X3	X1-X3-X4



LETTER	MOUNTING SLOTS INCHES / MM
	a b
S	0.25 x 0.500 6.4 x 12.7
T	0.25 x 0.625 6.4 x 15.9



DIMENSIONS INCHES / MM

VA	A	B	C	D	E	F	G	H	I	J	K	L	M	SHIP WEIGHT LBS / KG
50	2.82 71.6	5.13 130.3	3.13 79.5	2.25 57.2	2.50 63.5			2.25(T) 57.2	3.75(S) 95.3					3.25 1.5



MARCUS

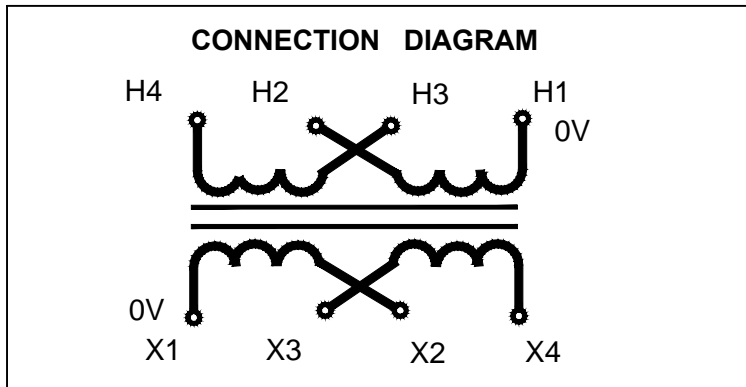
Marcus Transformer LTD
 Phone: 1-800-267-7376
 Fax: 1-866-205-7526
 Email: Info@marcustransformer.com

TECHNICAL DATA

SINGLE PHASE CONTROL TRANSFORMER

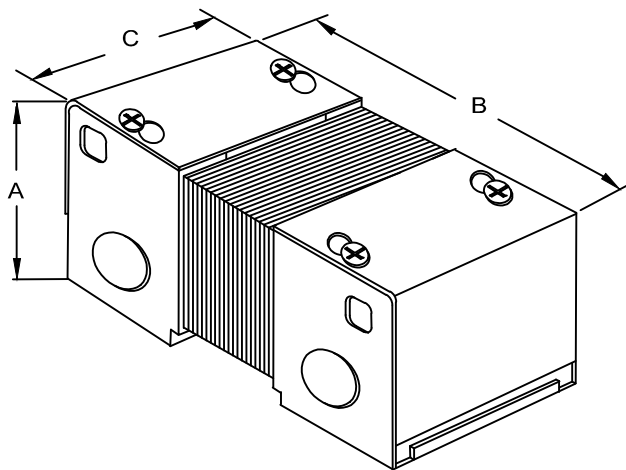
DESCRIPTION

MODEL	MC50K
Type	Enclosed, Indoor application
VA	50
Primary (Volts)	208 / 416
Secondary (Volts)	12 / 24
Input / Output Amps	0.24 , 0.12 / 4.17 , 2.08
Temperature Rise	95°C
Insulation Class	B (130°C)
Frequency	50 / 60Hz
Polarity	additive
Noise level	less than 40DB
Winding	Copper
Approvals	UL listed CSA approved

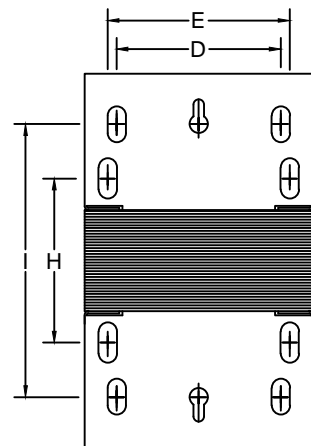
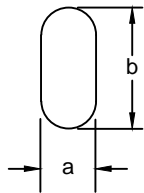


WIRING CONNECTION

PRIMARY :		
VOLTS	INTERCONNECT:	CONNECT LINES TO :
208	H1-H3 AND H2-H4	H1-H4
416	H2-H3	H1-H4
SECONDARY :		
VOLTS	INTERCONNECT:	CONNECT LINES TO :
12	X1-X3 AND X2-X4	X1-X4
24	X2-X3	X1-X4



LETTER	MOUNTING SLOTS INCHES / MM
	a b
S	0.25 x 0.500 6.4 x 12.7
T	0.25 x 0.625 6.4 x 15.9



DIMENSIONS INCHES / MM

VA	A	B	C	D	E	F	G	H	I	J	K	L	M	SHIP WEIGHT LBS / KG
50	2.82 71.6	5.13 130.3	3.13 79.5	2.25 57.2	2.50 63.5			2.25(T) 57.2	3.75(S) 95.3					3.25 1.5



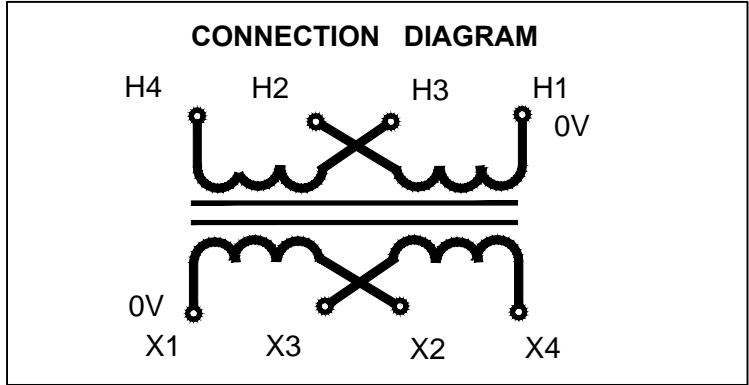
MARCUS

Marcus Transformer LTD
 Phone: 1-800-267-7376
 Fax: 1-866-205-7526
 Email: Info@marcustransformer.com

TECHNICAL DATA

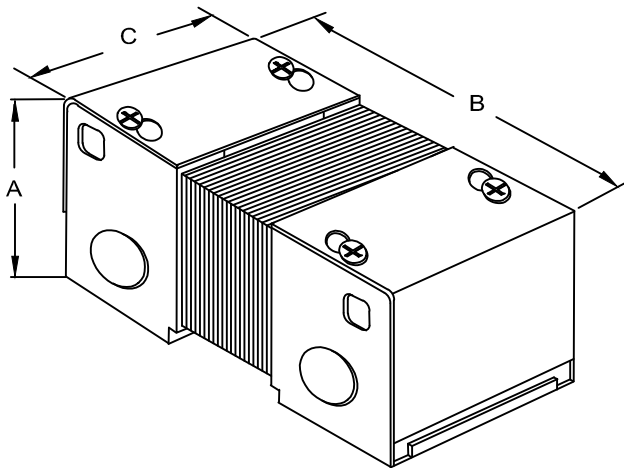
SINGLE PHASE CONTROL TRANSFORMER

DESCRIPTION	
MODEL	MC50L
Type	Enclosed, Indoor application
VA	50
Primary (Volts)	208 / 416
Secondary (Volts)	120 / 240
Input /Output Amps	0.24 , 0.12 / 0.42 , 0.21
Temperature Rise	95°C
Insulation Class	B (130°C)
Frequency	50 / 60Hz
Polarity	additive
Noise level	less than 40DB
Winding	Copper
Approvals	UL listed CSA approved

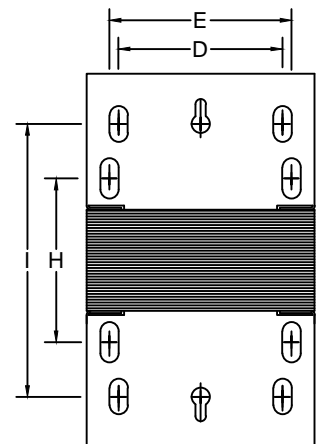
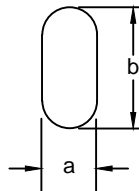


WIRING CONNECTION

PRIMARY :		
VOLTS	INTERCONNECT:	CONNECT LINES TO :
208	H1-H3 AND H2-H4	H1-H4
416	H2-H3	H1-H4
SECONDARY :		
VOLTS	INTERCONNECT:	CONNECT LINES TO :
120	X1-X3 AND X2-X4	X1-X4
240	X2-X3	X1-X4



LETTER	MOUNTING SLOTS INCHES / MM
	a b
S	0.25 x 0.500 6.4 x 12.7
T	0.25 x 0.625 6.4 x 15.9



DIMENSIONS INCHES / MM

VA	A	B	C	D	E	F	G	H	I	J	K	L	M	SHIP WEIGHT LBS / KG
50	2.82 71.6	5.13 130.3	3.13 79.5	2.25 57.2	2.50 63.5			2.25(T) 57.2	3.75(S) 95.3					3.25 1.5



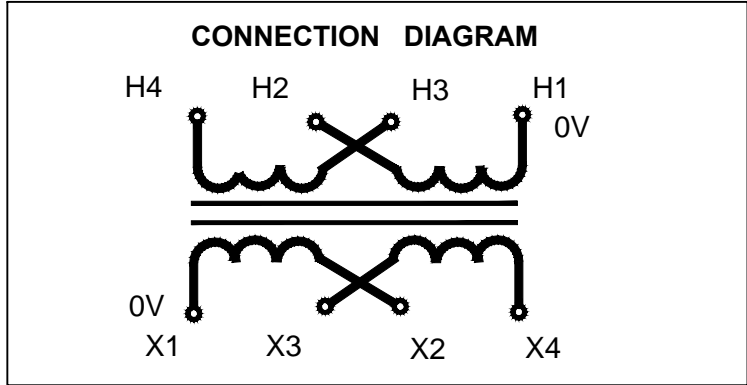
MARCUS

Marcus Transformer LTD
 Phone: 1-800-267-7376
 Fax: 1-866-205-7526
 Email: Info@marcustransformer.com

TECHNICAL DATA

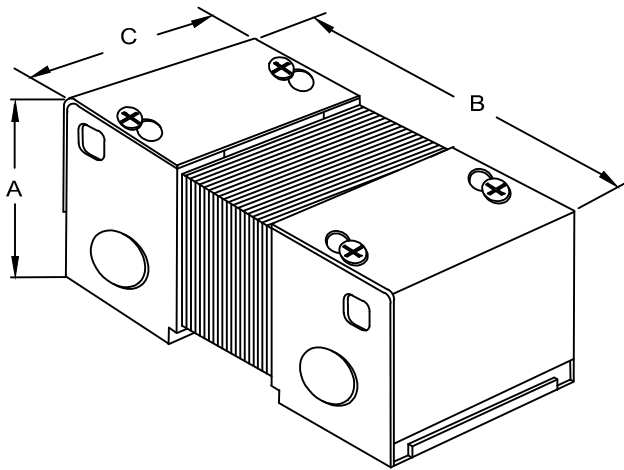
SINGLE PHASE CONTROL TRANSFORMER

DESCRIPTION	
MODEL	MC50M
Type	Enclosed, Indoor application
VA	50
Primary (Volts)	240 / 480
Secondary (Volts)	120 / 240
Input / Output Amps	0.21 , 0.10 / 0.42 , 0.21
Temperature Rise	95°C
Insulation Class	B (130°C)
Frequency	60Hz
Polarity	additive
Noise level	less than 40DB
Winding	Copper
Approvals	UL listed CSA approved

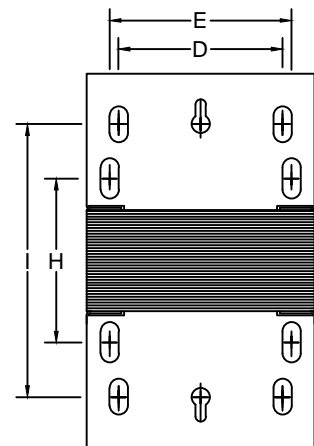
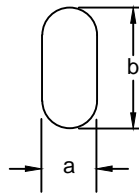


WIRING CONNECTION

PRIMARY :		
VOLTS	INTERCONNECT:	CONNECT LINES TO :
240	H1-H3 AND H2-H4	H1-H4
480	H2-H3	H1-H4
SECONDARY :		
VOLTS	INTERCONNECT:	CONNECT LINES TO :
120	X1-X3 AND X2-X4	X1-X4
240	X2-X3	X1-X4



LETTER	MOUNTING SLOTS INCHES / MM
	a b
S	0.25 x 0.500 6.4 x 12.7
T	0.25 x 0.625 6.4 x 15.9



DIMENSIONS INCHES / MM

VA	A	B	C	D	E	F	G	H	I	J	K	L	M	SHIP WEIGHT LBS / KG
50	2.82 71.6	5.13 130.3	3.13 79.5	2.25 57.2	2.50 63.5			2.25(T) 57.2	3.75(S) 95.3					3.25 1.5



MARCUS

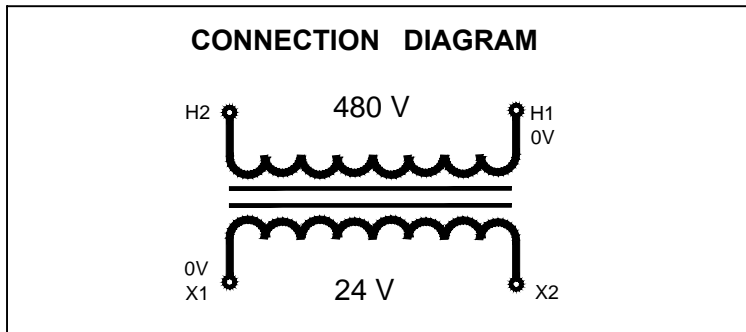
Marcus Transformer LTD
 Phone: 1-800-267-7376
 Fax: 1-866-205-7526
 Email: Info@marcustransformer.com

TECHNICAL DATA

SINGLE PHASE CONTROL TRANSFORMER

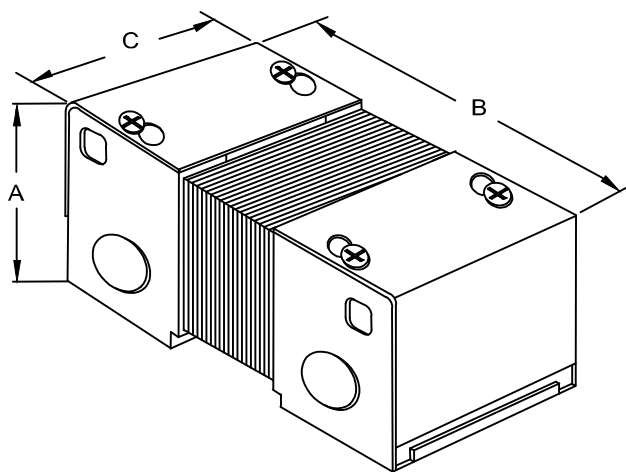
DESCRIPTION

MODEL	MC50N
Type	Enclosed, Indoor application
VA	50
Primary (Volts)	480
Secondary (Volts)	24
Input /Output Amps	0.10 / 2.08
Temperature Rise	95°C
Insulation Class	B (130°C)
Frequency	60Hz
Polarity	additive
Noise level	less than 40DB
Winding	Copper
Approvals	UL listed CSA approved

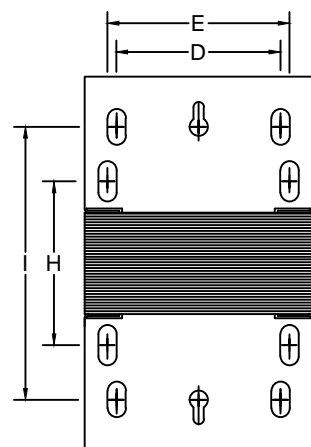
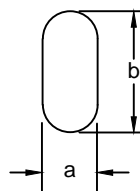


WIRING CONNECTION

PRIMARY :	
VOLTS 480	CONNECT LINES TO : H1-H2
SECONDARY :	
VOLTS 24	CONNECT LINES TO : X1-X2



LETTER	MOUNTING SLOTS INCHES / MM a b
S	0.25 x 0.500 6.4 x 12.7
T	0.25 x 0.625 6.4 x 15.9



DIMENSIONS INCHES / MM

VA	A	B	C	D	E	F	G	H	I	J	K	L	M	SHIP WEIGHT LBS / KG
50	2.82 71.6	5.13 130.3	3.13 79.5	2.25 57.2	2.50 63.5			2.25(T) 57.2	3.75(S) 95.3					3.25 1.5



MARCUS

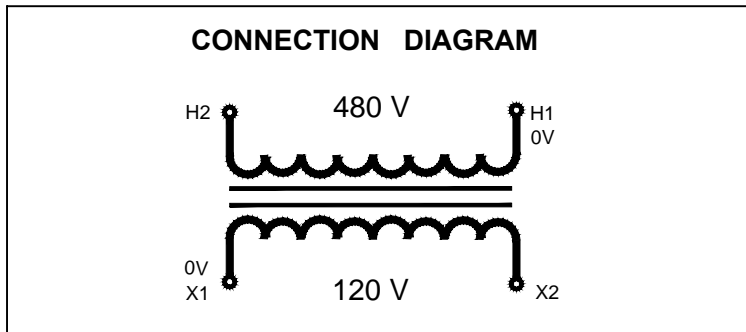
Marcus Transformer LTD
 Phone: 1-800-267-7376
 Fax: 1-866-205-7526
 Email: Info@marcustransformer.com

TECHNICAL DATA

SINGLE PHASE CONTROL TRANSFORMER

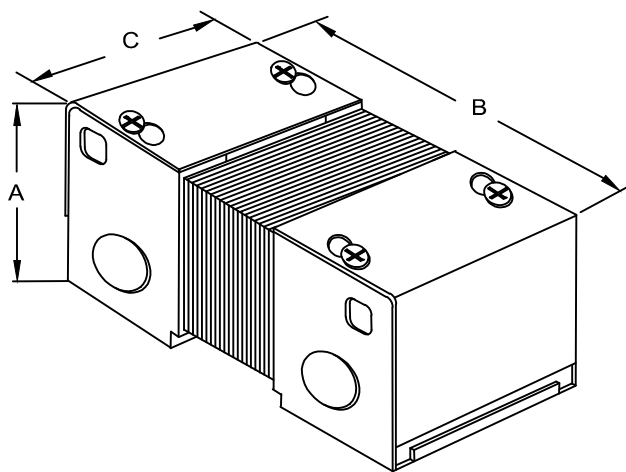
DESCRIPTION

MODEL	MC500
Type	Enclosed, Indoor application
VA	50
Primary (Volts)	480
Secondary (Volts)	120
Input /Output Amps	0.10 / 0.42
Temperature Rise	95°C
Insulation Class	B (130°C)
Frequency	60Hz
Polarity	additive
Noise level	less than 40DB
Winding	Copper
Approvals	UL listed CSA approved

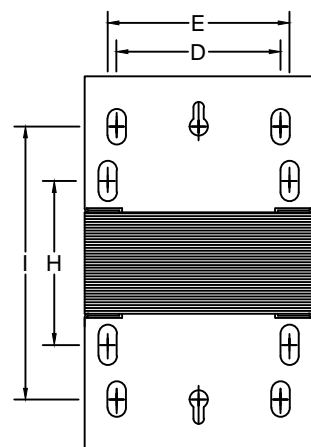
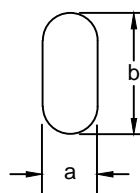


WIRING CONNECTION

PRIMARY :	
VOLTS 480	CONNECT LINES TO : H1-H2
SECONDARY :	
VOLTS 120	CONNECT LINES TO : X1-X2



LETTER	MOUNTING SLOTS INCHES / MM a b
S	0.25 x 0.500 6.4 x 12.7
T	0.25 x 0.625 6.4 x 15.9



DIMENSIONS INCHES / MM

VA	A	B	C	D	E	F	G	H	I	J	K	L	M	SHIP WEIGHT LBS / KG
50	2.82 71.6	5.13 130.3	3.13 79.5	2.25 57.2	2.50 63.5			2.25(T) 57.2	3.75(S) 95.3					3.25 1.5

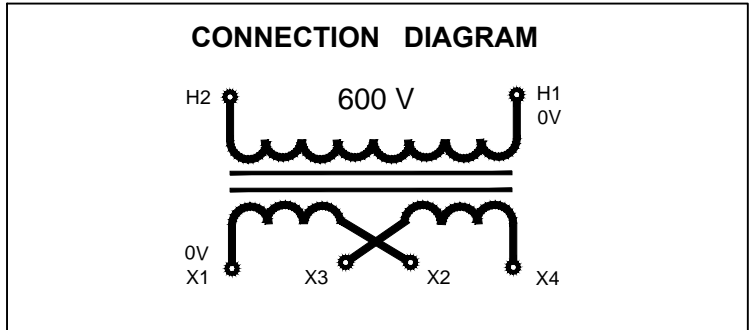


MARCUS

Marcus Transformer LTD
 Phone: 1-800-267-7376
 Fax: 1-866-205-7526
 Email: Info@marcustransformer.com

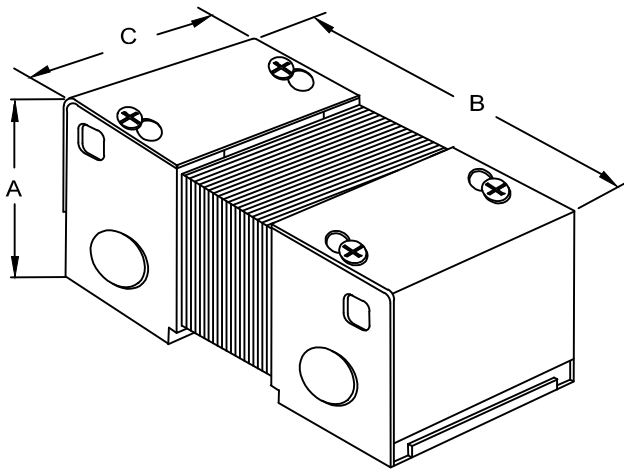
TECHNICAL DATA SINGLE PHASE CONTROL TRANSFORMER

DESCRIPTION	
MODEL	MC50P
Type	Enclosed, Indoor application
VA	50
Primary (Volts)	600
Secondary (Volts)	12 / 24
Input / Output Amps	0.08 / 4.17 , 2.08
Temperature Rise	95°C
Insulation Class	B (130°C)
Frequency	60Hz
Polarity	additive
Noise level	less than 40DB
Winding	Copper
Approvals	UL listed CSA approved

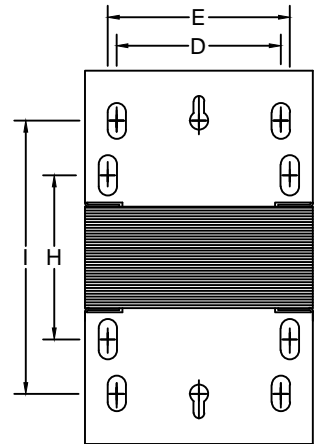
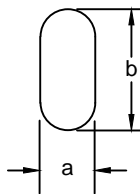


WIRING CONNECTION

PRIMARY :		
VOLTS	CONNECT LINES TO :	
600	H1-H2	
SECONDARY :		
VOLTS	INTERCONNECT:	CONNECT LINES TO :
12	X1-X3 AND X2-X4	X1-X4
24	X2-X3	X1-X4
12/24	X2-X3	X1-X3-X4



LETTER	MOUNTING SLOTS INCHES / MM
	a b
S	0.25 x 0.500 6.4 x 12.7
T	0.25 x 0.625 6.4 x 15.9



DIMENSIONS INCHES / MM

VA	A	B	C	D	E	F	G	H	I	J	K	L	M	SHIP WEIGHT LBS / KG
50	2.82 71.6	5.13 130.3	3.13 79.5	2.25 57.2	2.50 63.5			2.25(T) 57.2	3.75(S) 95.3					3.25 1.5



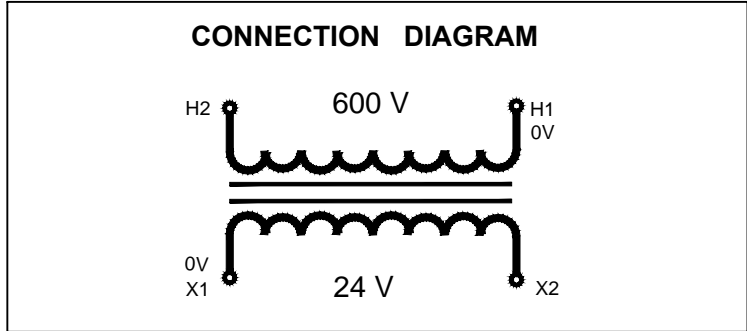
MARCUS

Marcus Transformer LTD
 Phone: 1-800-267-7376
 Fax: 1-866-205-7526
 Email: Info@marcustransformer.com

TECHNICAL DATA

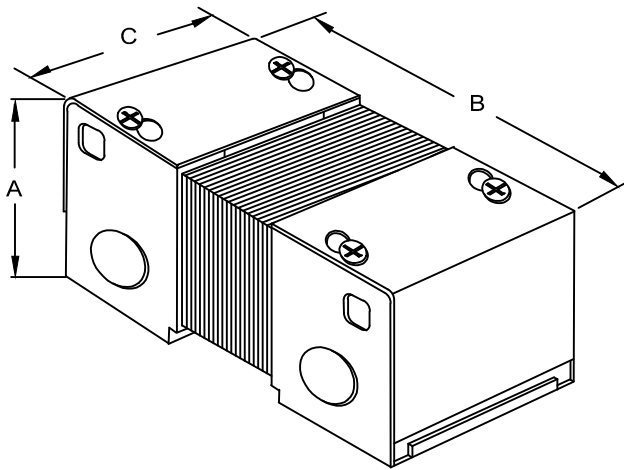
SINGLE PHASE CONTROL TRANSFORMER

DESCRIPTION	
MODEL	MC50Q
Type	Enclosed, Indoor application
VA	50
Primary (Volts)	600
Secondary (Volts)	24
Input /Output Amps	0.08 / 2.08
Temperature Rise	95°C
Insulation Class	B (130°C)
Frequency	60Hz
Polarity	additive
Noise level	less than 40DB
Winding	Copper
Approvals	UL listed CSA approved

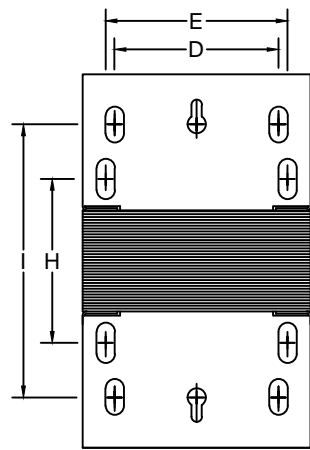
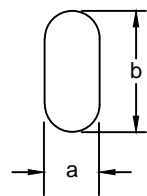


WIRING CONNECTION

PRIMARY :	
VOLTS	CONNECT LINES TO :
600	H1-H2
SECONDARY :	
VOLTS	CONNECT LINES TO :
24	X1-X2



LETTER	MOUNTING SLOTS
	INCHES / MM
	a b
S	0.25 x 0.500 6.4 x 12.7
T	0.25 x 0.625 6.4 x 15.9



DIMENSIONS INCHES / MM

VA	A	B	C	D	E	F	G	H	I	J	K	L	M	SHIP WEIGHT LBS / KG
50	2.82 71.6	5.13 130.3	3.13 79.5	2.25 57.2	2.50 63.5			2.25(T) 57.2	3.75(S) 95.3					3.25 1.5



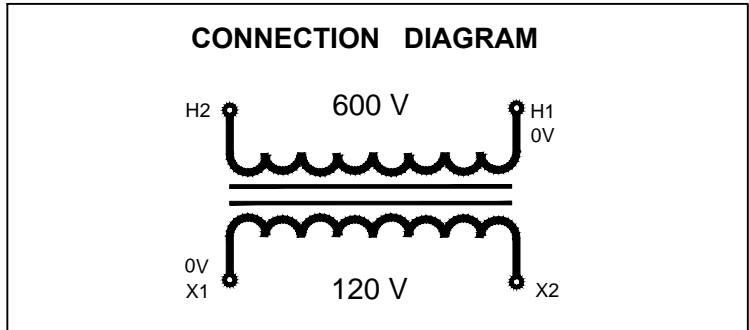
MARCUS

Marcus Transformer LTD
 Phone: 1-800-267-7376
 Fax: 1-866-205-7526
 Email: Info@marcustransformer.com

TECHNICAL DATA

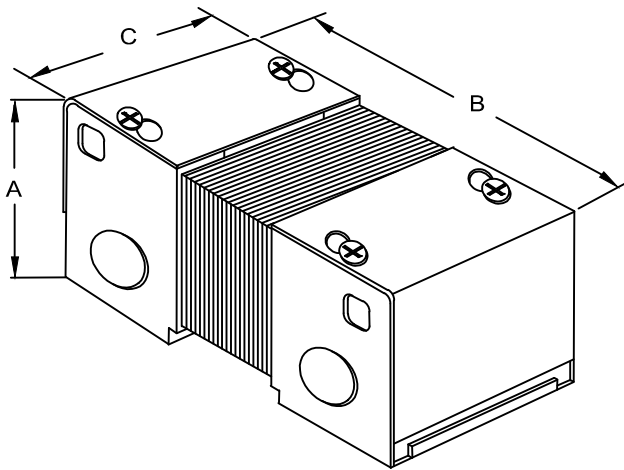
SINGLE PHASE CONTROL TRANSFORMER

DESCRIPTION	
MODEL	MC50R
Type	Enclosed, Indoor application
VA	50
Primary (Volts)	600
Secondary (Volts)	120
Input /Output Amps	0.08 / 0.42
Temperature Rise	95°C
Insulation Class	B (130°C)
Frequency	60Hz
Polarity	additive
Noise level	less than 40DB
Winding	Copper
Approvals	UL listed CSA approved

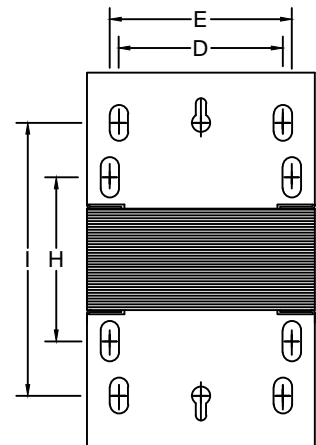
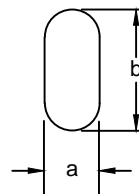


WIRING CONNECTION

PRIMARY :	
VOLTS	CONNECT LINES TO :
600	H1-H2
SECONDARY :	
VOLTS	CONNECT LINES TO :
120	X1-X2



LETTER	MOUNTING SLOTS INCHES / MM
	a b
S	0.25 x 0.500 6.4 x 12.7
T	0.25 x 0.625 6.4 x 15.9



DIMENSIONS INCHES / MM

VA	A	B	C	D	E	F	G	H	I	J	K	L	M	SHIP WEIGHT LBS / KG
50	2.82 71.6	5.13 130.3	3.13 79.5	2.25 57.2	2.50 63.5			2.25(T) 57.2	3.75(S) 95.3					3.25 1.5



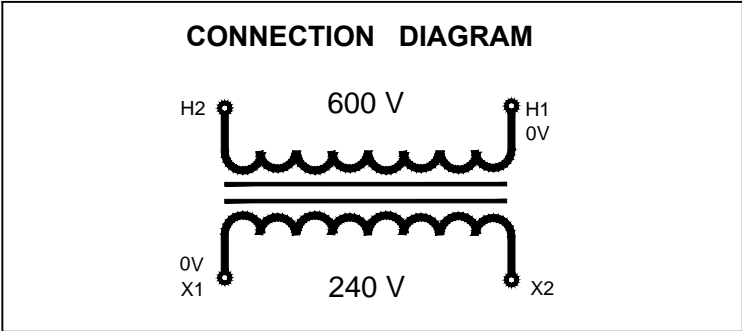
MARCUS

Marcus Transformer LTD
 Phone: 1-800-267-7376
 Fax: 1-866-205-7526
 Email: Info@marcustransformer.com

TECHNICAL DATA

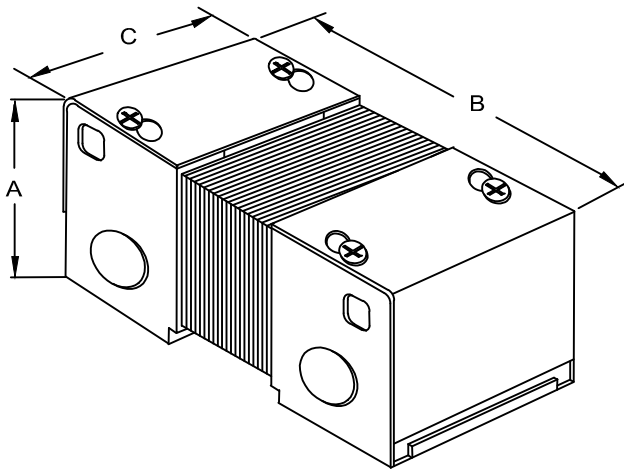
SINGLE PHASE CONTROL TRANSFORMER

DESCRIPTION	
MODEL	MC50S
Type	Enclosed, Indoor application
VA	50
Primary (Volts)	600
Secondary (Volts)	240
Input /Output Amps	0.08 / 0.21
Temperature Rise	95°C
Insulation Class	B (130°C)
Frequency	60Hz
Polarity	additive
Noise level	less than 40DB
Winding	Copper
Approvals	UL listed CSA approved

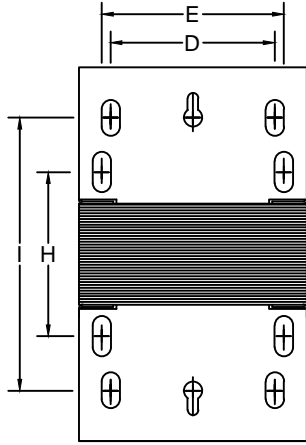
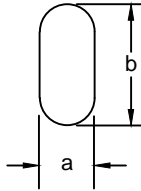


WIRING CONNECTION

PRIMARY :	
VOLTS	CONNECT LINES TO :
600	H1-H2
SECONDARY :	
VOLTS	CONNECT LINES TO :
240	X1-X2



LETTER	MOUNTING SLOTS
	INCHES / MM
	a b
S	0.25 x 0.500 6.4 x 12.7
T	0.25 x 0.625 6.4 x 15.9



DIMENSIONS INCHES / MM

VA	A	B	C	D	E	F	G	H	I	J	K	L	M	SHIP WEIGHT LBS / KG
50	2.82 71.6	5.13 130.3	3.13 79.5	2.25 57.2	2.50 63.5			2.25(T) 57.2	3.75(S) 95.3					3.25 1.5



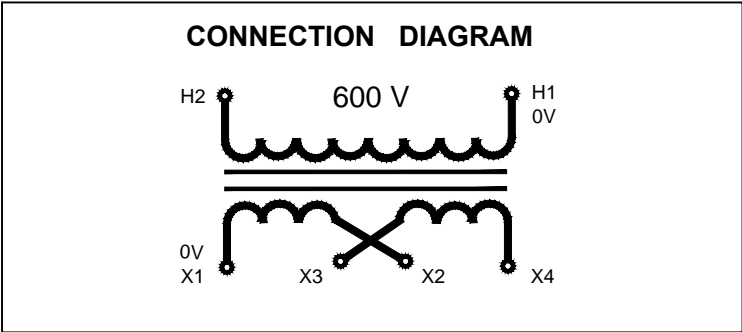
MARCUS

Marcus Transformer LTD
 Phone: 1-800-267-7376
 Fax: 1-866-205-7526
 Email: Info@marcustransformer.com

TECHNICAL DATA

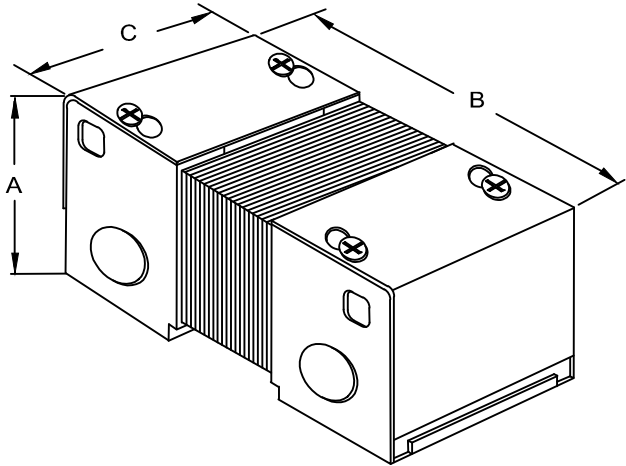
SINGLE PHASE CONTROL TRANSFORMER

DESCRIPTION	
MODEL	MC50T
Type	Enclosed, Indoor application
VA	50
Primary (Volts)	600
Secondary (Volts)	120 / 240
Input / Output Amps	0.08 / 0.42 , 0.21
Temperature Rise	95°C
Insulation Class	B (130°C)
Frequency	60Hz
Polarity	additive
Noise level	less than 40DB
Winding	Copper
Approvals	UL listed CSA approved

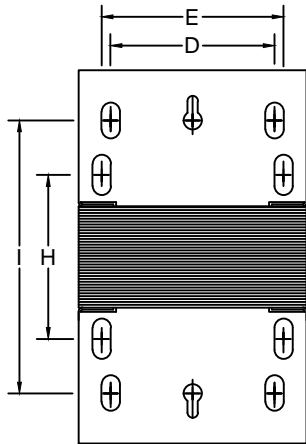
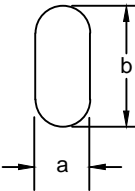


WIRING CONNECTION

PRIMARY :		
VOLTS	CONNECT LINES TO :	
600	H1-H2	
SECONDARY :		
VOLTS	INTERCONNECT:	CONNECT LINES TO :
120	X1-X3 AND X2-X4	X1-X4
240	X2-X3	X1-X4
120/240	X2-X3	X1-X3-X4



LETTER	MOUNTING SLOTS INCHES / MM
	a b
S	0.25 x 0.500 6.4 x 12.7
T	0.25 x 0.625 6.4 x 15.9



DIMENSIONS INCHES / MM

VA	A	B	C	D	E	F	G	H	I	J	K	L	M	SHIP WEIGHT LBS / KG
50	2.82 71.6	5.13 130.3	3.13 79.5	2.25 57.2	2.50 63.5			2.25(T) 57.2	3.75(S) 95.3					3.25 1.5



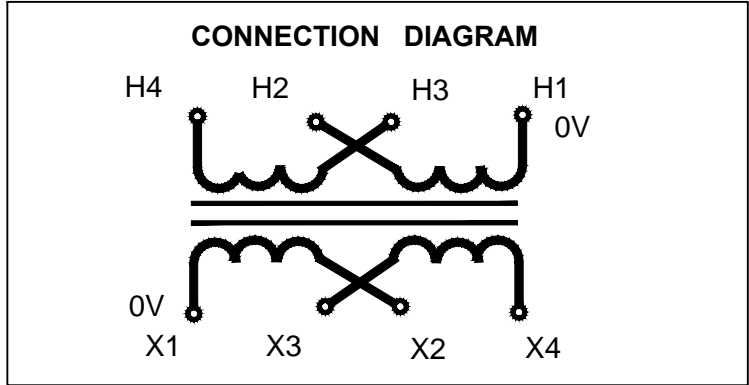
MARCUS

Marcus Transformer LTD
 Phone: 1-800-267-7376
 Fax: 1-866-205-7526
 Email: Info@marcustransformer.com

TECHNICAL DATA

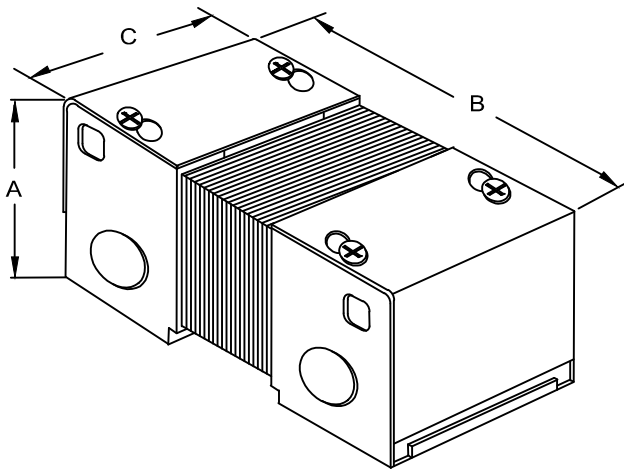
SINGLE PHASE CONTROL TRANSFORMER

DESCRIPTION	
MODEL	MC50U
Type	Enclosed, Indoor application
VA	50
Primary (Volts)	120 / 240
Secondary (Volts)	120 / 240
Input / Output Amps	0.42 , 0.21 / 0.42 , 0.21
Temperature Rise	95°C
Insulation Class	B (130°C)
Frequency	50 / 60Hz
Polarity	additive
Noise level	less than 40DB
Winding	Copper
Approvals	UL listed CSA approved

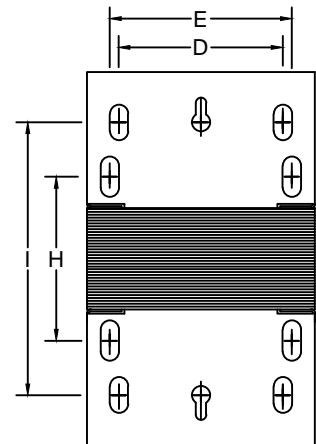
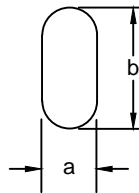


WIRING CONNECTION

PRIMARY :		
VOLTS	INTERCONNECT:	CONNECT LINES TO :
120	H1-H3 AND H2-H4	H1-H4
240	H2-H3	H1-H4
SECONDARY :		
VOLTS	INTERCONNECT:	CONNECT LINES TO :
120	X1-X3 AND X2-X4	X1-X4
240	X2-X3	X1-X4



LETTER	MOUNTING SLOTS INCHES / MM
	a b
S	0.25 x 0.500 6.4 x 12.7
T	0.25 x 0.625 6.4 x 15.9



DIMENSIONS INCHES / MM

VA	A	B	C	D	E	F	G	H	I	J	K	L	M	SHIP WEIGHT LBS / KG
50	2.82 71.6	5.13 130.3	3.13 79.5	2.25 57.2	2.50 63.5			2.25(T) 57.2	3.75(S) 95.3					3.25 1.5



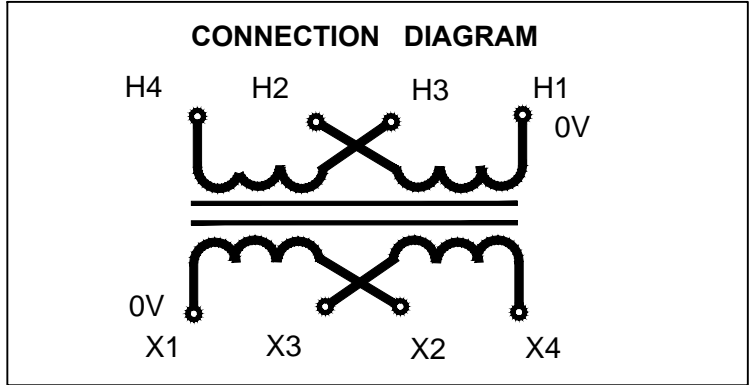
MARCUS

Marcus Transformer LTD
 Phone: 1-800-267-7376
 Fax: 1-866-205-7526
 Email: Info@marcustransformer.com

TECHNICAL DATA

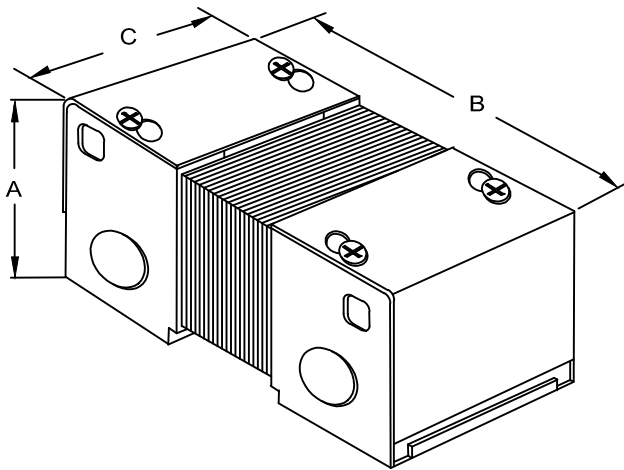
SINGLE PHASE CONTROL TRANSFORMER

DESCRIPTION	
MODEL	MC50V
Type	Enclosed, Indoor application
VA	50
Primary (Volts)	120 / 240
Secondary (Volts)	12 / 24
Input / Output Amps	0.42 , 0.21 / 4.17 , 2.08
Temperature Rise	95°C
Insulation Class	B (130°C)
Frequency	50 / 60Hz
Polarity	additive
Noise level	less than 40DB
Winding	Copper
Approvals	UL listed CSA approved

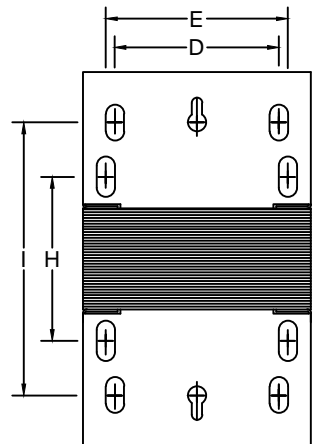
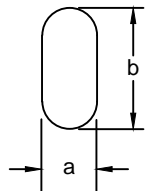


WIRING CONNECTION

PRIMARY :		
VOLTS	INTERCONNECT:	CONNECT LINES TO :
120	H1-H3 AND H2-H4	H1-H4
240	H2-H3	H1-H4
SECONDARY :		
VOLTS	INTERCONNECT:	CONNECT LINES TO :
12	X1-X3 AND X2-X4	X1-X4
24	X2-X3	X1-X4



LETTER	MOUNTING SLOTS INCHES / MM
	a b
S	0.25 x 0.500 6.4 x 12.7
T	0.25 x 0.625 6.4 x 15.9



DIMENSIONS INCHES / MM

VA	A	B	C	D	E	F	G	H	I	J	K	L	M	SHIP WEIGHT LBS / KG
50	2.82 71.6	5.13 130.3	3.13 79.5	2.25 57.2	2.50 63.5			2.25(T) 57.2	3.75(S) 95.3					3.25 1.5



MARCUS

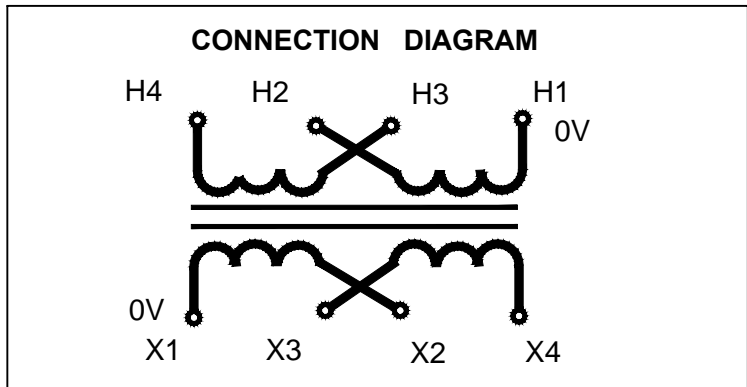
Marcus Transformer LTD
 Phone: 1-800-267-7376
 Fax: 1-866-205-7526
 Email: Info@marcustransformer.com

TECHNICAL DATA

SINGLE PHASE CONTROL TRANSFORMER

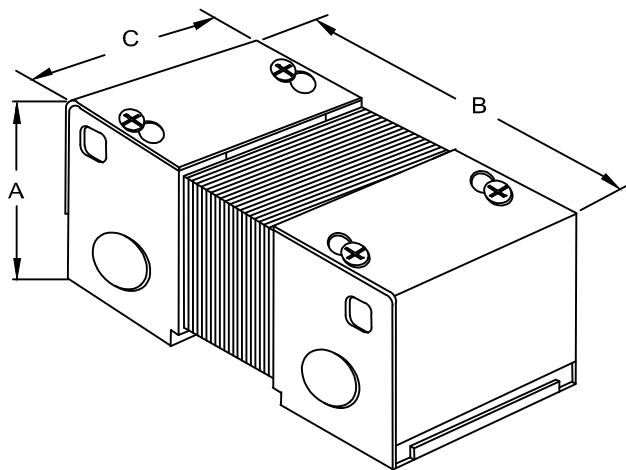
DESCRIPTION

MODEL	MC50W
Type	Enclosed, Indoor application
VA	50
Primary (Volts)	120 / 240
Secondary (Volts)	16 / 32
Input / Output Amps	0.42 , 0.21 / 3.13 , 1.56
Temperature Rise	95°C
Insulation Class	B (130°C)
Frequency	50 / 60Hz
Polarity	additive
Noise level	less than 40DB
Winding	Copper
Approvals	UL listed CSA approved

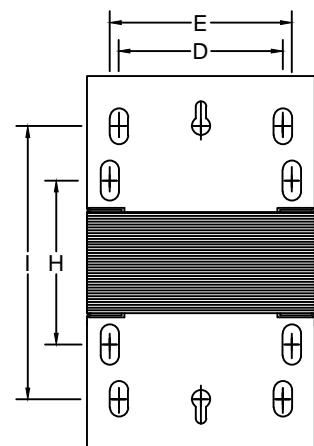
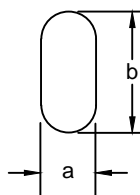


WIRING CONNECTION

PRIMARY :		
VOLTS	INTERCONNECT:	CONNECT LINES TO :
120	H1-H3 AND H2-H4	H1-H4
240	H2-H3	H1-H4
SECONDARY :		
VOLTS	INTERCONNECT:	CONNECT LINES TO :
16	X1-X3 AND X2-X4	X1-X4
32	X2-X3	X1-X4



LETTER	MOUNTING SLOTS INCHES / MM
	a b
S	0.25 x 0.500 6.4 x 12.7
T	0.25 x 0.625 6.4 x 15.9



DIMENSIONS INCHES / MM

VA	A	B	C	D	E	F	G	H	I	J	K	L	M	SHIP WEIGHT LBS / KG
50	2.82 71.6	5.13 130.3	3.13 79.5	2.25 57.2	2.50 63.5			2.25(T) 57.2	3.75(S) 95.3					3.25 1.5

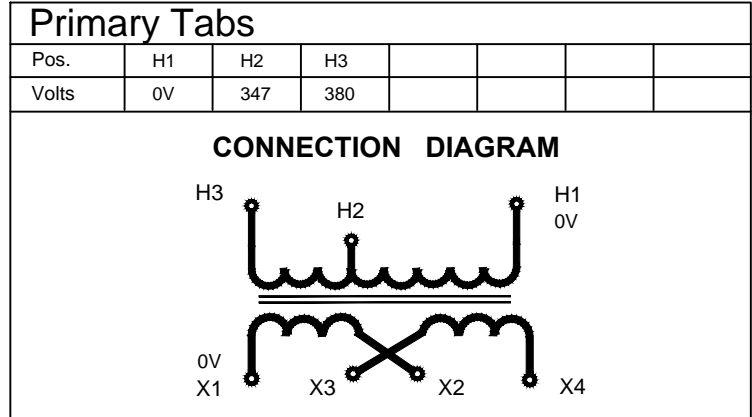


MARCUS

Marcus Transformer LTD
 Phone: 1-800-267-7376
 Fax: 1-866-205-7526
 Email: Info@marcustransformer.com

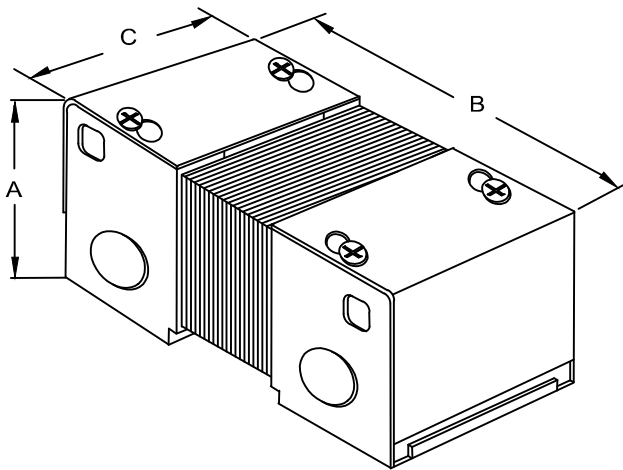
TECHNICAL DATA SINGLE PHASE CONTROL TRANSFORMER

DESCRIPTION	
MODEL	MC50X
Type	Enclosed, Indoor application
VA	50
Primary (Volts)	347 / 380
Secondary (Volts)	12 / 24
Input /Output Amps	0.14 , 0.13 / 4.17 , 2.08
Temperature Rise	95°C
Insulation Class	B (130°C)
Frequency	50 / 60Hz
Polarity	additive
Noise level	less than 40DB
Winding	Copper
Approvals	UL listed CSA approved

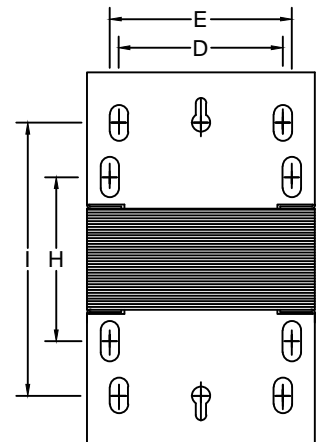
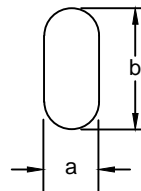


WIRING CONNECTION

PRIMARY :		
VOLTS	CONNECT LINES TO :	
347	H1-H2	
380	H1-H3	
SECONDARY :		
VOLTS	INTERCONNECT:	CONNECT LINES TO :
12	X1-X3 AND X2-X4	X1-X4
24	X2-X3	X1-X4



LETTER	MOUNTING SLOTS INCHES / MM
	a b
S	0.25 x 0.500 6.4 x 12.7
T	0.25 x 0.625 6.4 x 15.9



DIMENSIONS INCHES / MM

VA	A	B	C	D	E	F	G	H	I	J	K	L	M	SHIP WEIGHT LBS / KG
50	2.82 71.6	5.13 130.3	3.13 79.5	2.25 57.2	2.50 63.5			2.25(T) 57.2	3.75(S) 95.3					3.25 1.5