



MARCUS

Marcus Transformer LTD
 Phone: 1-800-267-7376
 Fax: 1-866-205-7526
 Email: Info@marcustransformer.com

TECHNICAL DATA MODEL:MS 37.5A2-CC 1-PHASE ISOLATING

DESCRIPTION	
Type	DRY TYPE DISTRIBUTION (ANN)
KVA	37.5
Primary (Volts)	600
Secondary (Volts)	120 / 240
Phase	1
Enclosure	Core and Coil
Impedance (%z)	3.9
Insulation Class	220°C
Temperature Rise	150°C
Frequency	60Hz
Weight (LBS/KG)	250 / 112
Polarity	Additive
BIL.	10KV

Primary connectors per phase : #2/0-10
Secondary connectors per phase: 250MCM-#6

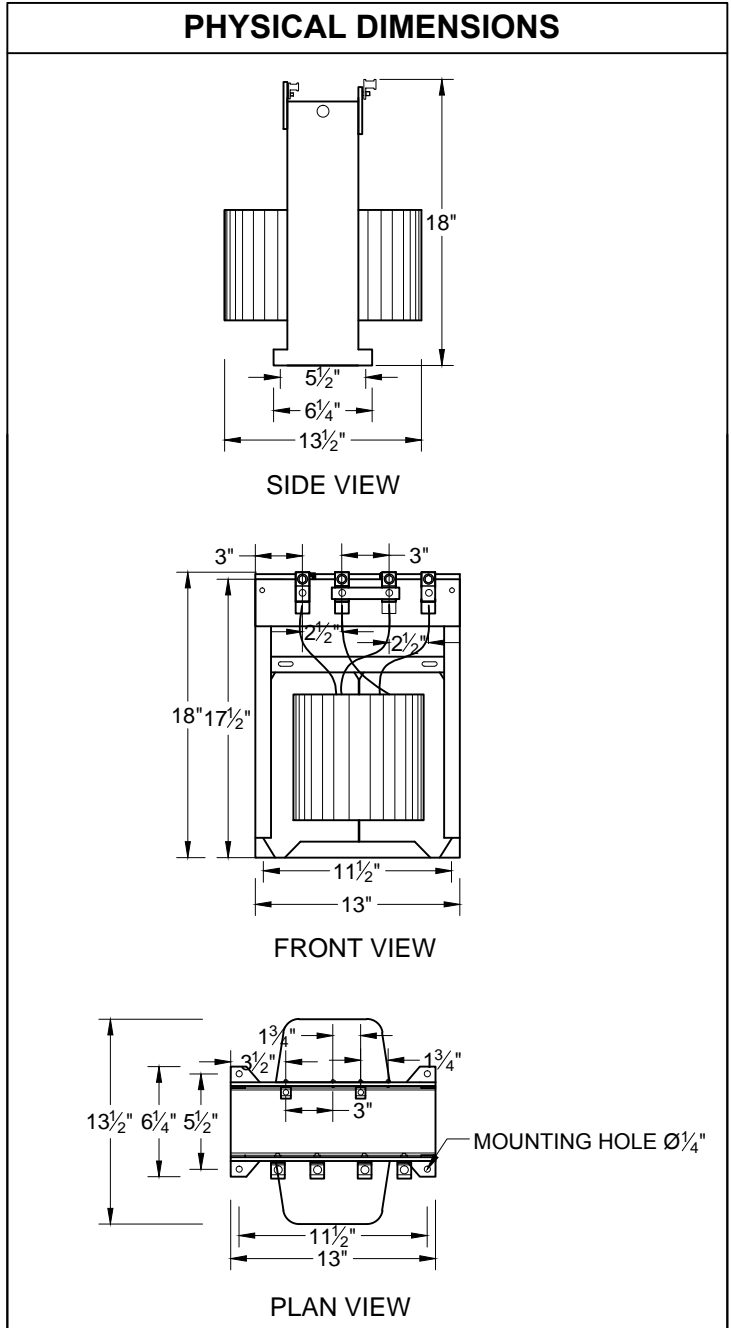
PERFORMANCE	
No load loss	104W
Total loss	980W
Noise level	45dB

Efficiency = 98.2% (As per CSA C802.2 & NEMA TP-1)

FEATURES:

- Ground lug provided
- Leads brought-up and solidly positioned into separate terminal boards
- Transformer meets the efficiency values as per CSA C802.2 / NEMA TP-1
- CSA certified / UR listed
- Copper windings

Customer / PO	
Project	
Engineer	
Contractor	
Revision Date	



COMMENTS