



MARCUS

Marcus Transformer LTD
 Phone: 1-800-267-7376
 Fax: 1-866-205-7526
 Email: Info@marcustransformer.com

TECHNICAL DATA MODEL:MS 25A2-CC

1-PHASE ISOLATING

DESCRIPTION	
Type	DRY TYPE DISTRIBUTION (ANN)
KVA	25
Primary (Volts)	600
Secondary (Volts)	120 / 240
Phase	1
Enclosure	Core and Coil
Impedance (%z)	4.0
Insulation Class	220°C
Temperature Rise	150°C
Frequency	60Hz
Weight (LBS/KG)	200 / 90
Polarity	Additive
BIL.	10KV

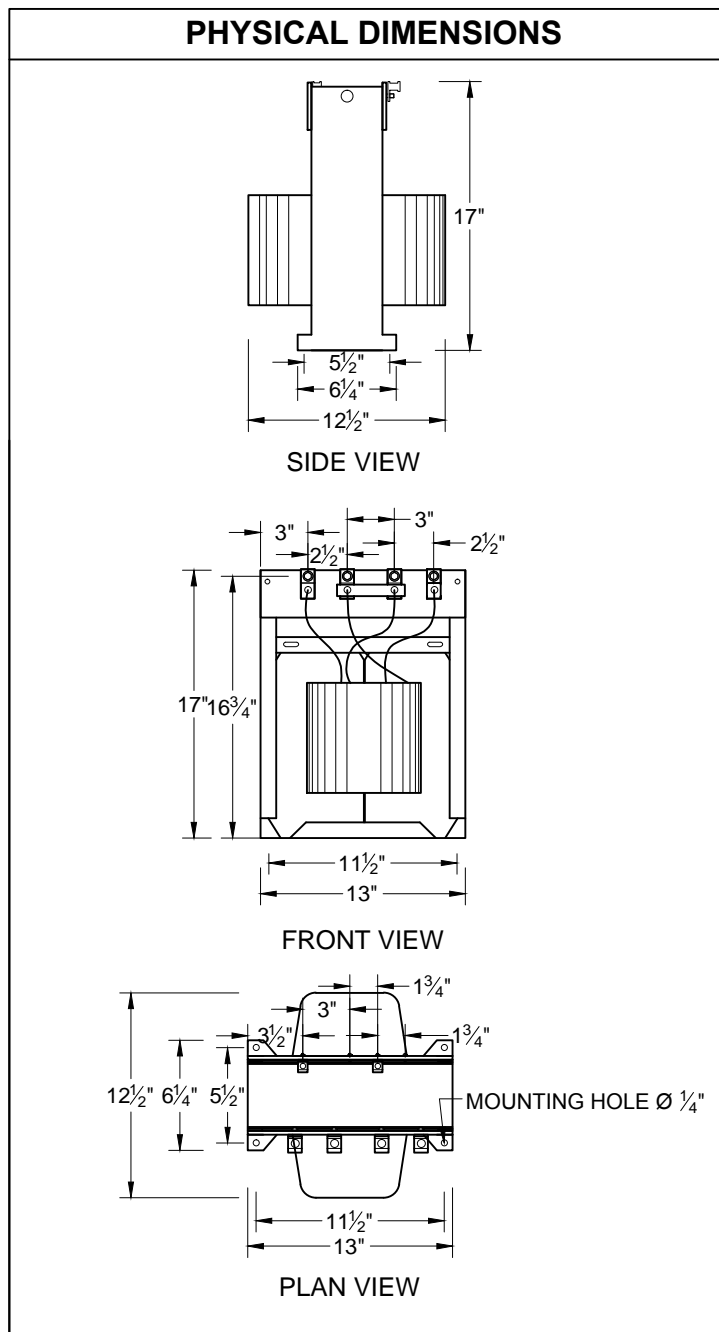
Primary connectors per phase : #10-2/0
Secondary connectors per phase: #10-2/0

PERFORMANCE	
No load loss	88W
Total loss	670W
Noise level	45dB

Efficiency = 98.0% (As per CSA C802.2 & NEMA TP-1)

FEATURES:

- Ground lug provided
- Leads brought-up and solidly positioned into separate terminal boards
- Transformer meets the efficiency values as per CSA C802.2 / NEMA TP-1
- CSA certified / UR listed
- Copper windings



Customer / PO	
Project	
Engineer	
Contractor	
Revision Date	

COMMENTS