



MARCUS

Marcus Transformer LTD
 Phone: 1-800-267-7376
 Fax: 1-866-205-7526
 Email: Info@marcustransformer.com

TECHNICAL DATA MODEL:MS 15A2-CC [1-PHASE ISOLATING]

| DESCRIPTION | |
|-------------------|-----------------------------|
| Type | DRY TYPE DISTRIBUTION (ANN) |
| KVA | 15 |
| Primary (Volts) | 600 |
| Secondary (Volts) | 120 / 240 |
| Phase | 1 |
| Enclosure | Core and Coil |
| Impedance (%z) | 4.8 |
| Insulation Class | 220°C |
| Temperature Rise | 150°C |
| Frequency | 60Hz |
| Weight (LBS/KG) | 130 / 59 |
| Polarity | Additive |
| BIL. | 10KV |

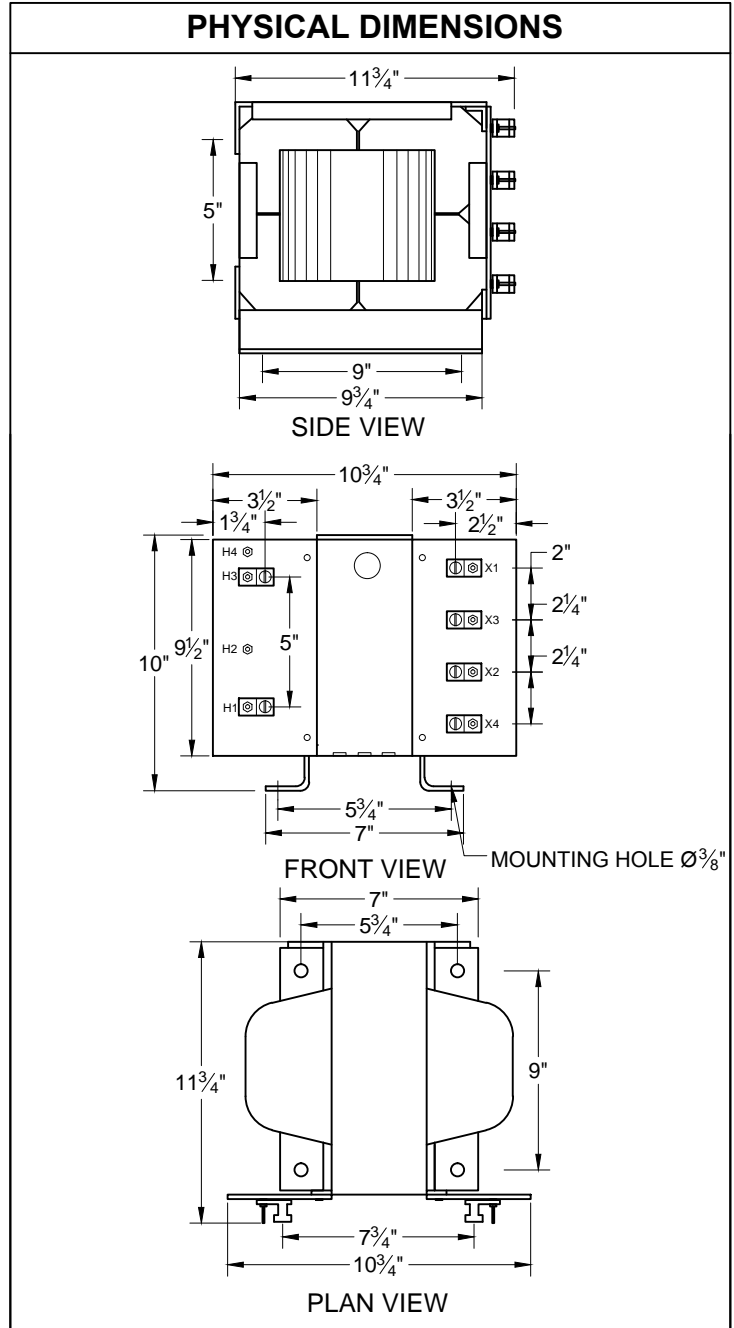
| |
|---|
| Primary connectors per phase : #14-2 |
| Secondary connectors per phase: #10-2/0 |

| PERFORMANCE | |
|--------------|------|
| No load loss | 47W |
| Total loss | 685W |
| Noise level | 45dB |

Efficiency = 97.6% (As per CSA C802.2 & NEMA TP-1)

FEATURES:

- Ground lug provided
- Leads brought-up and solidly positioned into separate terminal boards
- Transformer meets the efficiency values as per CSA C802.2 / NEMA TP-1
- CSA certified / UR listed
- Copper windings



| | |
|---------------|--|
| Customer / PO | |
| Project | |
| Engineer | |
| Contractor | |
| Revision Date | |

| COMMENTS |
|----------|
| |