



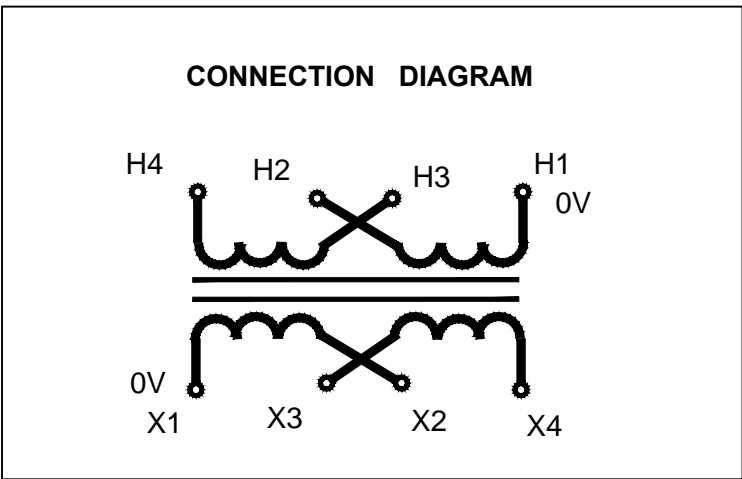
# MARCUS

Marcus Transformer LTD  
 Phone: 1-800-267-7376  
 Fax: 1-866-205-7526  
 Email: Info@marcustransformer.com

## TECHNICAL DATA SINGLE PHASE CONTROL TRANSFORMER

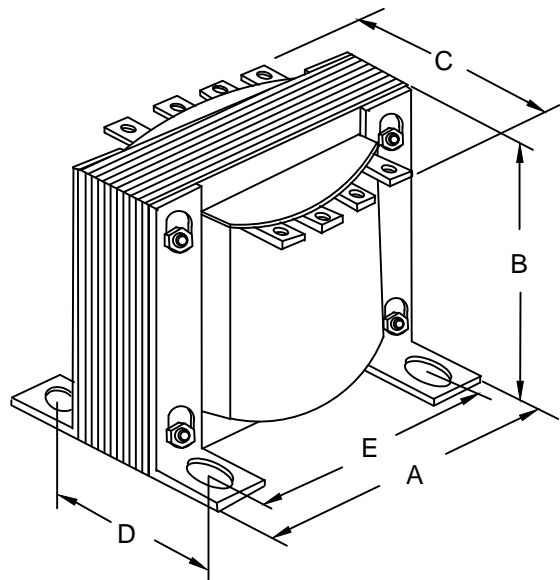
### DESCRIPTION

MODEL	MO50A
Type	Open
VA	50
Primary (Volts)	120 / 240
Secondary (Volts)	12 / 24
Input /Output Amps	0.42 , 0.21 / 4.17 , 2.08
Temperature Rise	80°C
Insulation Class	B (130°C)
Frequency	50 / 60Hz
Polarity	additive
Noise level	less than 40DB
Winding	Copper
Approvals	CE compliant UL listed CSA approved



### WIRING CONNECTION

PRIMARY :		
VOLTS	INTERCONNECT:	CONNECT LINES TO :
120	H1-H3 AND H2-H4	H1-H4
240	H2-H3	H1-H4
SECONDARY :		
VOLTS	INTERCONNECT:	CONNECT LINES TO :
12	X1-X3 AND X2-X4	X1-X4
24	X2-X3	X1-X4



### DIMENSIONS INCHES / MM

VA	A	B	C	D	E	MOUNTING HOLES INCHES / MM	SHIP WEIGHT LBS / KG
50	3.00 76.2	2.50 63.5	3.00 76.2	2.25 57.2	2.50 63.5	0.21 x 0.625 5.3 x 15.9	2.25 1.0

Notes:

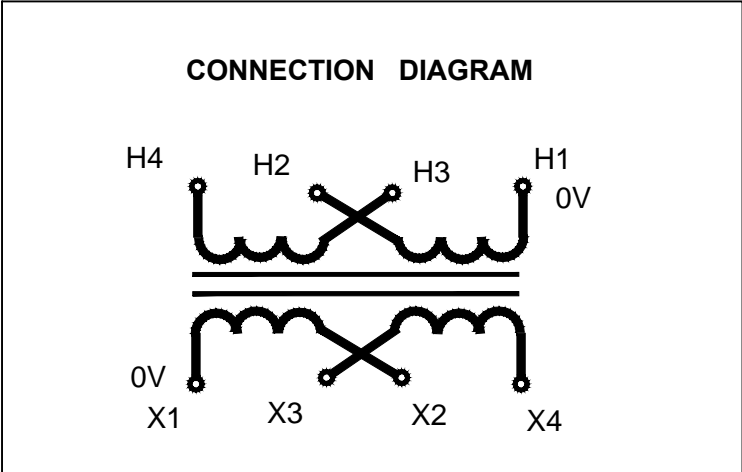


# MARCUS

Marcus Transformer LTD  
 Phone: 1-800-267-7376  
 Fax: 1-866-205-7526  
 Email: Info@marcustransformer.com

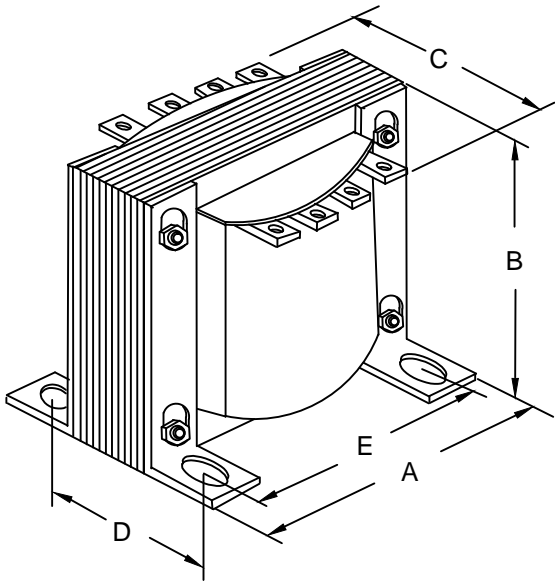
## TECHNICAL DATA SINGLE PHASE CONTROL TRANSFORMER

DESCRIPTION	
MODEL	MO50B
Type	Open
VA	50
Primary (Volts)	120 / 240
Secondary (Volts)	120 / 240
Input /Output Amps	0.42 , 0.21 / 0.42 , 0.21
Temperature Rise	80°C
Insulation Class	B (130°C)
Frequency	50 / 60Hz
Polarity	additive
Noise level	less than 40DB
Winding	Copper
Approvals	CE compliant UL listed CSA approved



### WIRING CONNECTION

PRIMARY :		
VOLTS	INTERCONNECT:	CONNECT LINES TO :
120	H1-H3 AND H2-H4	H1-H4
240	H2-H3	H1-H4
SECONDARY :		
VOLTS	INTERCONNECT:	CONNECT LINES TO :
120	X1-X3 AND X2-X4	X1-X4
240	X2-X3	X1-X4



### DIMENSIONS INCHES / MM

VA	A	B	C	D	E	MOUNTING HOLES INCHES / MM	SHIP WEIGHT LBS / KG
50	3.00 76.2	2.50 63.5	3.00 76.2	2.25 57.2	2.50 63.5	0.21 x 0.625 5.3 x 15.9	2.25 1.0

Notes:

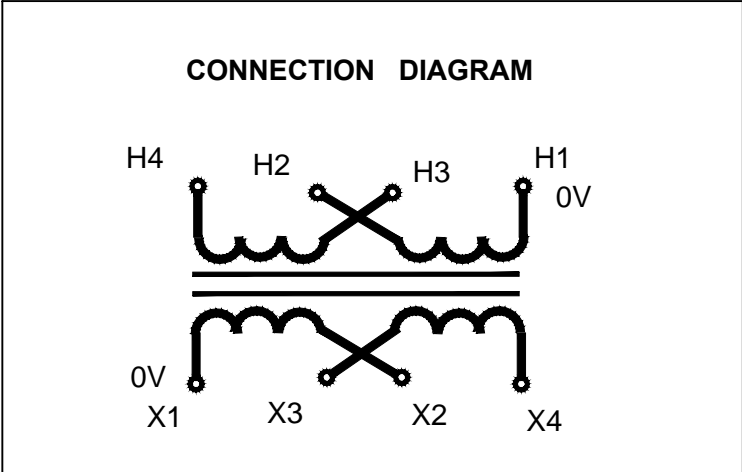


# MARCUS

Marcus Transformer LTD  
 Phone: 1-800-267-7376  
 Fax: 1-866-205-7526  
 Email: Info@marcustransformer.com

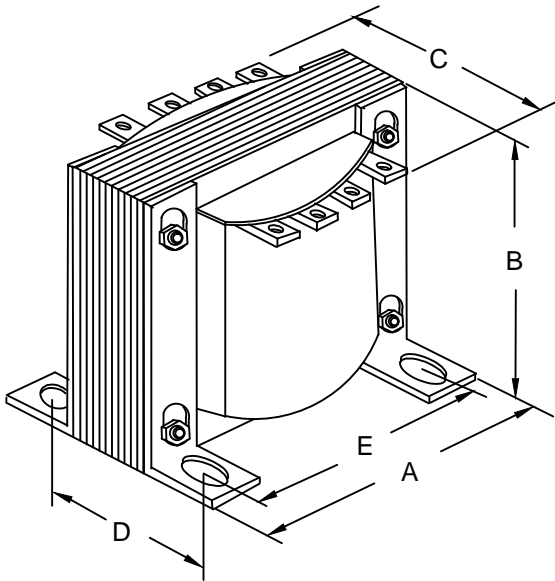
## TECHNICAL DATA SINGLE PHASE CONTROL TRANSFORMER

DESCRIPTION	
MODEL	MO50C
Type	Open
VA	50
Primary (Volts)	208 / 416
Secondary (Volts)	12 / 24
Input /Output Amps	0.24 , 0.12 / 4.16 , 2.08
Temperature Rise	80°C
Insulation Class	B (130°C)
Frequency	50 / 60Hz
Polarity	additive
Noise level	less than 40DB
Winding	Copper
Approvals	CE compliant UL listed CSA approved



### WIRING CONNECTION

PRIMARY :		
VOLTS	INTERCONNECT:	CONNECT LINES TO :
208	H1-H3 AND H2-H4	H1-H4
416	H2-H3	H1-H4
SECONDARY :		
VOLTS	INTERCONNECT:	CONNECT LINES TO :
12	X1-X3 AND X2-X4	X1-X4
24	X2-X3	X1-X4



### DIMENSIONS INCHES / MM

VA	A	B	C	D	E	MOUNTING HOLES INCHES / MM	SHIP WEIGHT LBS / KG
50	3.00 76.2	2.50 63.5	3.00 76.2	2.25 57.2	2.50 63.5	0.21 x 0.625 5.3 x 15.9	2.25 1.0

Notes:

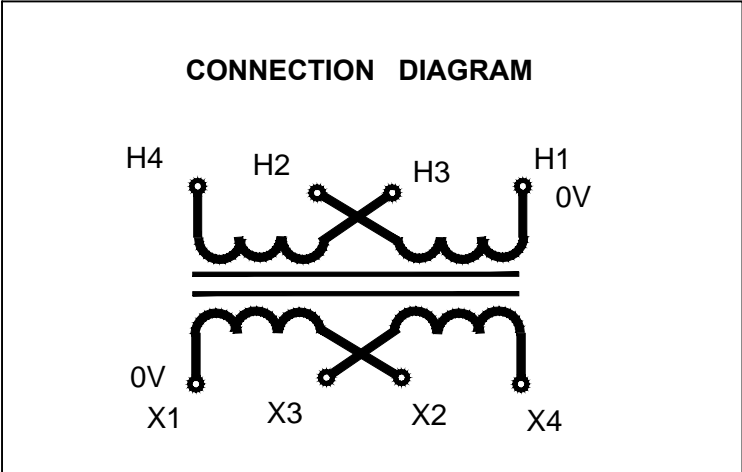


# MARCUS

Marcus Transformer LTD  
 Phone: 1-800-267-7376  
 Fax: 1-866-205-7526  
 Email: Info@marcustransformer.com

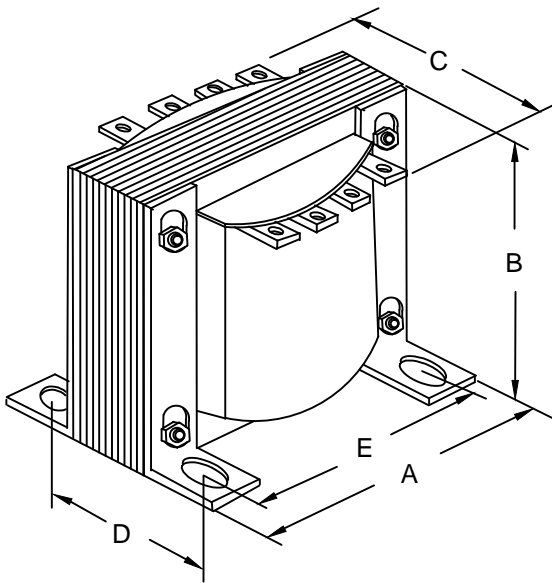
## TECHNICAL DATA SINGLE PHASE CONTROL TRANSFORMER

DESCRIPTION	
MODEL	MO50D
Type	Open
VA	50
Primary (Volts)	208 / 416
Secondary (Volts)	120 / 240
Input /Output Amps	0.24 , 0.12 / 0.42 , 0.21
Temperature Rise	80°C
Insulation Class	B (130°C)
Frequency	50 / 60Hz
Polarity	additive
Noise level	less than 40DB
Winding	Copper
Approvals	CE compliant UL listed CSA approved



### WIRING CONNECTION

PRIMARY :		
VOLTS	INTERCONNECT:	CONNECT LINES TO :
208	H1-H3 AND H2-H4	H1-H4
416	H2-H3	H1-H4
SECONDARY :		
VOLTS	INTERCONNECT:	CONNECT LINES TO :
120	X1-X3 AND X2-X4	X1-X4
240	X2-X3	X1-X4



### DIMENSIONS INCHES / MM

VA	A	B	C	D	E	MOUNTING HOLES INCHES / MM	SHIP WEIGHT LBS / KG
50	3.00 76.2	2.50 63.5	3.00 76.2	2.25 57.2	2.50 63.5	0.21 x 0.625 5.3 x 15.9	2.25 1.0

Notes:

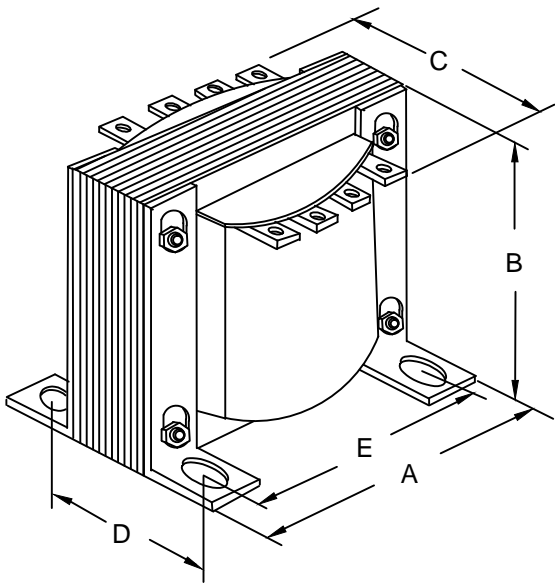
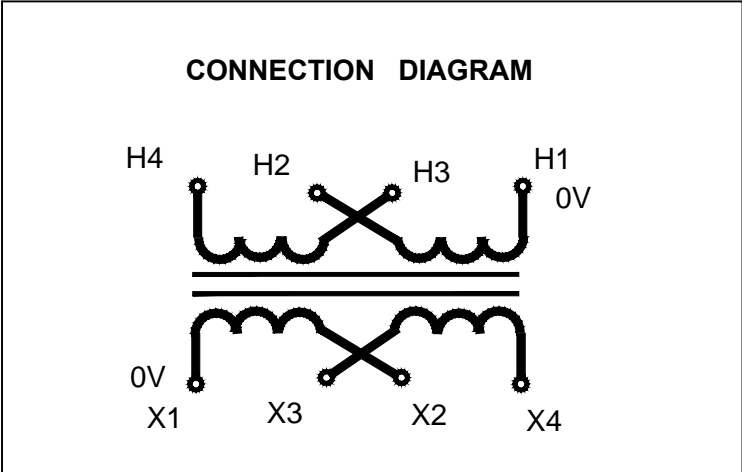


# MARCUS

Marcus Transformer LTD  
 Phone: 1-800-267-7376  
 Fax: 1-866-205-7526  
 Email: Info@marcustransformer.com

## TECHNICAL DATA SINGLE PHASE CONTROL TRANSFORMER

DESCRIPTION	
MODEL	MO50E
Type	Open
VA	50
Primary (Volts)	240 / 480
Secondary (Volts)	120 / 240
Input /Output Amps	0.21 , 0.10 / 0.42 , 0.21
Temperature Rise	80°C
Insulation Class	B (130°C)
Frequency	60Hz
Polarity	additive
Noise level	less than 40DB
Winding	Copper
Approvals	CE compliant UL listed CSA approved



### WIRING CONNECTION

PRIMARY :		
VOLTS	INTERCONNECT:	CONNECT LINES TO :
240	H1-H3 AND H2-H4	H1-H4
480	H2-H3	H1-H4
SECONDARY :		
VOLTS	INTERCONNECT:	CONNECT LINES TO :
120	X1-X3 AND X2-X4	X1-X4
240	X2-X3	X1-X4

### DIMENSIONS INCHES / MM

VA	A	B	C	D	E	MOUNTING HOLES INCHES / MM	SHIP WEIGHT LBS / KG
50	3.00 76.2	2.50 63.5	3.00 76.2	2.25 57.2	2.50 63.5	0.21 x 0.625 5.3 x 15.9	2.25 1.0

Notes:

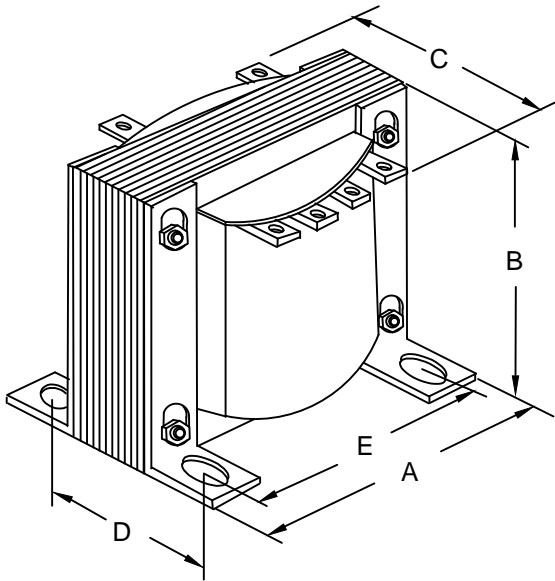
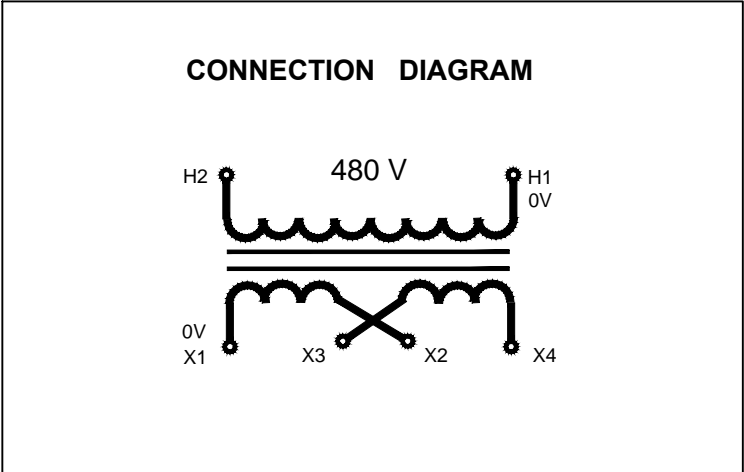


# MARCUS

Marcus Transformer LTD  
 Phone: 1-800-267-7376  
 Fax: 1-866-205-7526  
 Email: Info@marcustransformer.com

## TECHNICAL DATA SINGLE PHASE CONTROL TRANSFORMER

DESCRIPTION	
MODEL	MO50F
Type	Open
VA	50
Primary (Volts)	480
Secondary (Volts)	12 / 24
Input /Output Amps	0.10 / 4.17 , 2.08
Temperature Rise	80°C
Insulation Class	B (130°C)
Frequency	60Hz
Polarity	additive
Noise level	less than 40DB
Winding	Copper
Approvals	CE compliant UL listed CSA approved



### WIRING CONNECTION

PRIMARY :		
VOLTS	CONNECT LINES TO :	
480	H1-H2	
SECONDARY :		
VOLTS	INTERCONNECT:	CONNECT LINES TO :
12	X1-X3 AND X2-X4	X1-X4
24	X2-X3	X1-X4
12/24	X2-X3	X1-X3-X4

### DIMENSIONS INCHES / MM

VA	A	B	C	D	E	MOUNTING HOLES INCHES / MM	SHIP WEIGHT LBS / KG
50	3.00 76.2	2.50 63.5	3.00 76.2	2.25 57.2	2.50 63.5	0.21 x 0.625 5.3 x 15.9	2.25 1.0

Notes:

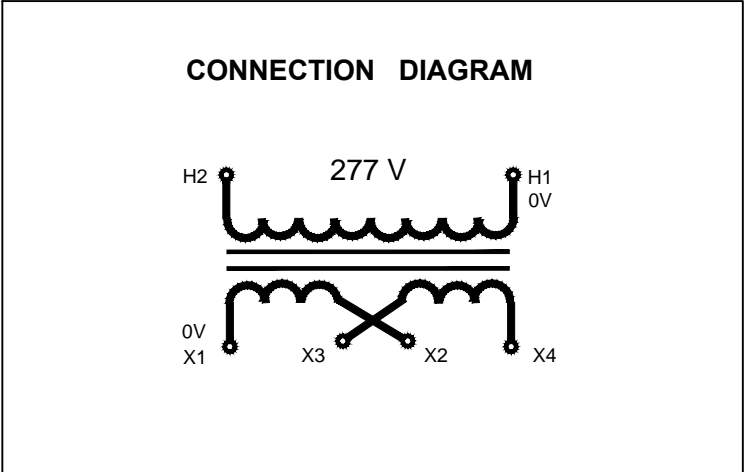


# MARCUS

Marcus Transformer LTD  
 Phone: 1-800-267-7376  
 Fax: 1-866-205-7526  
 Email: Info@marcustransformer.com

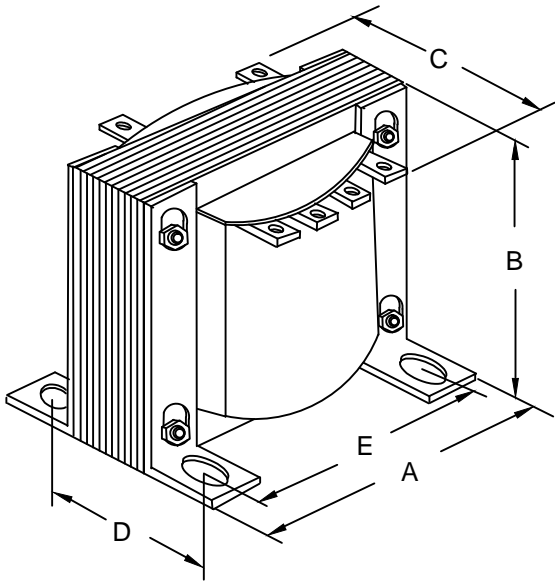
## TECHNICAL DATA SINGLE PHASE CONTROL TRANSFORMER

DESCRIPTION	
MODEL	MO50G
Type	Open
VA	50
Primary (Volts)	277
Secondary (Volts)	120 / 240
Input /Output Amps	0.18 / 0.42 , 0.21
Temperature Rise	80°C
Insulation Class	B (130°C)
Frequency	60Hz
Polarity	additive
Noise level	less than 40DB
Winding	Copper
Approvals	CE compliant UL listed CSA approved



### WIRING CONNECTION

PRIMARY :		
VOLTS	CONNECT LINES TO :	
277	H1-H2	
SECONDARY :		
VOLTS	INTERCONNECT:	CONNECT LINES TO :
120	X1-X3 AND X2-X4	X1-X4
240	X2-X3	X1-X4
120/240	X2-X3	X1-X3-X4



### DIMENSIONS INCHES / MM

VA	A	B	C	D	E	MOUNTING HOLES INCHES / MM	SHIP WEIGHT LBS / KG
50	3.00 76.2	2.50 63.5	3.00 76.2	2.25 57.2	2.50 63.5	0.21 x 0.625 5.3 x 15.9	2.25 1.0

Notes:

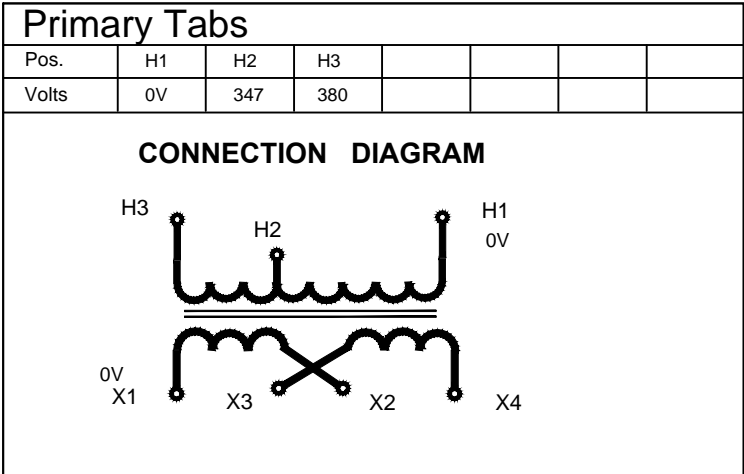


# MARCUS

Marcus Transformer LTD  
 Phone: 1-800-267-7376  
 Fax: 1-866-205-7526  
 Email: Info@marcustransformer.com

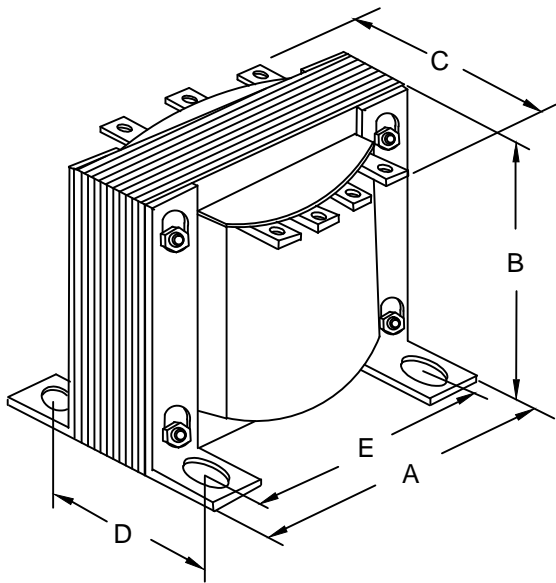
## TECHNICAL DATA SINGLE PHASE CONTROL TRANSFORMER

DESCRIPTION	
MODEL	MO50H
Type	Open
VA	50
Primary (Volts)	347 / 380
Secondary (Volts)	120 / 240
Input / Output Amps	0.14 , 0.13 / 0.42 , 0.21
Temperature Rise	80°C
Insulation Class	B (130°C)
Frequency	50 / 60Hz
Polarity	additive
Noise level	less than 40DB
Winding	Copper
Approvals	CE compliant UL listed CSA approved



### WIRING CONNECTION

PRIMARY :		
VOLTS	CONNECT LINES TO :	
347	H1-H2	
380	H1-H3	
SECONDARY :		
VOLTS	INTERCONNECT:	CONNECT LINES TO :
120	X1-X3 AND X2-X4	X1-X4
240	X2-X3	X1-X4



### DIMENSIONS INCHES / MM

VA	A	B	C	D	E	MOUNTING HOLES INCHES / MM	SHIP WEIGHT LBS / KG
50	3.00 76.2	2.50 63.5	3.00 76.2	2.25 57.2	2.50 63.5	0.21 x 0.625 5.3 x 15.9	2.25 1.0

Notes:



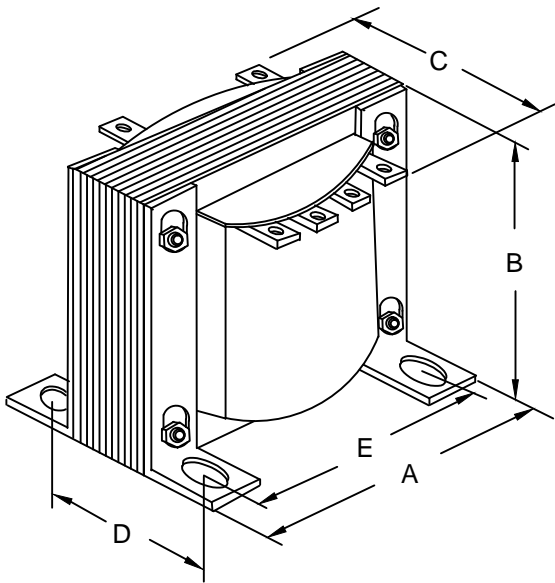
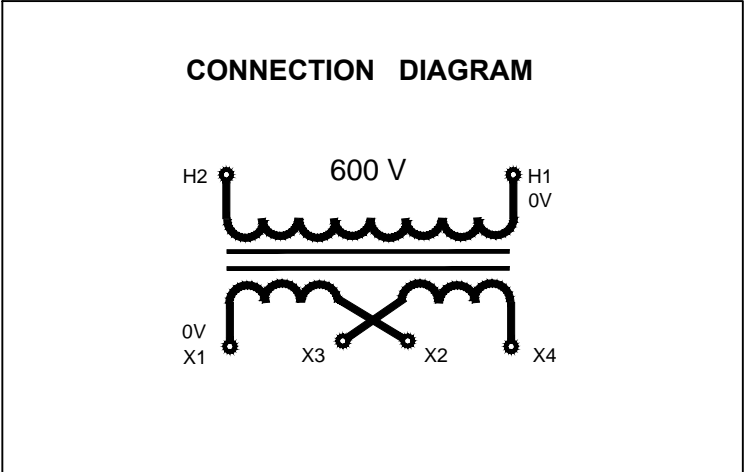


# MARCUS

Marcus Transformer LTD  
 Phone: 1-800-267-7376  
 Fax: 1-866-205-7526  
 Email: Info@marcustransformer.com

## TECHNICAL DATA SINGLE PHASE CONTROL TRANSFORMER

DESCRIPTION	
MODEL	MO50I
Type	Open
VA	50
Primary (Volts)	600
Secondary (Volts)	12 / 24
Input /Output Amps	0.08 / 4.17 , 2.08
Temperature Rise	80°C
Insulation Class	B (130°C)
Frequency	60Hz
Polarity	additive
Noise level	less than 40DB
Winding	Copper
Approvals	CE compliant UL listed CSA approved



### WIRING CONNECTION

PRIMARY :		
VOLTS	CONNECT LINES TO :	
600	H1-H2	
SECONDARY :		
VOLTS	INTERCONNECT:	CONNECT LINES TO :
12	X1-X3 AND X2-X4	X1-X4
24	X2-X3	X1-X4
12/24	X2-X3	X1-X3-X4

### DIMENSIONS INCHES / MM

VA	A	B	C	D	E	MOUNTING HOLES INCHES / MM	SHIP WEIGHT LBS / KG
50	3.00 76.2	2.50 63.5	3.00 76.2	2.25 57.2	2.50 63.5	0.21 x 0.625 5.3 x 15.9	2.25 1.0

Notes:

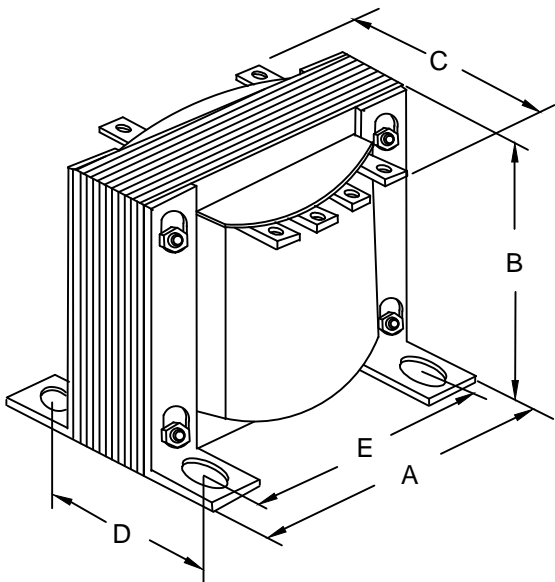
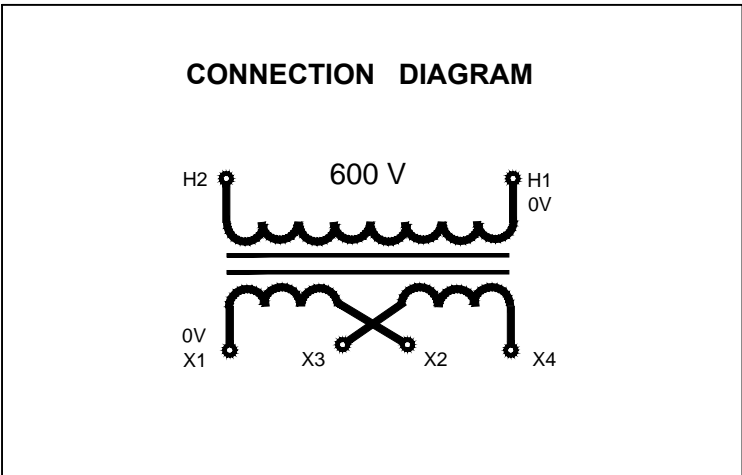


# MARCUS

Marcus Transformer LTD  
 Phone: 1-800-267-7376  
 Fax: 1-866-205-7526  
 Email: Info@marcustransformer.com

## TECHNICAL DATA SINGLE PHASE CONTROL TRANSFORMER

DESCRIPTION	
MODEL	MO50J
Type	Open
VA	50
Primary (Volts)	600
Secondary (Volts)	120 / 240
Input /Output Amps	0.08 / 0.42 , 0.21
Temperature Rise	80°C
Insulation Class	B (130°C)
Frequency	60Hz
Polarity	additive
Noise level	less than 40DB
Winding	Copper
Approvals	CE compliant UL listed CSA approved



**WIRING CONNECTION**

PRIMARY :		
VOLTS	CONNECT LINES TO :	
600	H1-H2	
SECONDARY :		
VOLTS	INTERCONNECT:	CONNECT LINES TO :
120	X1-X3 AND X2-X4	X1-X4
240	X2-X3	X1-X4
120/240	X2-X3	X1-X3-X4

**DIMENSIONS** INCHES / MM

VA	A	B	C	D	E	MOUNTING HOLES INCHES / MM	SHIP WEIGHT LBS / KG
50	3.00 76.2	2.50 63.5	3.00 76.2	2.25 57.2	2.50 63.5	0.21 x 0.625 5.3 x 15.9	2.25 1.0

Notes:

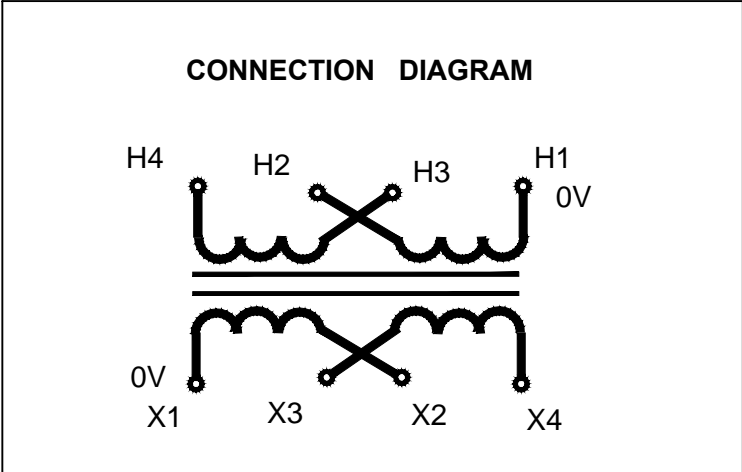


# MARCUS

Marcus Transformer LTD  
 Phone: 1-800-267-7376  
 Fax: 1-866-205-7526  
 Email: Info@marcustransformer.com

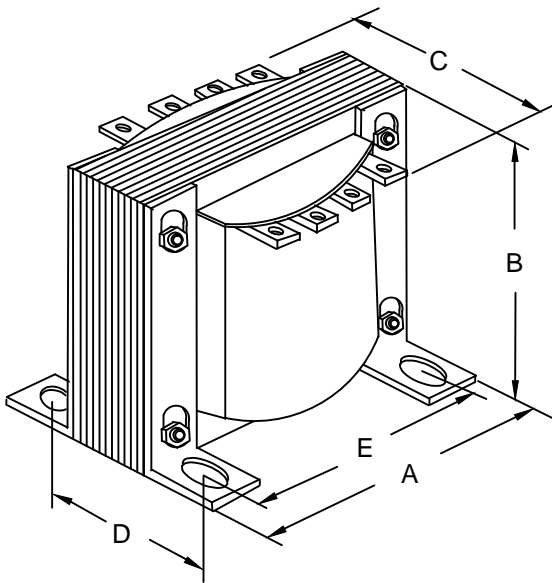
## TECHNICAL DATA SINGLE PHASE CONTROL TRANSFORMER

DESCRIPTION	
MODEL	MO50K
Type	Open
VA	50
Primary (Volts)	240 / 480
Secondary (Volts)	12 / 24
Input /Output Amps	0.21 , 0.10 / 4.12 , 2.08
Temperature Rise	80°C
Insulation Class	B (130°C)
Frequency	60Hz
Polarity	additive
Noise level	less than 40DB
Winding	Copper
Approvals	CE compliant UL listed CSA approved



### WIRING CONNECTION

PRIMARY :		
VOLTS	INTERCONNECT:	CONNECT LINES TO :
240	H1-H3 AND H2-H4	H1-H4
480	H2-H3	H1-H4
SECONDARY :		
VOLTS	INTERCONNECT:	CONNECT LINES TO :
12	X1-X3 AND X2-X4	X1-X4
24	X2-X3	X1-X4



### DIMENSIONS INCHES / MM

VA	A	B	C	D	E	MOUNTING HOLES INCHES / MM	SHIP WEIGHT LBS / KG
50	3.00 76.2	2.50 63.5	3.00 76.2	2.25 57.2	2.50 63.5	0.21 x 0.625 5.3 x 15.9	2.25 1.0

Notes:

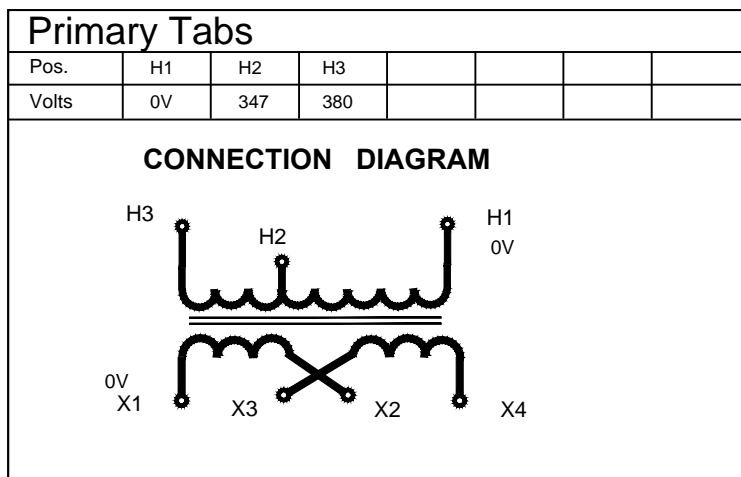


# MARCUS

Marcus Transformer LTD  
 Phone: 1-800-267-7376  
 Fax: 1-866-205-7526  
 Email: Info@marcustransformer.com

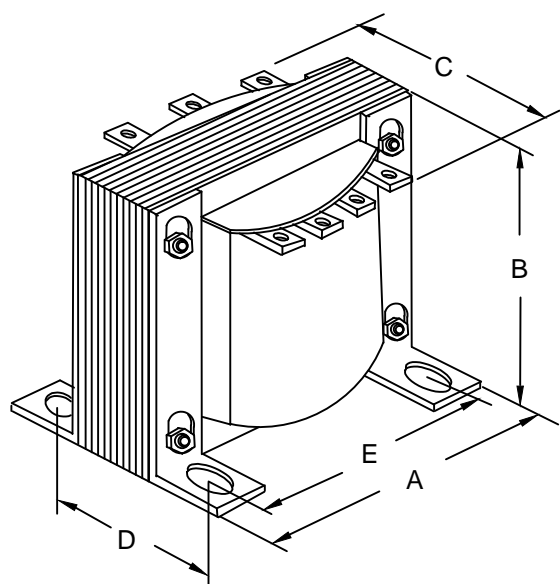
## TECHNICAL DATA SINGLE PHASE CONTROL TRANSFORMER

DESCRIPTION	
MODEL	MO50L
Type	Open
VA	50
Primary (Volts)	347 / 380
Secondary (Volts)	12 / 24
Input / Output Amps	0.14 , 0.13 / 4.17 , 2.08
Temperature Rise	80°C
Insulation Class	B (130°C)
Frequency	50 / 60Hz
Polarity	additive
Noise level	less than 40DB
Winding	Copper
Approvals	CE compliant UL listed CSA approved



## WIRING CONNECTION

PRIMARY :		
VOLTS	CONNECT LINES TO :	
347	H1-H2	
380	H1-H3	
SECONDARY :		
VOLTS	INTERCONNECT:	CONNECT LINES TO :
12	X1-X3 AND X2-X4	X1-X4
24	X2-X3	X1-X4



## DIMENSIONS INCHES / MM

VA	A	B	C	D	E	MOUNTING HOLES INCHES / MM	SHIP WEIGHT LBS / KG
50	3.00 76.2	2.50 63.5	3.00 76.2	2.25 57.2	2.50 63.5	0.21 x 0.625 5.3 x 15.9	2.25 1.0

Notes:

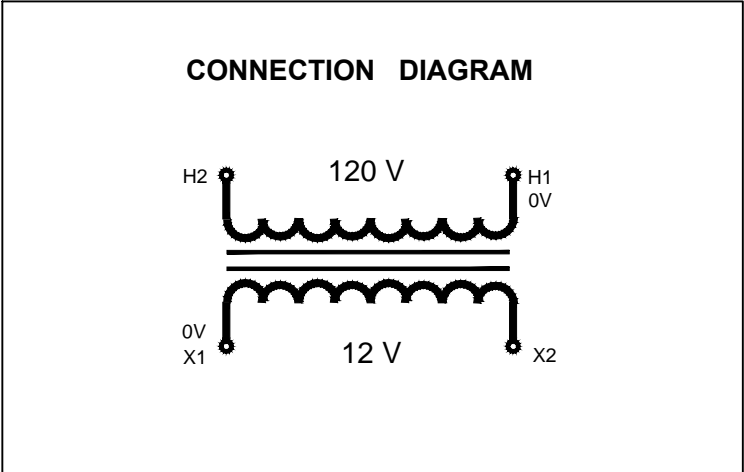


# MARCUS

Marcus Transformer LTD  
 Phone: 1-800-267-7376  
 Fax: 1-866-205-7526  
 Email: Info@marcustransformer.com

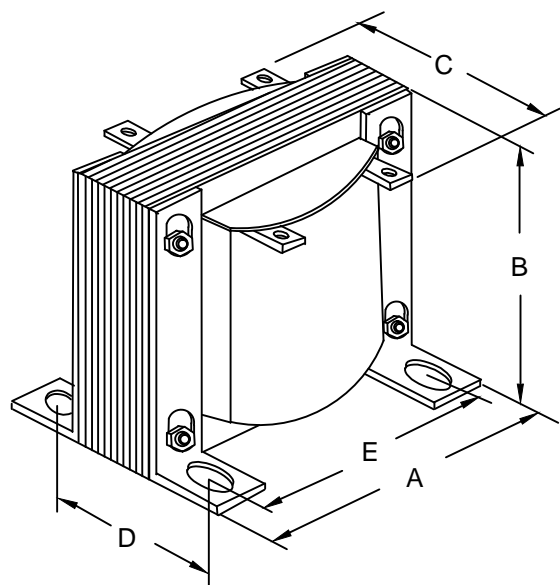
## TECHNICAL DATA SINGLE PHASE CONTROL TRANSFORMER

DESCRIPTION	
MODEL	MO50M
Type	Open
VA	50
Primary (Volts)	120
Secondary (Volts)	12
Input /Output Amps	0.42 / 4.17
Temperature Rise	80°C
Insulation Class	B (130°C)
Frequency	60Hz
Polarity	additive
Noise level	less than 40DB
Winding	Copper
Approvals	CE compliant UL listed CSA approved



## WIRING CONNECTION

PRIMARY :	
VOLTS 120	CONNECT LINES TO : H1-H2
SECONDARY :	
VOLTS 12	CONNECT LINES TO : X1-X2



## DIMENSIONS INCHES / MM

VA	A	B	C	D	E	MOUNTING HOLES INCHES / MM	SHIP WEIGHT LBS / KG
50	3.00 76.2	2.50 63.5	3.00 76.2	2.25 57.2	2.50 63.5	0.21 x 0.625 5.3 x 15.9	2.25 1.0

Notes:

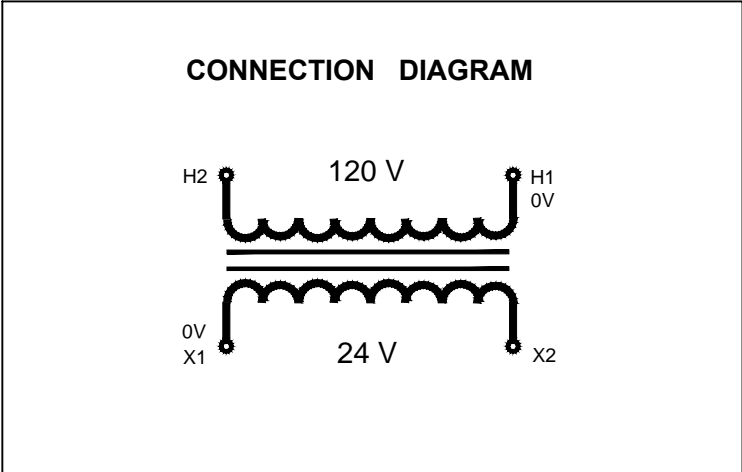


# MARCUS

Marcus Transformer LTD  
 Phone: 1-800-267-7376  
 Fax: 1-866-205-7526  
 Email: Info@marcustransformer.com

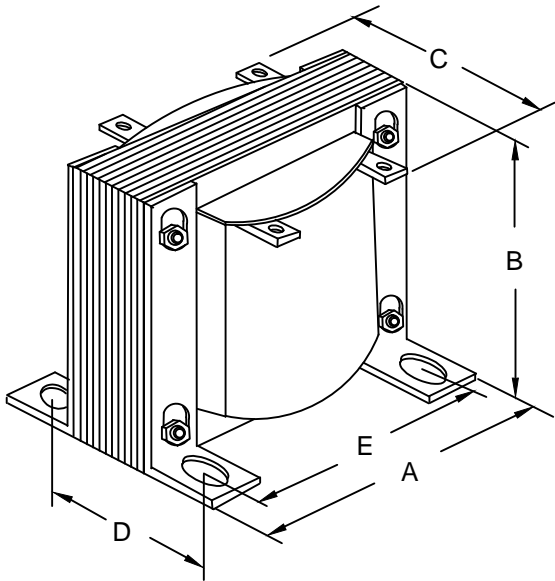
## TECHNICAL DATA SINGLE PHASE CONTROL TRANSFORMER

DESCRIPTION	
MODEL	MO50N
Type	Open
VA	50
Primary (Volts)	120
Secondary (Volts)	24
Input /Output Amps	0.42 / 2.08
Temperature Rise	80°C
Insulation Class	B (130°C)
Frequency	60Hz
Polarity	additive
Noise level	less than 40DB
Winding	Copper
Approvals	CE compliant UL listed CSA approved



## WIRING CONNECTION

PRIMARY :	
VOLTS 120	CONNECT LINES TO : H1-H2
SECONDARY :	
VOLTS 24	CONNECT LINES TO : X1-X2



## DIMENSIONS INCHES / MM

VA	A	B	C	D	E	MOUNTING HOLES INCHES / MM	SHIP WEIGHT LBS / KG
50	3.00 76.2	2.50 63.5	3.00 76.2	2.25 57.2	2.50 63.5	0.21 x 0.625 5.3 x 15.9	2.25 1.0

Notes:

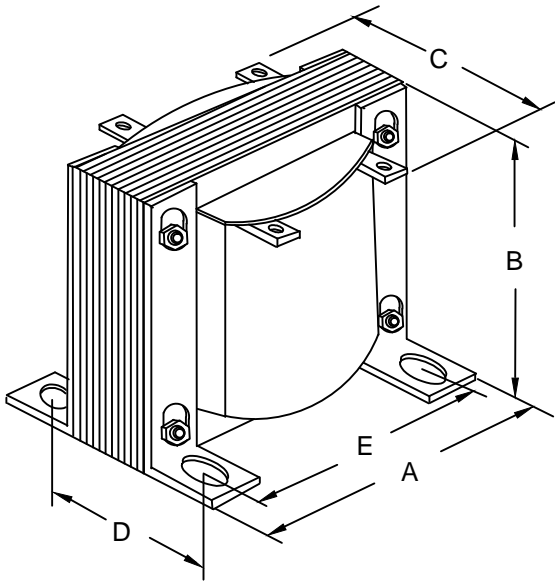
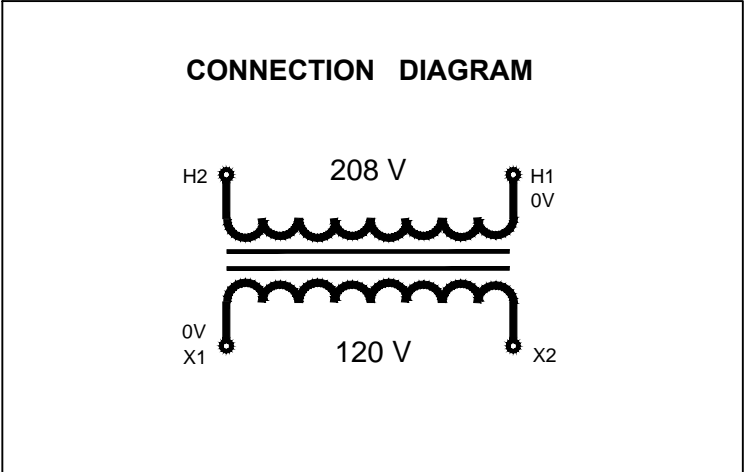


# MARCUS

Marcus Transformer LTD  
 Phone: 1-800-267-7376  
 Fax: 1-866-205-7526  
 Email: Info@marcustransformer.com

## TECHNICAL DATA SINGLE PHASE CONTROL TRANSFORMER

DESCRIPTION	
MODEL	MO500
Type	Open
VA	50
Primary (Volts)	208
Secondary (Volts)	120
Input /Output Amps	0.24 / 0.42
Temperature Rise	80°C
Insulation Class	B (130°C)
Frequency	60Hz
Polarity	additive
Noise level	less than 40DB
Winding	Copper
Approvals	CE compliant UL listed CSA approved



### WIRING CONNECTION

PRIMARY :	
VOLTS 208	CONNECT LINES TO : H1-H2
SECONDARY :	
VOLTS 120	CONNECT LINES TO : X1-X2

### DIMENSIONS INCHES / MM

VA	A	B	C	D	E	MOUNTING HOLES INCHES / MM	SHIP WEIGHT LBS / KG
50	3.00 76.2	2.50 63.5	3.00 76.2	2.25 57.2	2.50 63.5	0.21 x 0.625 5.3 x 15.9	2.25 1.0

Notes:

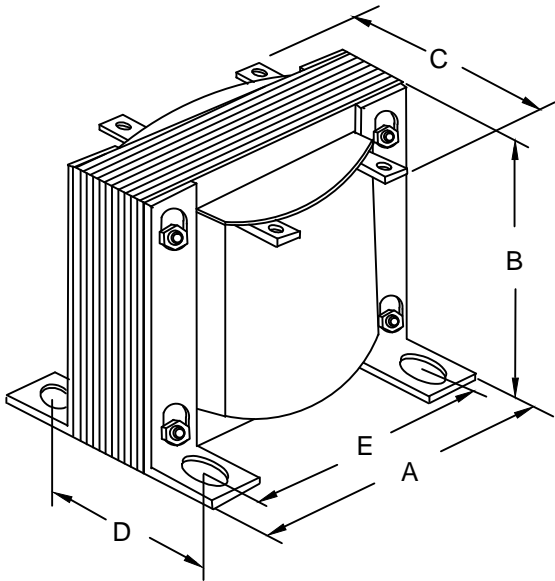
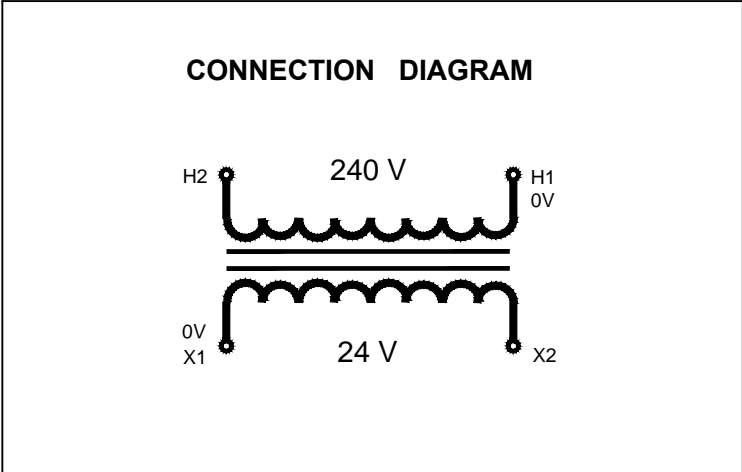


# MARCUS

Marcus Transformer LTD  
 Phone: 1-800-267-7376  
 Fax: 1-866-205-7526  
 Email: Info@marcustransformer.com

## TECHNICAL DATA SINGLE PHASE CONTROL TRANSFORMER

DESCRIPTION	
MODEL	MO50P
Type	Open
VA	50
Primary (Volts)	240
Secondary (Volts)	24
Input /Output Amps	0.21 / 2.08
Temperature Rise	80°C
Insulation Class	B (130°C)
Frequency	60Hz
Polarity	additive
Noise level	less than 40DB
Winding	Copper
Approvals	CE compliant UL listed CSA approved



### WIRING CONNECTION

PRIMARY :	
VOLTS 240	CONNECT LINES TO : H1-H2
SECONDARY :	
VOLTS 24	CONNECT LINES TO : X1-X2

### DIMENSIONS INCHES / MM

VA	A	B	C	D	E	MOUNTING HOLES INCHES / MM	SHIP WEIGHT LBS / KG
50	3.00 76.2	2.50 63.5	3.00 76.2	2.25 57.2	2.50 63.5	0.21 x 0.625 5.3 x 15.9	2.25 1.0

Notes:



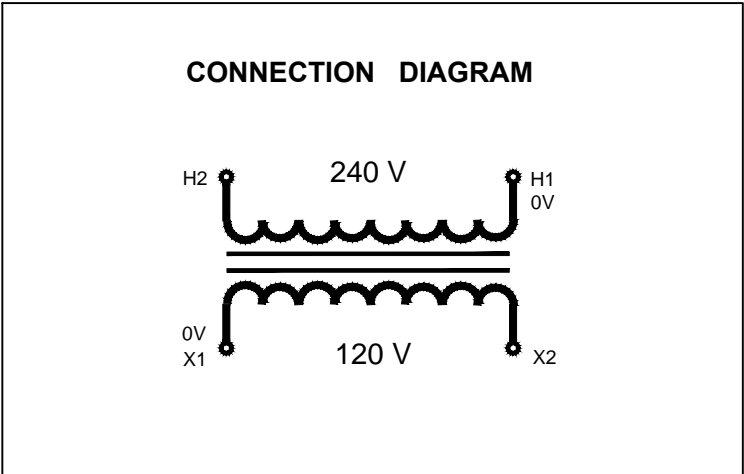


# MARCUS

Marcus Transformer LTD  
 Phone: 1-800-267-7376  
 Fax: 1-866-205-7526  
 Email: Info@marcustransformer.com

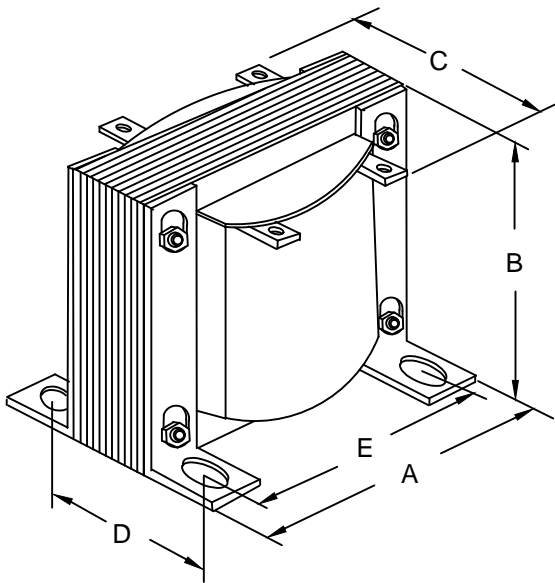
## TECHNICAL DATA SINGLE PHASE CONTROL TRANSFORMER

DESCRIPTION	
MODEL	MO50Q
Type	Open
VA	50
Primary (Volts)	240
Secondary (Volts)	120
Input /Output Amps	0.21 / 0.42
Temperature Rise	80°C
Insulation Class	B (130°C)
Frequency	60Hz
Polarity	additive
Noise level	less than 40DB
Winding	Copper
Approvals	CE compliant UL listed CSA approved



## WIRING CONNECTION

PRIMARY :	
VOLTS 240	CONNECT LINES TO : H1-H2
SECONDARY :	
VOLTS 120	CONNECT LINES TO : X1-X2



## DIMENSIONS INCHES / MM

VA	A	B	C	D	E	MOUNTING HOLES INCHES / MM	SHIP WEIGHT LBS / KG
50	3.00 76.2	2.50 63.5	3.00 76.2	2.25 57.2	2.50 63.5	0.21 x 0.625 5.3 x 15.9	2.25 1.0

Notes:

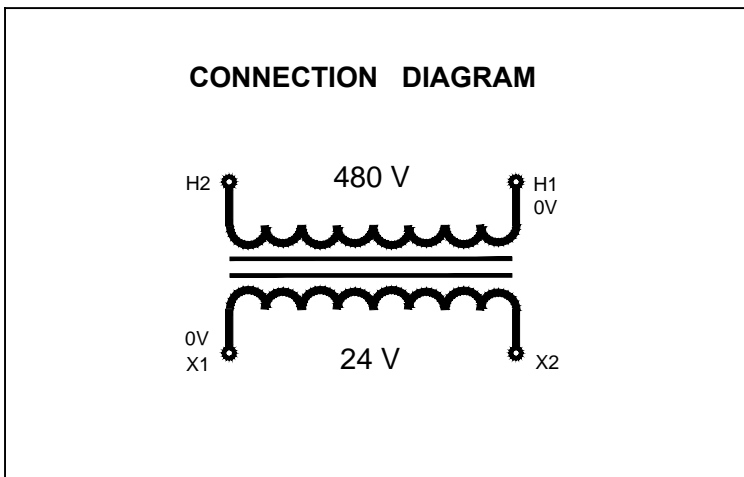


# MARCUS

Marcus Transformer LTD  
 Phone: 1-800-267-7376  
 Fax: 1-866-205-7526  
 Email: Info@marcustransformer.com

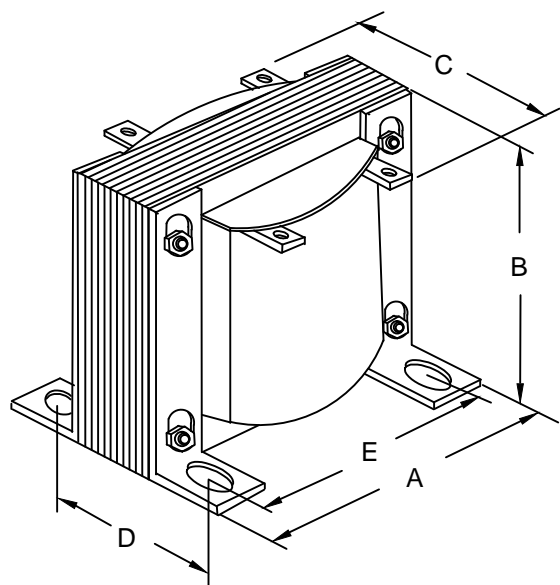
## TECHNICAL DATA SINGLE PHASE CONTROL TRANSFORMER

DESCRIPTION	
MODEL	MO50R
Type	Open
VA	50
Primary (Volts)	480
Secondary (Volts)	24
Input /Output Amps	0.10 / 2.08
Temperature Rise	80°C
Insulation Class	B (130°C)
Frequency	60Hz
Polarity	additive
Noise level	less then 40DB
Winding	Copper
Approvals	CE compliant UL listed CSA approved



## WIRING CONNECTION

PRIMARY :	
VOLTS 480	CONNECT LINES TO : H1-H2
SECONDARY :	
VOLTS 24	CONNECT LINES TO : X1-X2



## DIMENSIONS INCHES / MM

VA	A	B	C	D	E	MOUNTING HOLES INCHES / MM	SHIP WEIGHT LBS / KG
50	3.00 76.2	2.50 63.5	3.00 76.2	2.25 57.2	2.50 63.5	0.21 x 0.625 5.3 x 15.9	2.25 1.0

Notes:



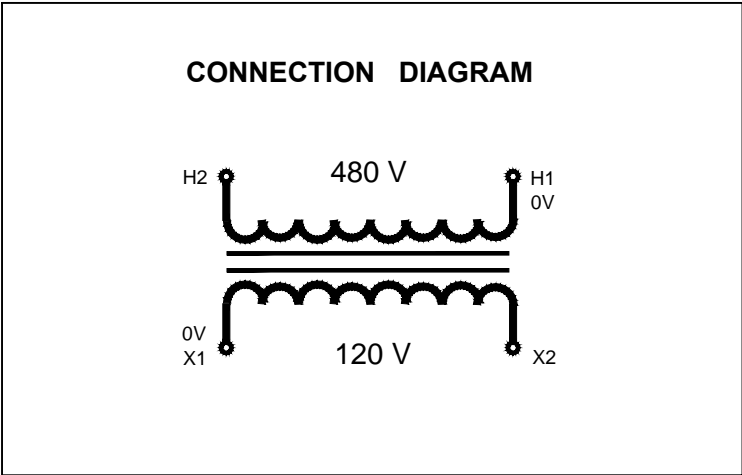
# MARCUS

Marcus Transformer LTD  
 Phone: 1-800-267-7376  
 Fax: 1-866-205-7526  
 Email: Info@marcustransformer.com

## TECHNICAL DATA

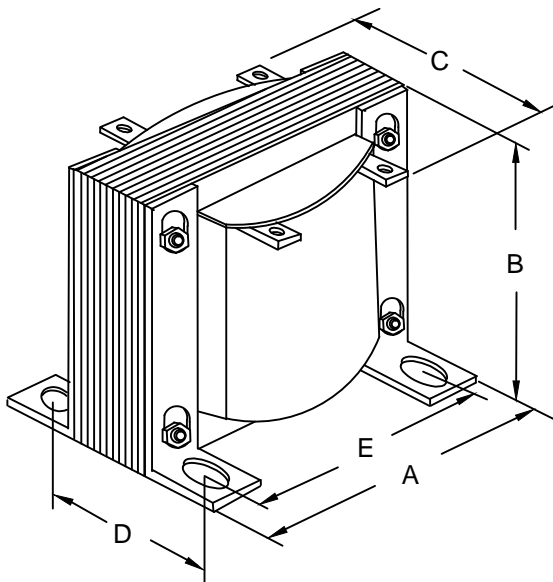
SINGLE PHASE CONTROL TRANSFORMER

DESCRIPTION	
MODEL	MO50S
Type	Open
VA	50
Primary (Volts)	480
Secondary (Volts)	120
Input /Output Amps	0.10 / 0.42
Temperature Rise	80°C
Insulation Class	B (130°C)
Frequency	60Hz
Polarity	additive
Noise level	less than 40DB
Winding	Copper
Approvals	CE compliant UL listed CSA approved



### WIRING CONNECTION

PRIMARY :	
VOLTS 480	CONNECT LINES TO : H1-H2
SECONDARY :	
VOLTS 120	CONNECT LINES TO : X1-X2



### DIMENSIONS INCHES / MM

VA	A	B	C	D	E	MOUNTING HOLES INCHES / MM	SHIP WEIGHT LBS / KG
50	3.00 76.2	2.50 63.5	3.00 76.2	2.25 57.2	2.50 63.5	0.21 x 0.625 5.3 x 15.9	2.25 1.0

Notes:

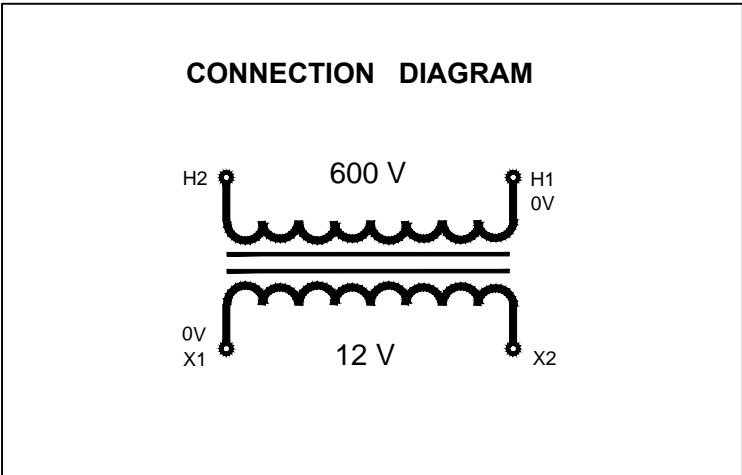


# MARCUS

Marcus Transformer LTD  
 Phone: 1-800-267-7376  
 Fax: 1-866-205-7526  
 Email: Info@marcustransformer.com

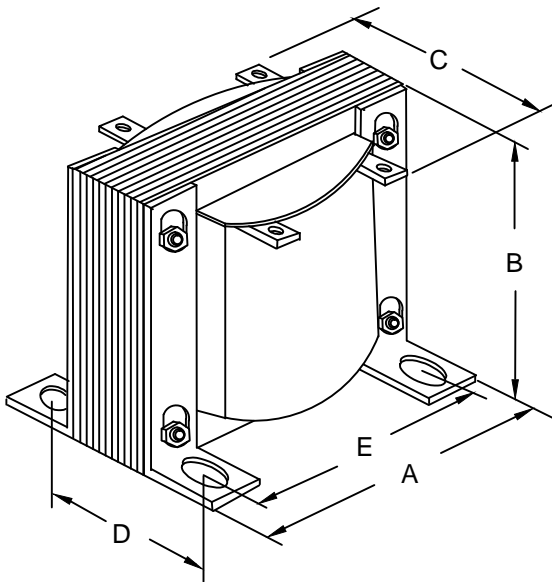
## TECHNICAL DATA SINGLE PHASE CONTROL TRANSFORMER

DESCRIPTION	
MODEL	MO50T
Type	Open
VA	50
Primary (Volts)	600
Secondary (Volts)	12
Input /Output Amps	0.08 / 4.17
Temperature Rise	80°C
Insulation Class	B (130°C)
Frequency	60Hz
Polarity	additive
Noise level	less than 40DB
Winding	Copper
Approvals	CE compliant UL listed CSA approved



## WIRING CONNECTION

PRIMARY :	
VOLTS 600	CONNECT LINES TO : H1-H2
SECONDARY :	
VOLTS 12	CONNECT LINES TO : X1-X2



## DIMENSIONS INCHES / MM

VA	A	B	C	D	E	MOUNTING HOLES INCHES / MM	SHIP WEIGHT LBS / KG
50	3.00 76.2	2.50 63.5	3.00 76.2	2.25 57.2	2.50 63.5	0.21 x 0.625 5.3 x 15.9	2.25 1.0

Notes:



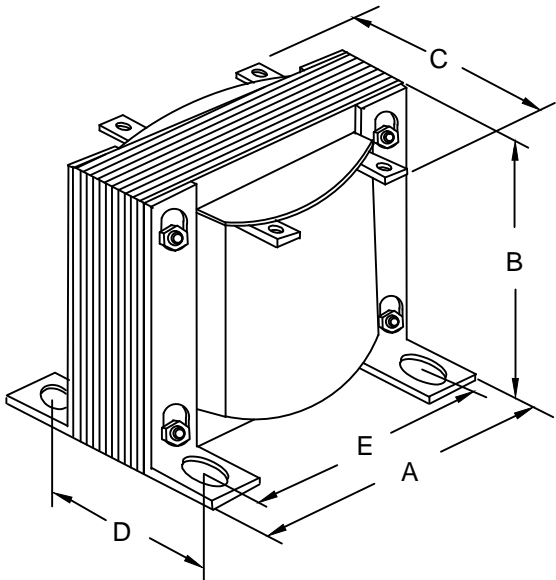
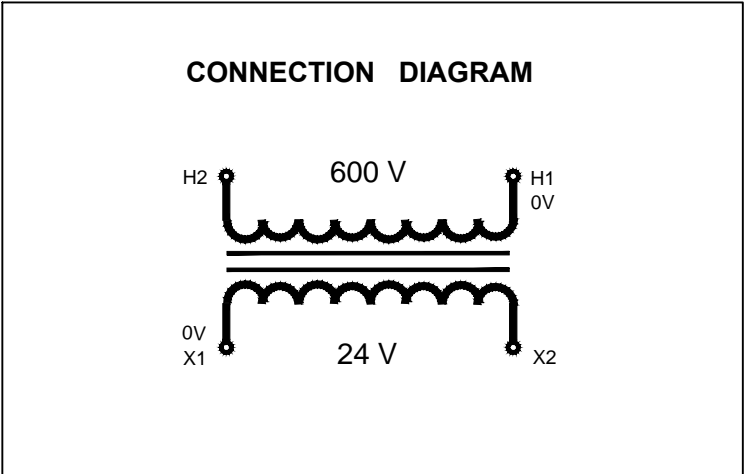
# MARCUS

Marcus Transformer LTD  
 Phone: 1-800-267-7376  
 Fax: 1-866-205-7526  
 Email: Info@marcustransformer.com

## TECHNICAL DATA

SINGLE PHASE CONTROL TRANSFORMER

DESCRIPTION	
MODEL	MO50U
Type	Open
VA	50
Primary (Volts)	600
Secondary (Volts)	24
Input /Output Amps	0.08 / 2.08
Temperature Rise	80°C
Insulation Class	B (130°C)
Frequency	60Hz
Polarity	additive
Noise level	less than 40DB
Winding	Copper
Approvals	CE compliant UL listed CSA approved



### WIRING CONNECTION

PRIMARY :	
VOLTS	CONNECT LINES TO :
600	H1-H2
SECONDARY :	
VOLTS	CONNECT LINES TO :
24	X1-X2

### DIMENSIONS INCHES / MM

VA	A	B	C	D	E	MOUNTING HOLES INCHES / MM	SHIP WEIGHT LBS / KG
50	3.00 76.2	2.50 63.5	3.00 76.2	2.25 57.2	2.50 63.5	0.21 x 0.625 5.3 x 15.9	2.25 1.0

Notes:



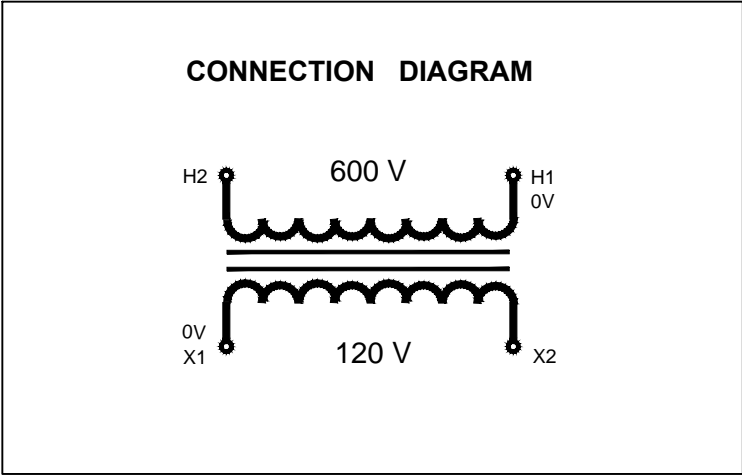
# MARCUS

Marcus Transformer LTD  
 Phone: 1-800-267-7376  
 Fax: 1-866-205-7526  
 Email: Info@marcustransformer.com

## TECHNICAL DATA

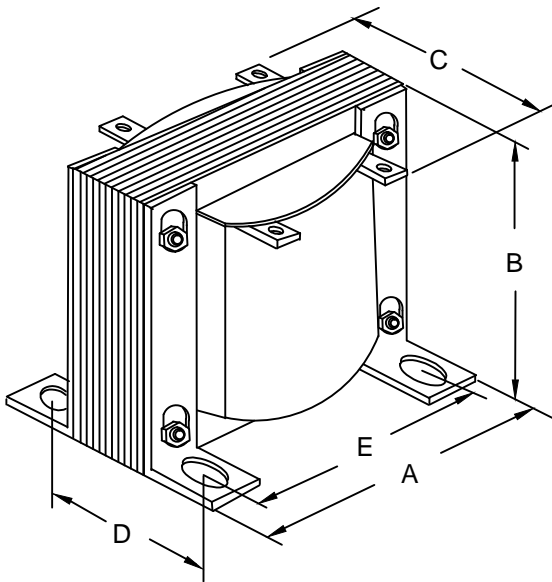
SINGLE PHASE CONTROL TRANSFORMER

DESCRIPTION	
MODEL	MO50V
Type	Open
VA	50
Primary (Volts)	600
Secondary (Volts)	120
Input /Output Amps	0.08 / 0.42
Temperature Rise	80°C
Insulation Class	B (130°C)
Frequency	60Hz
Polarity	additive
Noise level	less than 40DB
Winding	Copper
Approvals	CE compliant UL listed CSA approved



## WIRING CONNECTION

PRIMARY :	
VOLTS 600	CONNECT LINES TO : H1-H2
SECONDARY :	
VOLTS 120	CONNECT LINES TO : X1-X2



## DIMENSIONS INCHES / MM

VA	A	B	C	D	E	MOUNTING HOLES INCHES / MM	SHIP WEIGHT LBS / KG
50	3.00 76.2	2.50 63.5	3.00 76.2	2.25 57.2	2.50 63.5	0.21 x 0.625 5.3 x 15.9	2.25 1.0

Notes:



# MARCUS

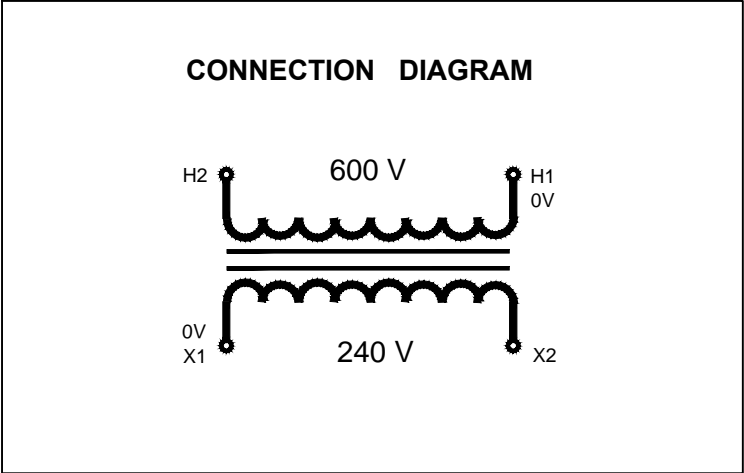
Marcus Transformer LTD  
 Phone: 1-800-267-7376  
 Fax: 1-866-205-7526  
 Email: Info@marcustransformer.com

## TECHNICAL DATA

SINGLE PHASE CONTROL TRANSFORMER

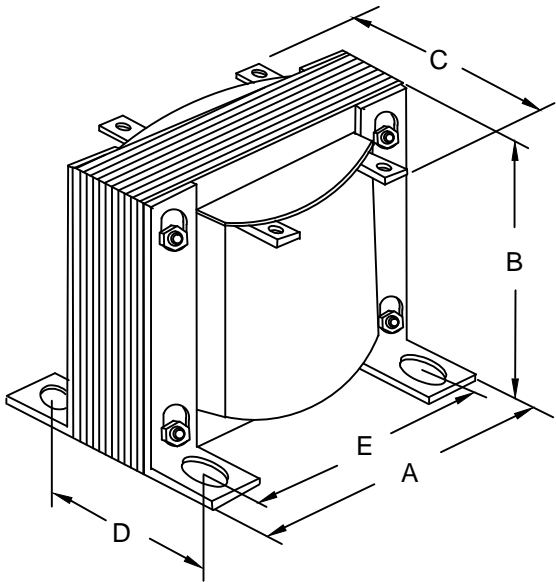
### DESCRIPTION

MODEL	MO50W
Type	Open
VA	50
Primary (Volts)	600
Secondary (Volts)	240
Input /Output Amps	0.08 / 0.21
Temperature Rise	80°C
Insulation Class	B (130°C)
Frequency	60Hz
Polarity	additive
Noise level	less than 40DB
Winding	Copper
Approvals	CE compliant UL listed CSA approved



### WIRING CONNECTION

PRIMARY :	
VOLTS 600	CONNECT LINES TO : H1-H2
SECONDARY :	
VOLTS 240	CONNECT LINES TO : X1-X2



### DIMENSIONS INCHES / MM

VA	A	B	C	D	E	MOUNTING HOLES INCHES / MM	SHIP WEIGHT LBS / KG
50	3.00 76.2	2.50 63.5	3.00 76.2	2.25 57.2	2.50 63.5	0.21 x 0.625 5.3 x 15.9	2.25 1.0

Notes:



# MARCUS

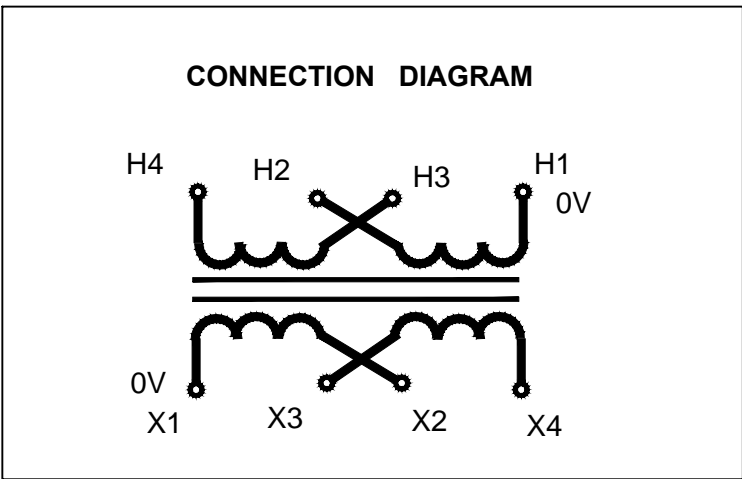
Marcus Transformer LTD  
 Phone: 1-800-267-7376  
 Fax: 1-866-205-7526  
 Email: Info@marcustransformer.com

## TECHNICAL DATA

SINGLE PHASE CONTROL TRANSFORMER

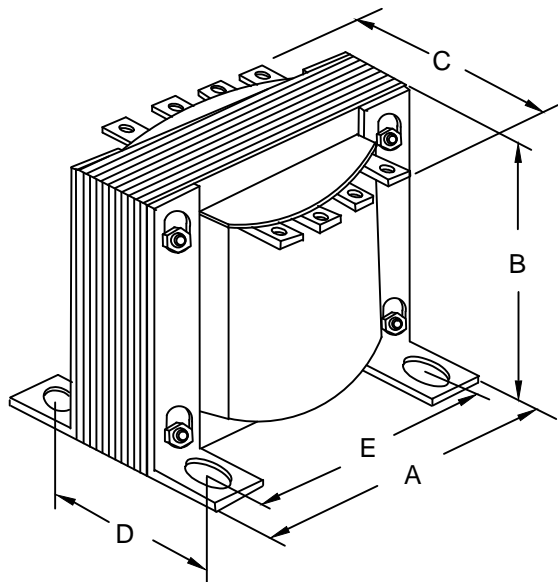
### DESCRIPTION

MODEL	MO50X
Type	Open
VA	50
Primary (Volts)	120 / 240
Secondary (Volts)	16 / 32
Input /Output Amps	0.42 , 0.21 / 3.13 , 1.56
Temperature Rise	80°C
Insulation Class	B (130°C)
Frequency	50 / 60Hz
Polarity	additive
Noise level	less than 40DB
Winding	Copper
Approvals	CE compliant UL listed CSA approved



### WIRING CONNECTION

PRIMARY :		
VOLTS	INTERCONNECT:	CONNECT LINES TO :
120	H1-H3 AND H2-H4	H1-H4
240	H2-H3	H1-H4
SECONDARY :		
VOLTS	INTERCONNECT:	CONNECT LINES TO :
16	X1-X3 AND X2-X4	X1-X4
32	X2-X3	X1-X4



### DIMENSIONS INCHES / MM

VA	A	B	C	D	E	MOUNTING HOLES INCHES / MM	SHIP WEIGHT LBS / KG
50	3.00 76.2	2.50 63.5	3.00 76.2	2.25 57.2	2.50 63.5	0.21 x 0.625 5.3 x 15.9	2.25 1.0

Notes:





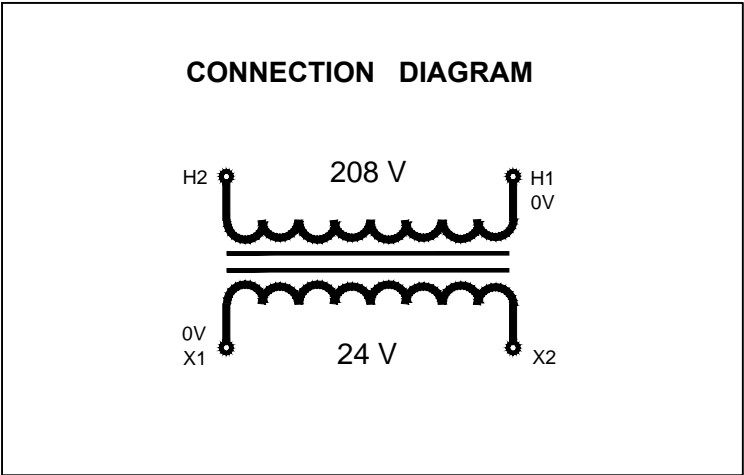
# MARCUS

Marcus Transformer LTD  
 Phone: 1-800-267-7376  
 Fax: 1-866-205-7526  
 Email: Info@marcustransformer.com

## TECHNICAL DATA

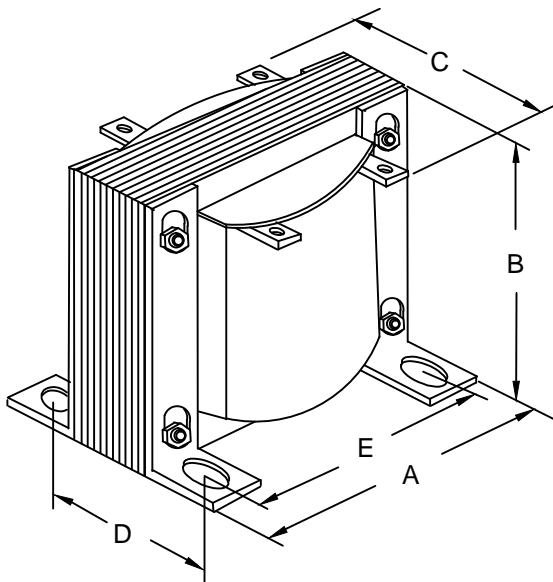
SINGLE PHASE CONTROL TRANSFORMER

DESCRIPTION	
MODEL	MO50Y
Type	Open
VA	50
Primary (Volts)	208
Secondary (Volts)	24
Input /Output Amps	0.24 / 2.08
Temperature Rise	80°C
Insulation Class	B (130°C)
Frequency	60Hz
Polarity	additive
Noise level	less than 40DB
Winding	Copper
Approvals	CE compliant UL listed CSA approved



## WIRING CONNECTION

PRIMARY :	
VOLTS 208	CONNECT LINES TO : H1-H2
SECONDARY :	
VOLTS 24	CONNECT LINES TO : X1-X2



## DIMENSIONS INCHES / MM

VA	A	B	C	D	E	MOUNTING HOLES INCHES / MM	SHIP WEIGHT LBS / KG
50	3.00 76.2	2.50 63.5	3.00 76.2	2.25 57.2	2.50 63.5	0.21 x 0.625 5.3 x 15.9	2.25 1.0

Notes: