

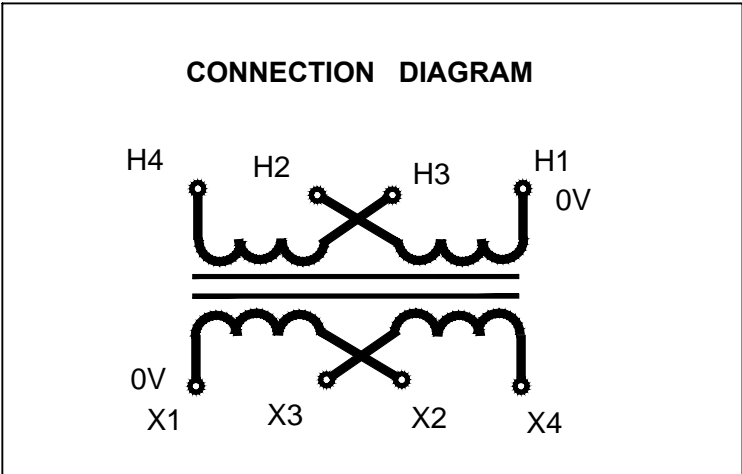


MARCUS

Marcus Transformer LTD
 Phone: 1-800-267-7376
 Fax: 1-866-205-7526
 Email: Info@marcustransformer.com

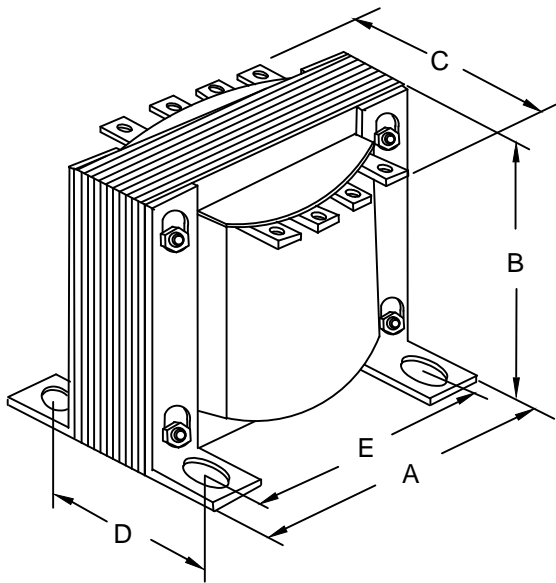
TECHNICAL DATA SINGLE PHASE CONTROL TRANSFORMER

DESCRIPTION	
MODEL	MO25A
Type	Open
VA	25
Primary (Volts)	120 / 240
Secondary (Volts)	12 / 24
Input /Output Amps	0.21 , 0.10 / 2.08 , 1.04
Temperature Rise	80°C
Insulation Class	B (130°C)
Frequency	50 / 60Hz
Polarity	additive
Noise level	less than 40DB
Winding	Copper
Approvals	CE compliant UL listed CSA approved



WIRING CONNECTION

PRIMARY :		
VOLTS	INTERCONNECT:	CONNECT LINES TO :
120	H1-H3 AND H2-H4	H1-H4
240	H2-H3	H1-H4
SECONDARY :		
VOLTS	INTERCONNECT:	CONNECT LINES TO :
12	X1-X3 AND X2-X4	X1-X4
24	X2-X3	X1-X4



DIMENSIONS INCHES / MM

VA	A	B	C	D	E	MOUNTING HOLES INCHES / MM	SHIP WEIGHT LBS / KG
25	3.00 76.2	2.50 63.5	2.77 70.4	1.98 50.3	2.50 63.5	0.21 x 0.625 5.3 x 15.9	1.25 0.6

Notes:

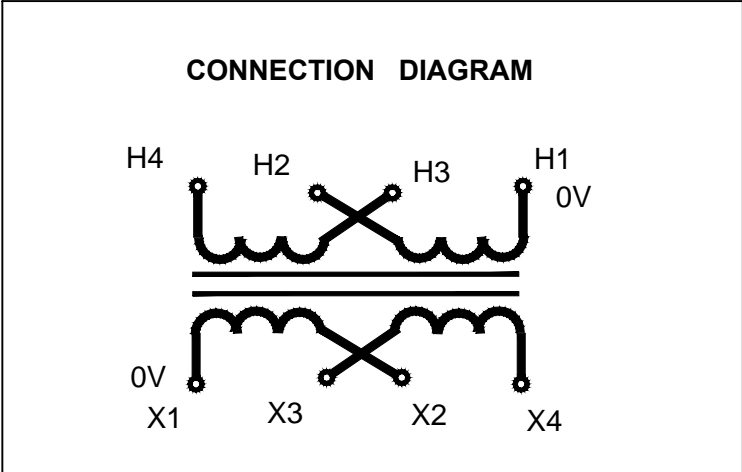


MARCUS

Marcus Transformer LTD
 Phone: 1-800-267-7376
 Fax: 1-866-205-7526
 Email: Info@marcustransformer.com

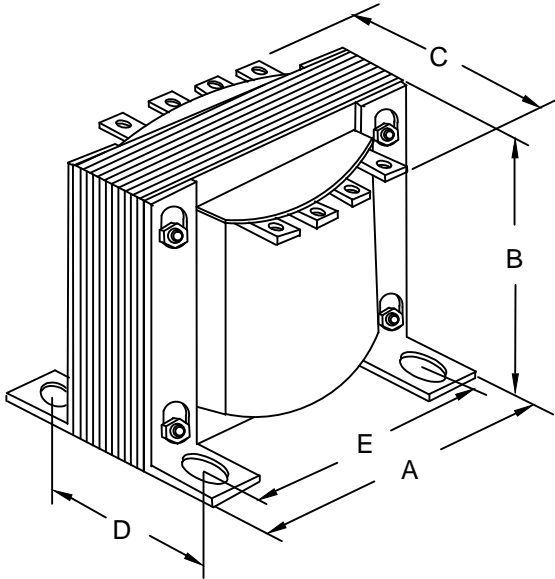
TECHNICAL DATA SINGLE PHASE CONTROL TRANSFORMER

DESCRIPTION	
MODEL	MO25B
Type	Open
VA	25
Primary (Volts)	120 / 240
Secondary (Volts)	120 / 240
Input /Output Amps	0.21 , 0.10 / 0.21 , 0.10
Temperature Rise	80°C
Insulation Class	B (130°C)
Frequency	50 / 60Hz
Polarity	additive
Noise level	less than 40DB
Winding	Copper
Approvals	CE compliant UL listed CSA approved



WIRING CONNECTION

PRIMARY :		
VOLTS	INTERCONNECT:	CONNECT LINES TO :
120	H1-H3 AND H2-H4	H1-H4
240	H2-H3	H1-H4
SECONDARY :		
VOLTS	INTERCONNECT:	CONNECT LINES TO :
120	X1-X3 AND X2-X4	X1-X4
240	X2-X3	X1-X4



DIMENSIONS INCHES / MM

VA	A	B	C	D	E	MOUNTING HOLES INCHES / MM	SHIP WEIGHT LBS / KG
25	3.00 76.2	2.50 63.5	2.77 70.4	1.98 50.3	2.50 63.5	0.21 x 0.625 5.3 x 15.9	1.25 0.6

Notes:

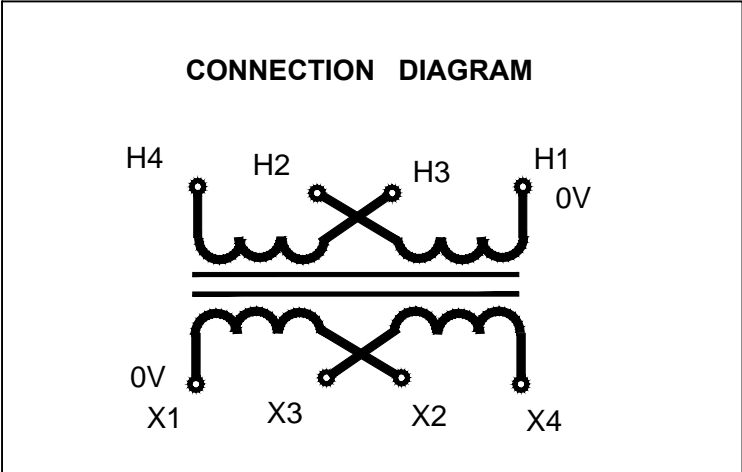


MARCUS

Marcus Transformer LTD
 Phone: 1-800-267-7376
 Fax: 1-866-205-7526
 Email: Info@marcustransformer.com

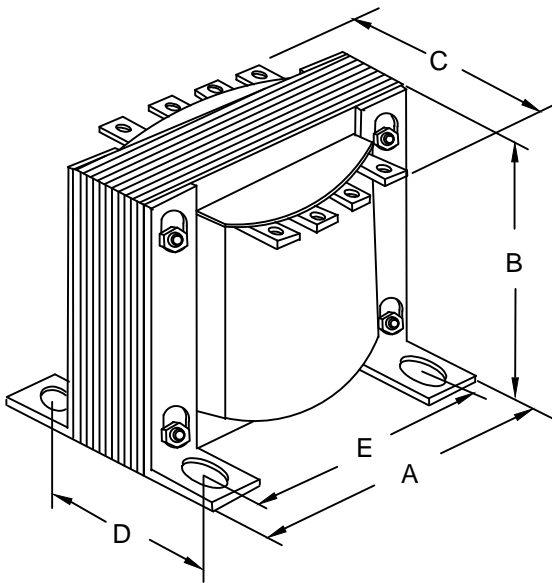
TECHNICAL DATA SINGLE PHASE CONTROL TRANSFORMER

DESCRIPTION	
MODEL	MO25C
Type	Open
VA	25
Primary (Volts)	208 / 416
Secondary (Volts)	12 / 24
Input /Output Amps	0.12 , 0.06 / 2.08 , 1.04
Temperature Rise	80°C
Insulation Class	B (130°C)
Frequency	50 / 60Hz
Polarity	additive
Noise level	less than 40DB
Winding	Copper
Approvals	CE compliant UL listed CSA approved



WIRING CONNECTION

PRIMARY :		
VOLTS	INTERCONNECT:	CONNECT LINES TO :
208	H1-H3 AND H2-H4	H1-H4
416	H2-H3	H1-H4
SECONDARY :		
VOLTS	INTERCONNECT:	CONNECT LINES TO :
12	X1-X3 AND X2-X4	X1-X4
24	X2-X3	X1-X4



DIMENSIONS INCHES / MM

VA	A	B	C	D	E	MOUNTING HOLES INCHES / MM	SHIP WEIGHT LBS / KG
2.5	3.00 76.2	2.50 63.5	2.77 70.4	1.98 50.3	2.50 63.5	0.21 x 0.625 5.3 x 15.9	1.25 0.6

Notes:

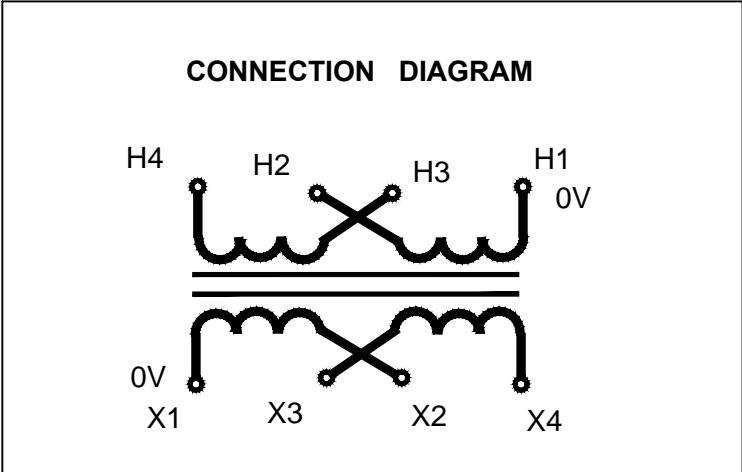


MARCUS

Marcus Transformer LTD
 Phone: 1-800-267-7376
 Fax: 1-866-205-7526
 Email: Info@marcustransformer.com

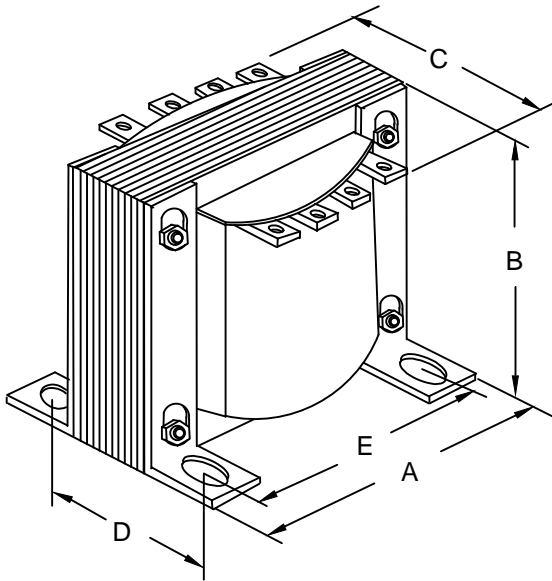
TECHNICAL DATA SINGLE PHASE CONTROL TRANSFORMER

DESCRIPTION	
MODEL	MO25D
Type	Open
VA	25
Primary (Volts)	208 / 416
Secondary (Volts)	120 / 240
Input /Output Amps	0.12 , 0.06 / 0.21 , 0.10
Temperature Rise	80°C
Insulation Class	B (130°C)
Frequency	50 / 60Hz
Polarity	additive
Noise level	less than 40DB
Winding	Copper
Approvals	CE compliant UL listed CSA approved



WIRING CONNECTION

PRIMARY :		
VOLTS	INTERCONNECT:	CONNECT LINES TO :
208	H1-H3 AND H2-H4	H1-H4
416	H2-H3	H1-H4
SECONDARY :		
VOLTS	INTERCONNECT:	CONNECT LINES TO :
120	X1-X3 AND X2-X4	X1-X4
240	X2-X3	X1-X4



DIMENSIONS INCHES / MM

VA	A	B	C	D	E	MOUNTING HOLES INCHES / MM	SHIP WEIGHT LBS / KG
2.5	3.00 76.2	2.50 63.5	2.77 70.4	1.98 50.3	2.50 63.5	0.21 x 0.625 5.3 x 15.9	1.25 0.6

Notes:

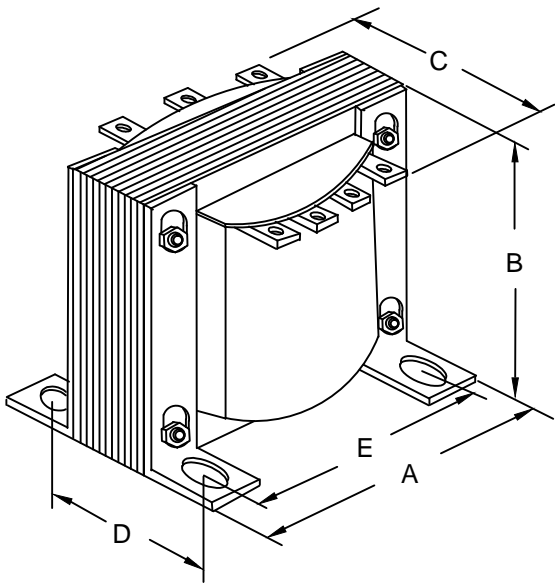
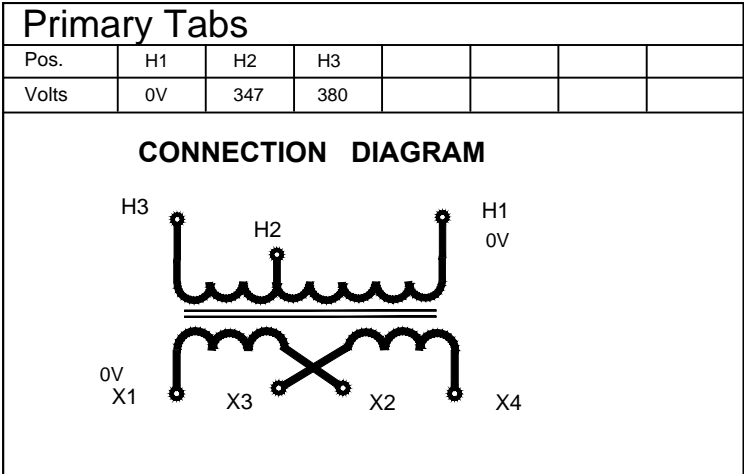


MARCUS

Marcus Transformer LTD
 Phone: 1-800-267-7376
 Fax: 1-866-205-7526
 Email: Info@marcustransformer.com

TECHNICAL DATA SINGLE PHASE CONTROL TRANSFORMER

DESCRIPTION	
MODEL	MO25E
Type	Open
VA	25
Primary (Volts)	347 / 380
Secondary (Volts)	120 / 240
Input / Output Amps	0.07 , 0.06 / 0.21 , 0.10
Temperature Rise	80°C
Insulation Class	B (130°C)
Frequency	50 / 60Hz
Polarity	additive
Noise level	less than 40DB
Winding	Copper
Approvals	CE compliant UL listed CSA approved



WIRING CONNECTION

PRIMARY :		
VOLTS	CONNECT LINES TO :	
347	H1-H2	
380	H1-H3	
SECONDARY :		
VOLTS	INTERCONNECT:	CONNECT LINES TO :
120	X1-X3 AND X2-X4	X1-X4
240	X2-X3	X1-X4

DIMENSIONS INCHES / MM

VA	A	B	C	D	E	MOUNTING HOLES INCHES / MM	SHIP WEIGHT LBS / KG
25	3.00 76.2	2.50 63.5	2.77 70.4	1.98 50.3	2.50 63.5	0.21 x 0.625 5.3 x 15.9	1.25 0.6

Notes:

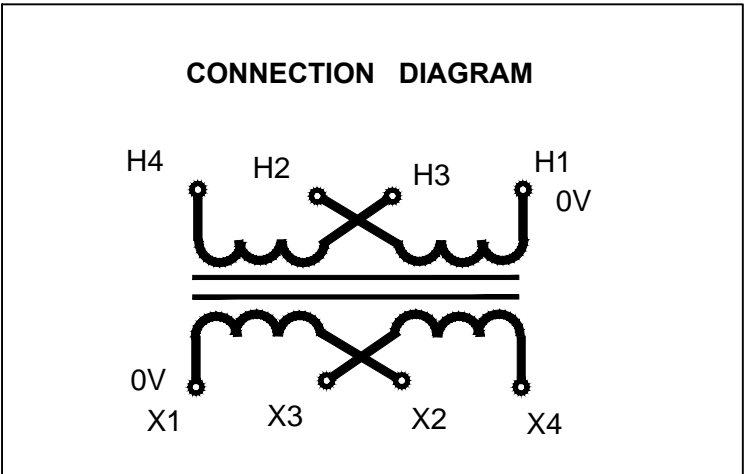


MARCUS

Marcus Transformer LTD
 Phone: 1-800-267-7376
 Fax: 1-866-205-7526
 Email: Info@marcustransformer.com

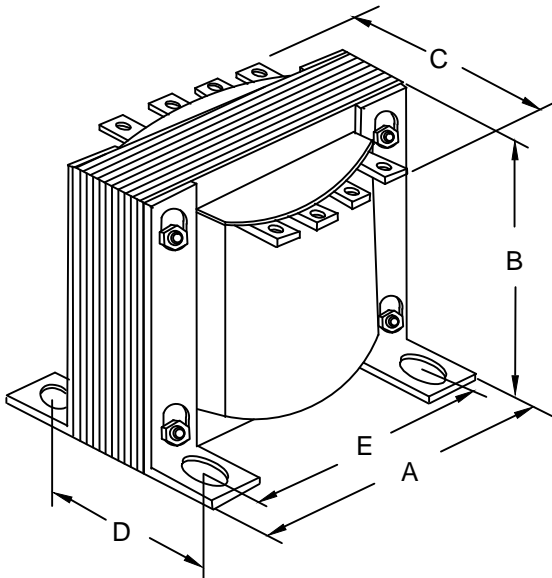
TECHNICAL DATA SINGLE PHASE CONTROL TRANSFORMER

DESCRIPTION	
MODEL	MO25F
Type	Open
VA	25
Primary (Volts)	240 / 480
Secondary (Volts)	120 / 240
Input /Output Amps	0.10 , 0.05 / 0.21 , 0.10
Temperature Rise	80°C
Insulation Class	B (130°C)
Frequency	60Hz
Polarity	additive
Noise level	less than 40DB
Winding	Copper
Approvals	CE compliant UL listed CSA approved



WIRING CONNECTION

PRIMARY :		
VOLTS	INTERCONNECT:	CONNECT LINES TO :
240	H1-H3 AND H2-H4	H1-H4
480	H2-H3	H1-H4
SECONDARY :		
VOLTS	INTERCONNECT:	CONNECT LINES TO :
120	X1-X3 AND X2-X4	X1-X4
240	X2-X3	X1-X4



DIMENSIONS INCHES / MM

VA	A	B	C	D	E	MOUNTING HOLES INCHES / MM	SHIP WEIGHT LBS / KG
25	3.00 76.2	2.50 63.5	2.77 70.4	1.98 50.3	2.50 63.5	0.21 x 0.625 5.3 x 15.9	1.25 0.6

Notes:

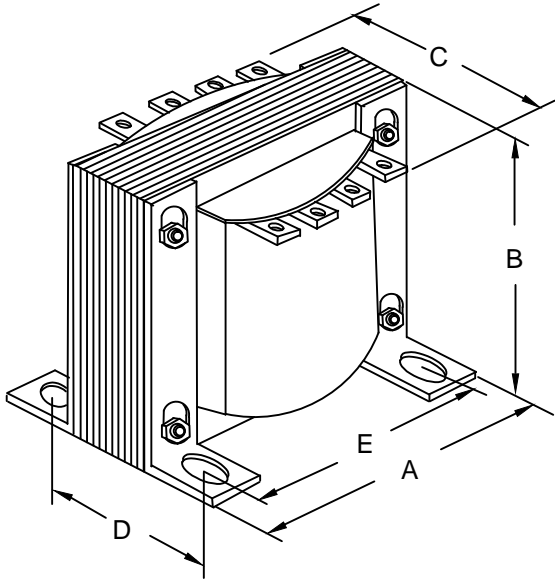
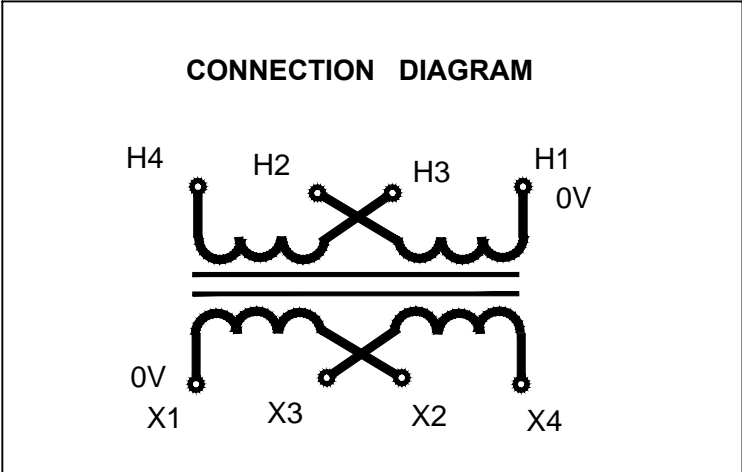


MARCUS

Marcus Transformer LTD
 Phone: 1-800-267-7376
 Fax: 1-866-205-7526
 Email: Info@marcustransformer.com

TECHNICAL DATA SINGLE PHASE CONTROL TRANSFORMER

DESCRIPTION	
MODEL	MO25G
Type	Open
VA	25
Primary (Volts)	240 / 480
Secondary (Volts)	12 / 24
Input /Output Amps	0.10 , 0.05 / 2.08 , 1.04
Temperature Rise	80°C
Insulation Class	B (130°C)
Frequency	60Hz
Polarity	additive
Noise level	less than 40DB
Winding	Copper
Approvals	CE compliant UL listed CSA approved



WIRING CONNECTION

PRIMARY :		
VOLTS	INTERCONNECT:	CONNECT LINES TO :
240	H1-H3 AND H2-H4	H1-H4
480	H2-H3	H1-H4
SECONDARY :		
VOLTS	INTERCONNECT:	CONNECT LINES TO :
12	X1-X3 AND X2-X4	X1-X4
24	X2-X3	X1-X4

DIMENSIONS INCHES / MM

VA	A	B	C	D	E	MOUNTING HOLES INCHES / MM	SHIP WEIGHT LBS / KG
25	3.00 76.2	2.50 63.5	2.77 70.4	1.98 50.3	2.50 63.5	0.21 x 0.625 5.3 x 15.9	1.25 0.6

Notes:

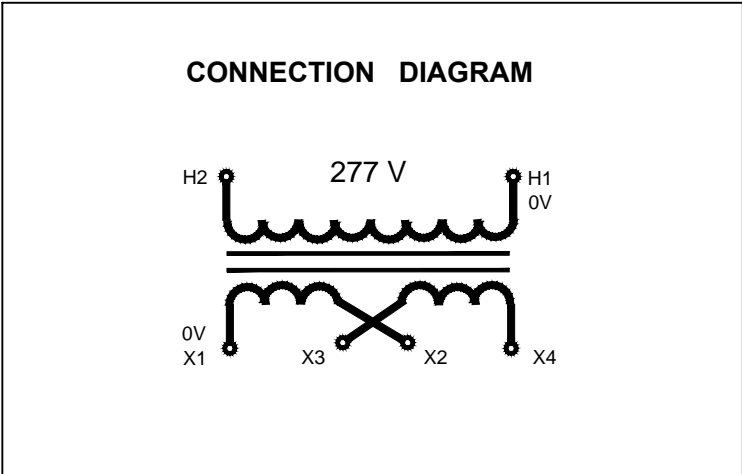


MARCUS

Marcus Transformer LTD
 Phone: 1-800-267-7376
 Fax: 1-866-205-7526
 Email: Info@marcustransformer.com

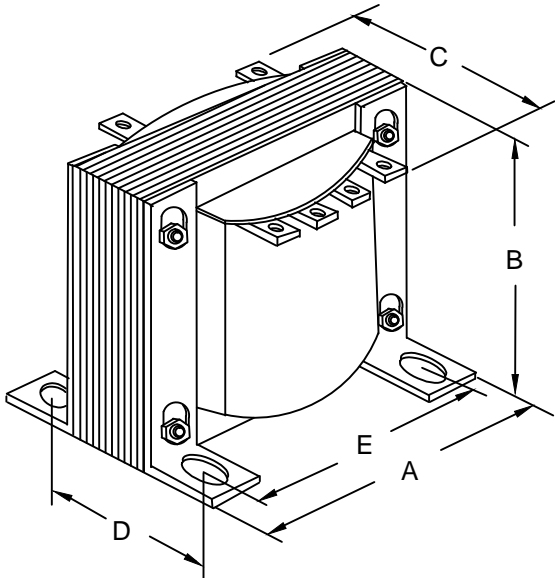
TECHNICAL DATA SINGLE PHASE CONTROL TRANSFORMER

DESCRIPTION	
MODEL	MO25H
Type	Open
VA	25
Primary (Volts)	277
Secondary (Volts)	120 / 240
Input /Output Amps	0.09 / 0.21 , 0.10
Temperature Rise	80°C
Insulation Class	B (130°C)
Frequency	60Hz
Polarity	additive
Noise level	less than 40DB
Winding	Copper
Approvals	CE compliant UL listed CSA approved



WIRING CONNECTION

PRIMARY :		
VOLTS 277	CONNECT LINES TO : H1-H2	
SECONDARY :		
VOLTS 120 240 120/240	INTERCONNECT: X1-X3 AND X2-X4 X2-X3 X2-X3	CONNECT LINES TO : X1-X4 X1-X4 X1-X3-X4



DIMENSIONS INCHES / MM

VA	A	B	C	D	E	MOUNTING HOLES INCHES / MM	SHIP WEIGHT LBS / KG
25	3.00 76.2	2.50 63.5	2.77 70.4	1.98 50.3	2.50 63.5	0.21 x 0.625 5.3 x 15.9	1.25 0.6

Notes:

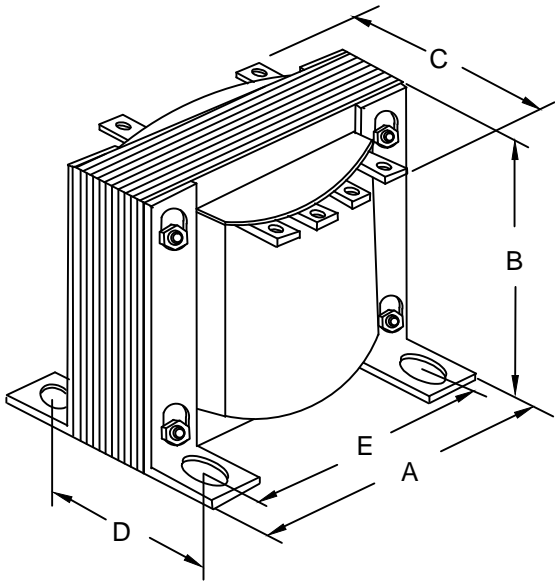
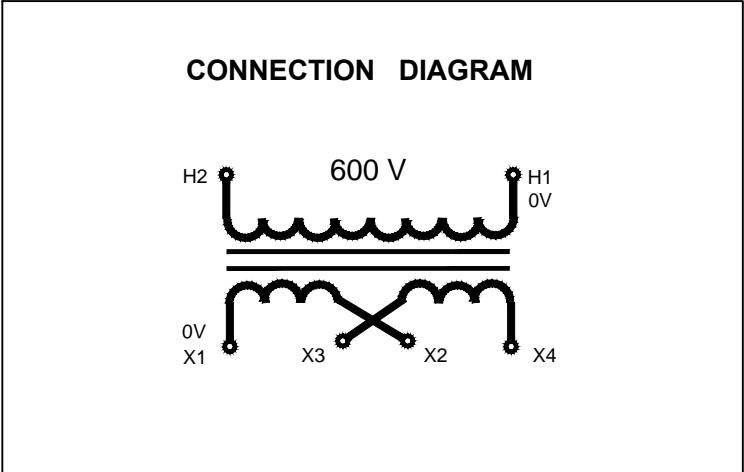


MARCUS

Marcus Transformer LTD
 Phone: 1-800-267-7376
 Fax: 1-866-205-7526
 Email: Info@marcustransformer.com

TECHNICAL DATA SINGLE PHASE CONTROL TRANSFORMER

DESCRIPTION	
MODEL	MO25I
Type	Open
VA	25
Primary (Volts)	600
Secondary (Volts)	12 / 24
Input /Output Amps	0.04 / 2.08 , 1.04
Temperature Rise	80°C
Insulation Class	B (130°C)
Frequency	60Hz
Polarity	additive
Noise level	less than 40DB
Winding	Copper
Approvals	CE compliant UL listed CSA approved



WIRING CONNECTION

PRIMARY :		
VOLTS	CONNECT LINES TO :	
600	H1-H2	
SECONDARY :		
VOLTS	INTERCONNECT:	CONNECT LINES TO :
12	X1-X3 AND X2-X4	X1-X4
24	X2-X3	X1-X4
12/24	X2-X3	X1-X3-X4

DIMENSIONS INCHES / MM

VA	A	B	C	D	E	MOUNTING HOLES INCHES / MM	SHIP WEIGHT LBS / KG
25	3.00 76.2	2.50 63.5	2.77 70.4	1.98 50.3	2.50 63.5	0.21 x 0.625 5.3 x 15.9	1.25 0.6

Notes:



MARCUS

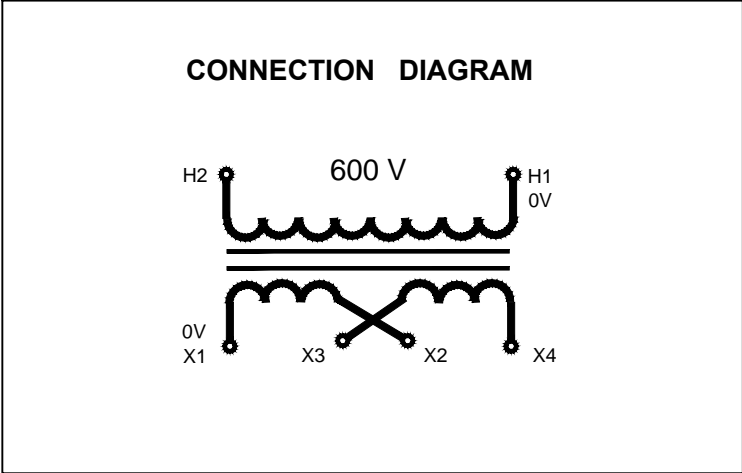
Marcus Transformer LTD
 Phone: 1-800-267-7376
 Fax: 1-866-205-7526
 Email: Info@marcustransformer.com

TECHNICAL DATA

SINGLE PHASE CONTROL TRANSFORMER

DESCRIPTION

MODEL	MO25J
Type	Open
VA	25
Primary (Volts)	600
Secondary (Volts)	120 / 240
Input /Output Amps	0.04 / 0.21 , 0.10
Temperature Rise	80°C
Insulation Class	B (130°C)
Frequency	60Hz
Polarity	additive
Noise level	less than 40DB
Winding	Copper
Approvals	CE compliant UL listed CSA approved

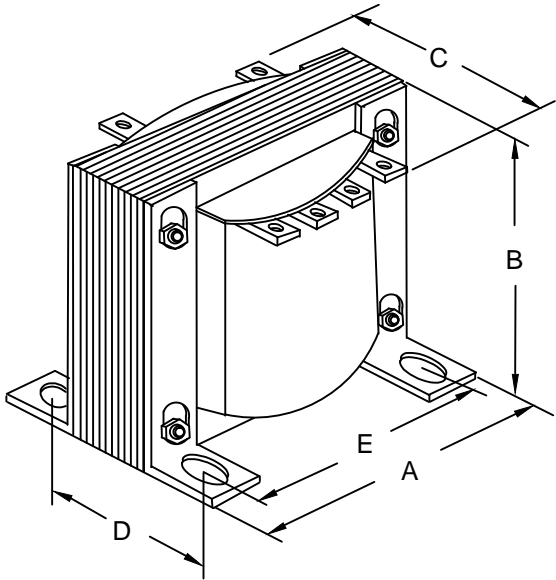


WIRING CONNECTION

PRIMARY :		
VOLTS	CONNECT LINES TO :	
600	H1-H2	
SECONDARY :		
VOLTS	INTERCONNECT:	CONNECT LINES TO :
120	X1-X3 AND X2-X4	X1-X4
240	X2-X3	X1-X4
120/240	X2-X3	X1-X3-X4

DIMENSIONS INCHES / MM

VA	A	B	C	D	E	MOUNTING HOLES INCHES / MM	SHIP WEIGHT LBS / KG
25	3.00 76.2	2.50 63.5	2.77 70.4	1.98 50.3	2.50 63.5	0.21 x 0.625 5.3 x 15.9	1.25 0.6



Notes:

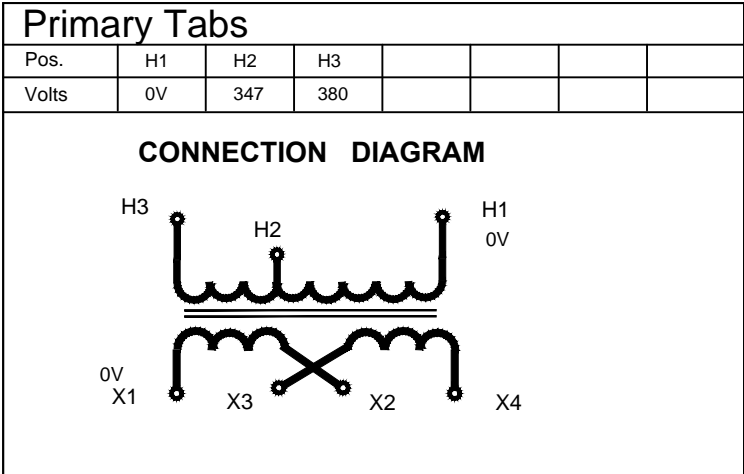


MARCUS

Marcus Transformer LTD
 Phone: 1-800-267-7376
 Fax: 1-866-205-7526
 Email: Info@marcustransformer.com

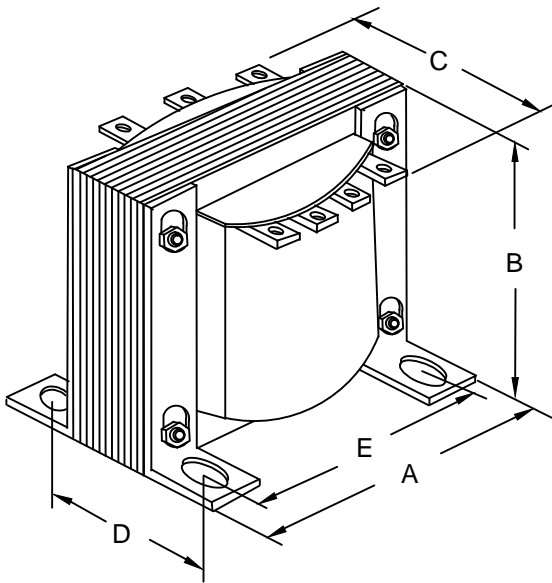
TECHNICAL DATA SINGLE PHASE CONTROL TRANSFORMER

DESCRIPTION	
MODEL	MO25K
Type	Open
VA	25
Primary (Volts)	347 / 380
Secondary (Volts)	12 / 24
Input / Output Amps	0.07 , 0.06 / 2.08 , 1.04
Temperature Rise	80°C
Insulation Class	B (130°C)
Frequency	50 / 60Hz
Polarity	additive
Noise level	less than 40DB
Winding	Copper
Approvals	CE compliant UL listed CSA approved



WIRING CONNECTION

PRIMARY :		
VOLTS	CONNECT LINES TO :	
347	H1-H2	
380	H1-H3	
SECONDARY :		
VOLTS	INTERCONNECT:	CONNECT LINES TO :
12	X1-X3 AND X2-X4	X1-X4
24	X2-X3	X1-X4



DIMENSIONS INCHES / MM

VA	A	B	C	D	E	MOUNTING HOLES INCHES / MM	SHIP WEIGHT LBS / KG
25	3.00 76.2	2.50 63.5	2.77 70.4	1.98 50.3	2.50 63.5	0.21 x 0.625 5.3 x 15.9	1.25 0.6

Notes:



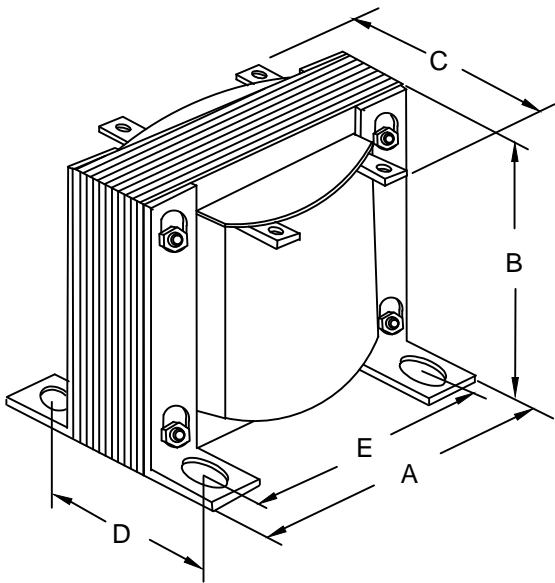
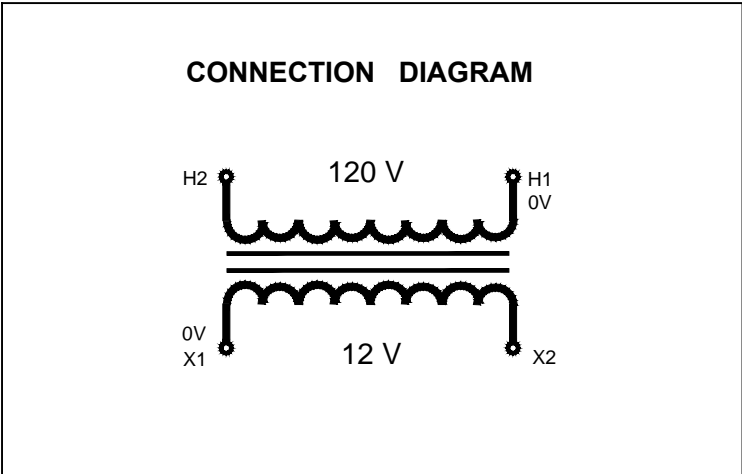
MARCUS

Marcus Transformer LTD
 Phone: 1-800-267-7376
 Fax: 1-866-205-7526
 Email: Info@marcustransformer.com

TECHNICAL DATA

SINGLE PHASE CONTROL TRANSFORMER

DESCRIPTION	
MODEL	MO25M
Type	Open
VA	25
Primary (Volts)	120
Secondary (Volts)	12
Input /Output Amps	0.21 / 2.08
Temperature Rise	80°C
Insulation Class	B (130°C)
Frequency	60Hz
Polarity	additive
Noise level	less than 40DB
Winding	Copper
Approvals	CE compliant UL listed CSA approved



WIRING CONNECTION

PRIMARY :	
VOLTS 120	CONNECT LINES TO : H1-H2
SECONDARY :	
VOLTS 12	CONNECT LINES TO : X1-X2

DIMENSIONS INCHES / MM

VA	A	B	C	D	E	MOUNTING HOLES INCHES / MM	SHIP WEIGHT LBS / KG
25	3.00 76.2	2.50 63.5	2.77 70.4	1.98 50.3	2.50 63.5	0.21 x 0.625 5.3 x 15.9	1.25 0.6

Notes:

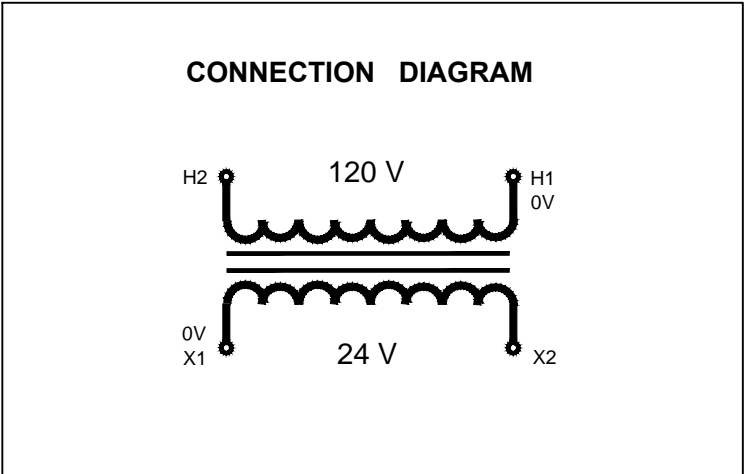


MARCUS

Marcus Transformer LTD
 Phone: 1-800-267-7376
 Fax: 1-866-205-7526
 Email: Info@marcustransformer.com

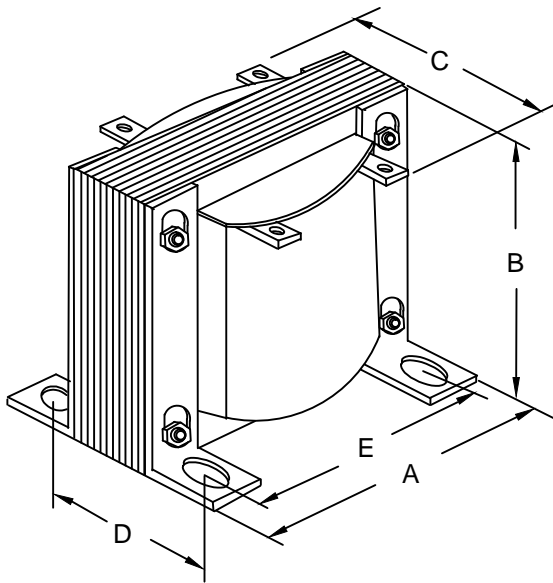
TECHNICAL DATA SINGLE PHASE CONTROL TRANSFORMER

DESCRIPTION	
MODEL	MO25N
Type	Open
VA	25
Primary (Volts)	120
Secondary (Volts)	24
Input /Output Amps	0.21 / 1.04
Temperature Rise	80°C
Insulation Class	B (130°C)
Frequency	60Hz
Polarity	additive
Noise level	less than 40DB
Winding	Copper
Approvals	CE compliant UL listed CSA approved



WIRING CONNECTION

PRIMARY :	
VOLTS 120	CONNECT LINES TO : H1-H2
SECONDARY :	
VOLTS 24	CONNECT LINES TO : X1-X2



DIMENSIONS INCHES / MM

VA	A	B	C	D	E	MOUNTING HOLES INCHES / MM	SHIP WEIGHT LBS / KG
25	3.00 76.2	2.50 63.5	2.77 70.4	1.98 50.3	2.50 63.5	0.21 x 0.625 5.3 x 15.9	1.25 0.6

Notes:

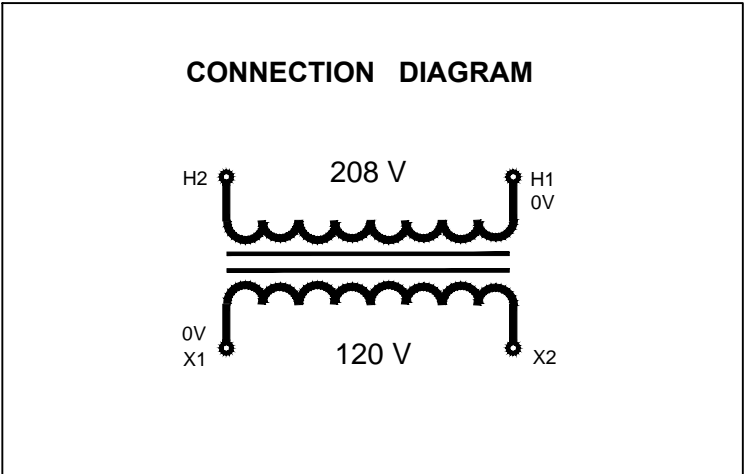


MARCUS

Marcus Transformer LTD
 Phone: 1-800-267-7376
 Fax: 1-866-205-7526
 Email: Info@marcustransformer.com

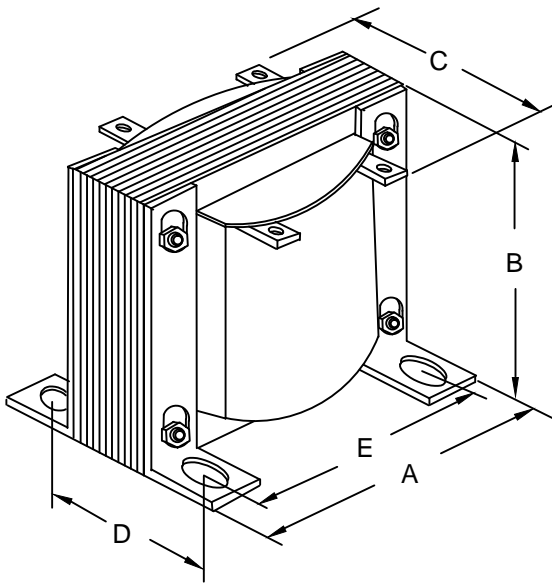
TECHNICAL DATA SINGLE PHASE CONTROL TRANSFORMER

DESCRIPTION	
MODEL	MO250
Type	Open
VA	25
Primary (Volts)	208
Secondary (Volts)	120
Input /Output Amps	0.12 / 0.21
Temperature Rise	80°C
Insulation Class	B (130°C)
Frequency	60Hz
Polarity	additive
Noise level	less than 40DB
Winding	Copper
Approvals	CE compliant UL listed CSA approved



WIRING CONNECTION

PRIMARY :	
VOLTS 208	CONNECT LINES TO : H1-H2
SECONDARY :	
VOLTS 120	CONNECT LINES TO : X1-X2



DIMENSIONS INCHES / MM

VA	A	B	C	D	E	MOUNTING HOLES INCHES / MM	SHIP WEIGHT LBS / KG
25	3.00 76.2	2.50 63.5	2.77 70.4	1.98 50.3	2.50 63.5	0.21 x 0.625 5.3 x 15.9	1.25 0.6

Notes:



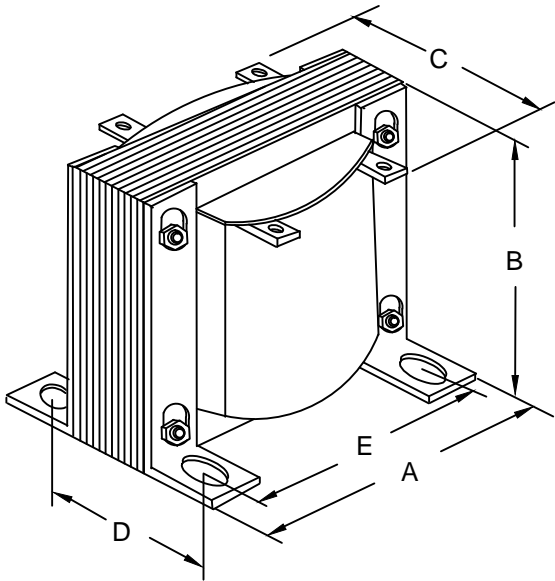
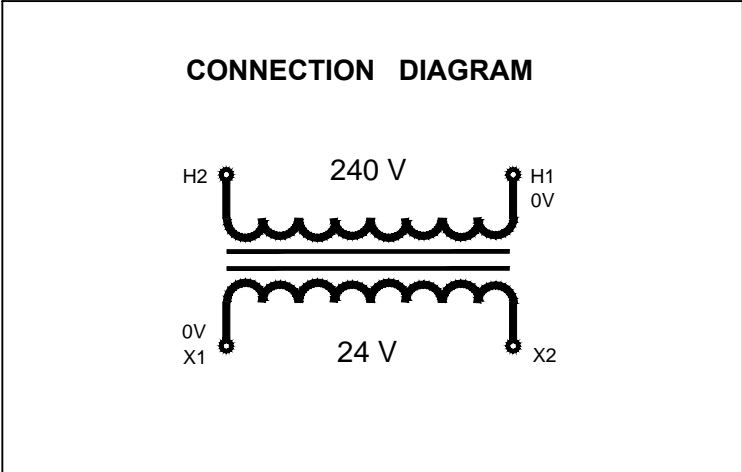
MARCUS

Marcus Transformer LTD
 Phone: 1-800-267-7376
 Fax: 1-866-205-7526
 Email: Info@marcustransformer.com

TECHNICAL DATA

SINGLE PHASE CONTROL TRANSFORMER

DESCRIPTION	
MODEL	MO25P
Type	Open
VA	25
Primary (Volts)	240
Secondary (Volts)	24
Input /Output Amps	0.10 / 1.04
Temperature Rise	80°C
Insulation Class	B (130°C)
Frequency	60Hz
Polarity	additive
Noise level	less than 40DB
Winding	Copper
Approvals	CE compliant UL listed CSA approved



WIRING CONNECTION

PRIMARY :	
VOLTS 240	CONNECT LINES TO : H1-H2
SECONDARY :	
VOLTS 24	CONNECT LINES TO : X1-X2

DIMENSIONS INCHES / MM

VA	A	B	C	D	E	MOUNTING HOLES INCHES / MM	SHIP WEIGHT LBS / KG
25	3.00 76.2	2.50 63.5	2.77 70.4	1.98 50.3	2.50 63.5	0.21 x 0.625 5.3 x 15.9	1.25 0.6

Notes:



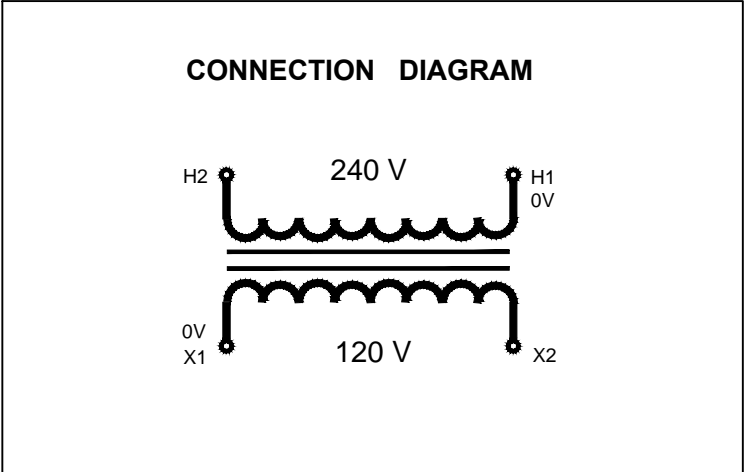
MARCUS

Marcus Transformer LTD
 Phone: 1-800-267-7376
 Fax: 1-866-205-7526
 Email: Info@marcustransformer.com

TECHNICAL DATA

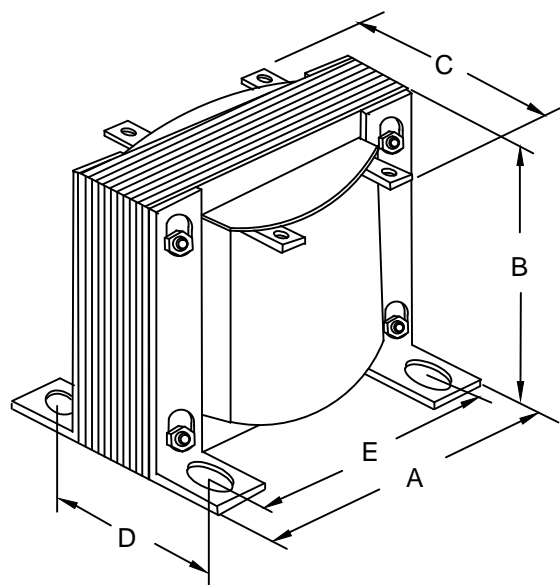
SINGLE PHASE CONTROL TRANSFORMER

DESCRIPTION	
MODEL	MO25Q
Type	Open
VA	25
Primary (Volts)	240
Secondary (Volts)	120
Input /Output Amps	0.10 / 0.21
Temperature Rise	80°C
Insulation Class	B (130°C)
Frequency	60Hz
Polarity	additive
Noise level	less than 40DB
Winding	Copper
Approvals	CE compliant UL listed CSA approved



WIRING CONNECTION

PRIMARY :	
VOLTS 240	CONNECT LINES TO : H1-H2
SECONDARY :	
VOLTS 120	CONNECT LINES TO : X1-X2



DIMENSIONS INCHES / MM

VA	A	B	C	D	E	MOUNTING HOLES INCHES / MM	SHIP WEIGHT LBS / KG
25	3.00 76.2	2.50 63.5	2.77 70.4	1.98 50.3	2.50 63.5	0.21 x 0.625 5.3 x 15.9	1.25 0.6

Notes:

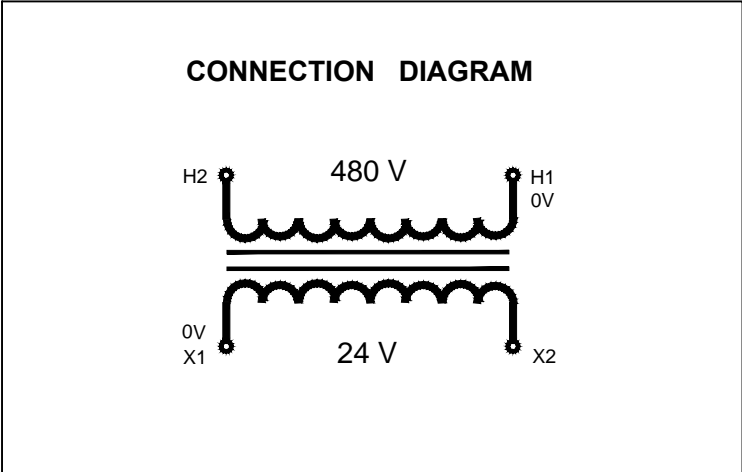


MARCUS

Marcus Transformer LTD
 Phone: 1-800-267-7376
 Fax: 1-866-205-7526
 Email: Info@marcustransformer.com

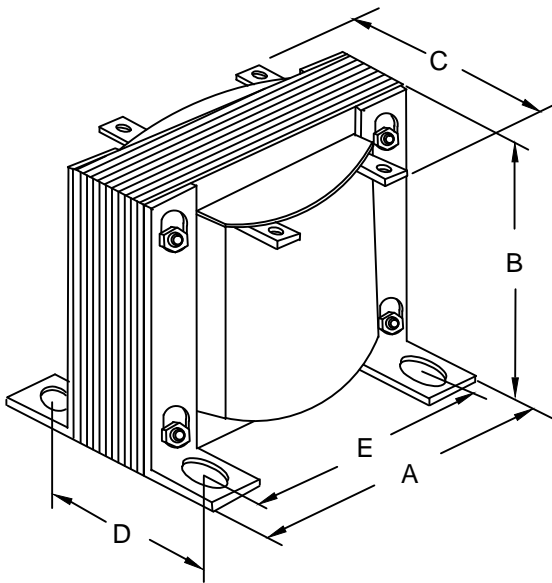
TECHNICAL DATA SINGLE PHASE CONTROL TRANSFORMER

DESCRIPTION	
MODEL	MO25R
Type	Open
VA	25
Primary (Volts)	480
Secondary (Volts)	24
Input /Output Amps	0.05 / 1.04
Temperature Rise	80°C
Insulation Class	B (130°C)
Frequency	60Hz
Polarity	additive
Noise level	less than 40DB
Winding	Copper
Approvals	CE compliant UL listed CSA approved



WIRING CONNECTION

PRIMARY :	
VOLTS 480	CONNECT LINES TO : H1-H2
SECONDARY :	
VOLTS 24	CONNECT LINES TO : X1-X2



DIMENSIONS INCHES / MM

VA	A	B	C	D	E	MOUNTING HOLES INCHES / MM	SHIP WEIGHT LBS / KG
25	3.00 76.2	2.50 63.5	2.77 70.4	1.98 50.3	2.50 63.5	0.21 x 0.625 5.3 x 15.9	1.25 0.6

Notes:



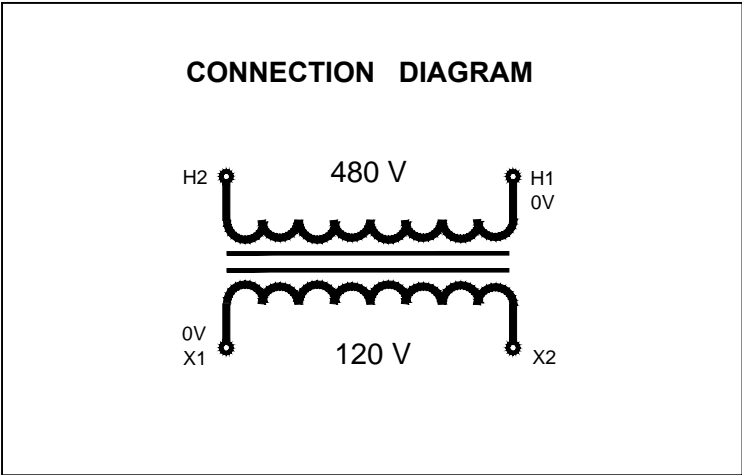
MARCUS

Marcus Transformer LTD
 Phone: 1-800-267-7376
 Fax: 1-866-205-7526
 Email: Info@marcustransformer.com

TECHNICAL DATA

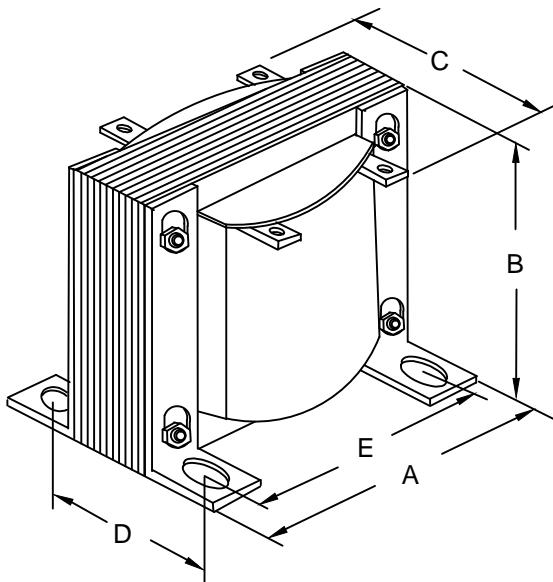
SINGLE PHASE CONTROL TRANSFORMER

DESCRIPTION	
MODEL	MO25S
Type	Open
VA	25
Primary (Volts)	480
Secondary (Volts)	120
Input /Output Amps	0.05 / 0.21
Temperature Rise	80°C
Insulation Class	B (130°C)
Frequency	60Hz
Polarity	additive
Noise level	less than 40DB
Winding	Copper
Approvals	CE compliant UL listed CSA approved



WIRING CONNECTION

PRIMARY :	
VOLTS 480	CONNECT LINES TO : H1-H2
SECONDARY :	
VOLTS 120	CONNECT LINES TO : X1-X2



DIMENSIONS INCHES / MM

VA	A	B	C	D	E	MOUNTING HOLES INCHES / MM	SHIP WEIGHT LBS / KG
25	3.00 76.2	2.50 63.5	2.77 70.4	1.98 50.3	2.50 63.5	0.21 x 0.625 5.3 x 15.9	1.25 0.6

Notes:

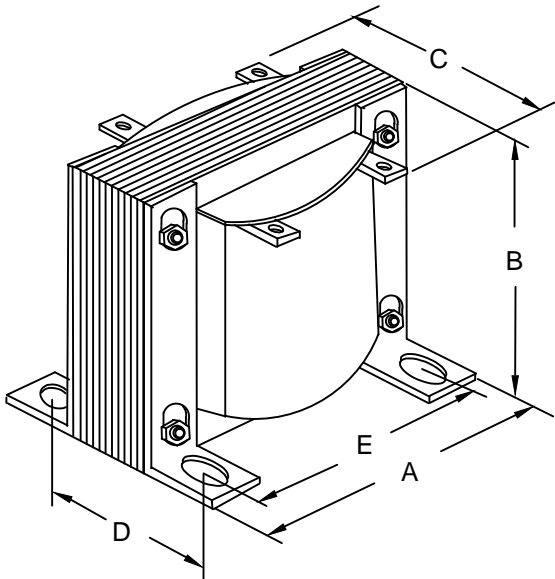
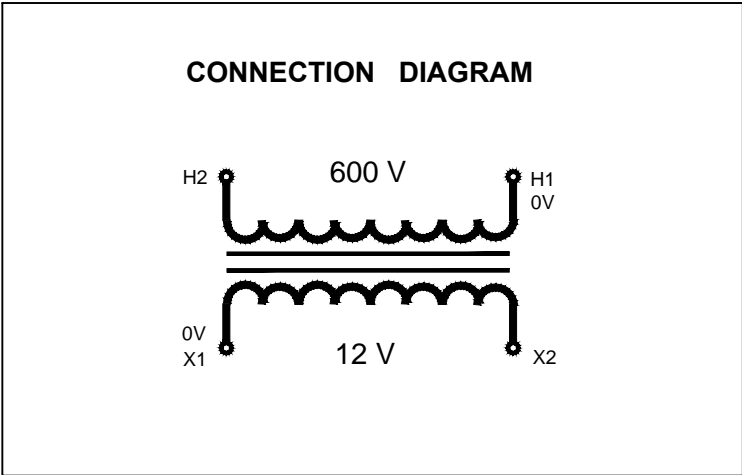


MARCUS

Marcus Transformer LTD
 Phone: 1-800-267-7376
 Fax: 1-866-205-7526
 Email: Info@marcustransformer.com

TECHNICAL DATA SINGLE PHASE CONTROL TRANSFORMER

DESCRIPTION	
MODEL	MO25T
Type	Open
VA	25
Primary (Volts)	600
Secondary (Volts)	12
Input /Output Amps	0.04 / 2.08
Temperature Rise	80°C
Insulation Class	B (130°C)
Frequency	60Hz
Polarity	additive
Noise level	less than 40DB
Winding	Copper
Approvals	CE compliant UL listed CSA approved



WIRING CONNECTION

PRIMARY :	
VOLTS 600	CONNECT LINES TO : H1-H2
SECONDARY :	
VOLTS 12	CONNECT LINES TO : X1-X2

DIMENSIONS INCHES / MM

VA	A	B	C	D	E	MOUNTING HOLES INCHES / MM	SHIP WEIGHT LBS / KG
25	3.00 76.2	2.50 63.5	2.77 70.4	1.98 50.3	2.50 63.5	0.21 x 0.625 5.3 x 15.9	1.25 0.6

Notes:



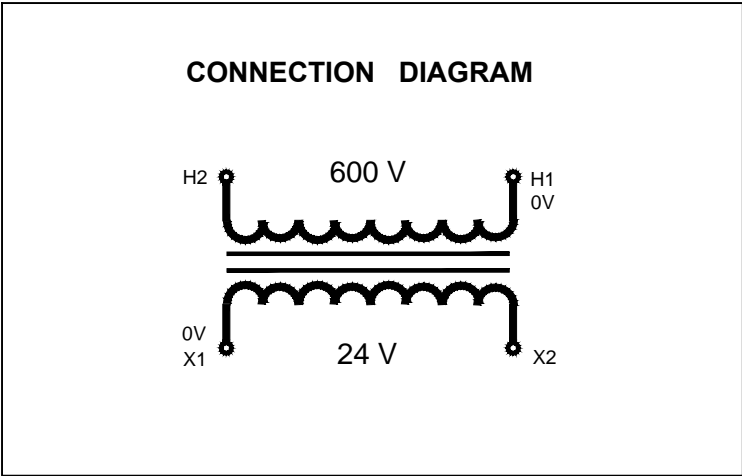
MARCUS

Marcus Transformer LTD
 Phone: 1-800-267-7376
 Fax: 1-866-205-7526
 Email: Info@marcustransformer.com

TECHNICAL DATA

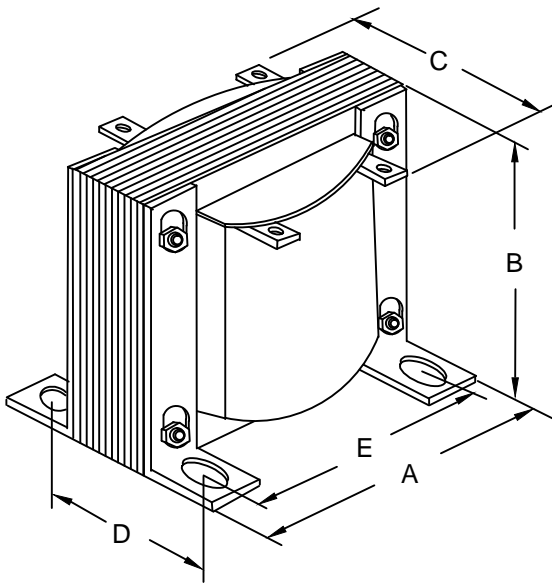
SINGLE PHASE CONTROL TRANSFORMER

DESCRIPTION	
MODEL	MO25U
Type	Open
VA	25
Primary (Volts)	600
Secondary (Volts)	24
Input /Output Amps	0.04 / 1.04
Temperature Rise	80°C
Insulation Class	B (130°C)
Frequency	60Hz
Polarity	additive
Noise level	less than 40DB
Winding	Copper
Approvals	CE compliant UL listed CSA approved



WIRING CONNECTION

PRIMARY :	
VOLTS 600	CONNECT LINES TO : H1-H2
SECONDARY :	
VOLTS 24	CONNECT LINES TO : X1-X2



DIMENSIONS INCHES / MM

VA	A	B	C	D	E	MOUNTING HOLES INCHES / MM	SHIP WEIGHT LBS / KG
25	3.00 76.2	2.50 63.5	2.77 70.4	1.98 50.3	2.50 63.5	0.21 x 0.625 5.3 x 15.9	1.25 0.6

Notes:



MARCUS

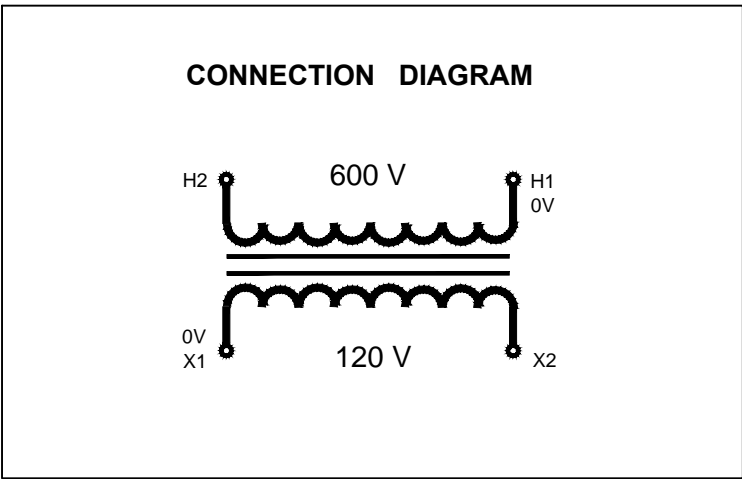
Marcus Transformer LTD
 Phone: 1-800-267-7376
 Fax: 1-866-205-7526
 Email: Info@marcustransformer.com

TECHNICAL DATA

SINGLE PHASE CONTROL TRANSFORMER

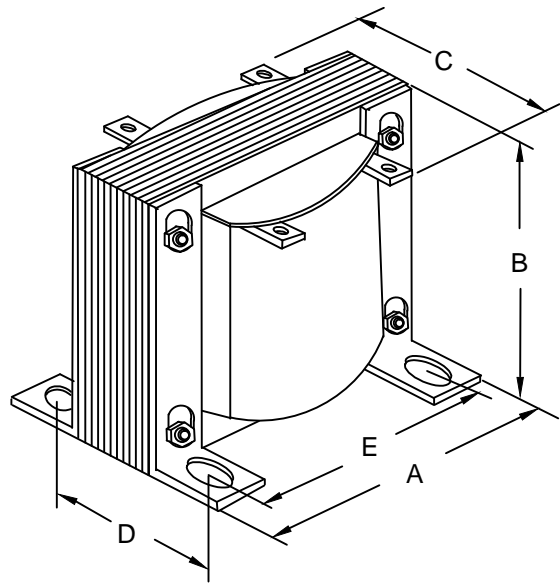
DESCRIPTION

MODEL	MO25V
Type	Open
VA	25
Primary (Volts)	600
Secondary (Volts)	120
Input /Output Amps	0.04 / 0.21
Temperature Rise	80°C
Insulation Class	B (130°C)
Frequency	60Hz
Polarity	additive
Noise level	less than 40DB
Winding	Copper
Approvals	CE compliant UL listed CSA approved



WIRING CONNECTION

PRIMARY :	
VOLTS 600	CONNECT LINES TO : H1-H2
SECONDARY :	
VOLTS 120	CONNECT LINES TO : X1-X2



DIMENSIONS INCHES / MM

VA	A	B	C	D	E	MOUNTING HOLES INCHES / MM	SHIP WEIGHT LBS / KG
25	3.00 76.2	2.50 63.5	2.77 70.4	1.98 50.3	2.50 63.5	0.21 x 0.625 5.3 x 15.9	1.25 0.6

Notes:



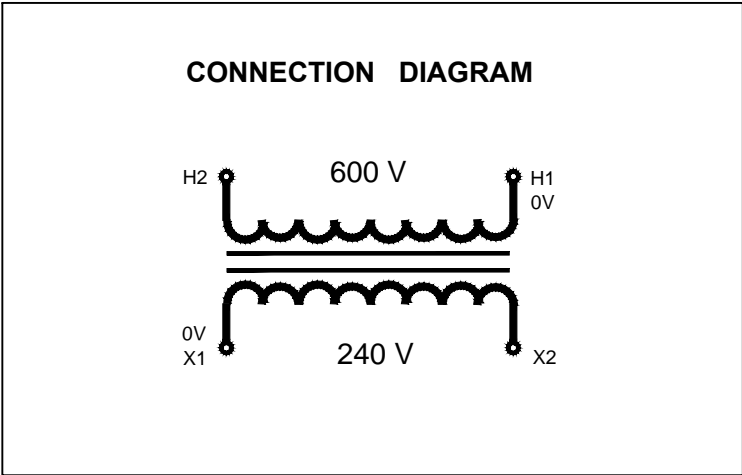
MARCUS

Marcus Transformer LTD
 Phone: 1-800-267-7376
 Fax: 1-866-205-7526
 Email: Info@marcustransformer.com

TECHNICAL DATA

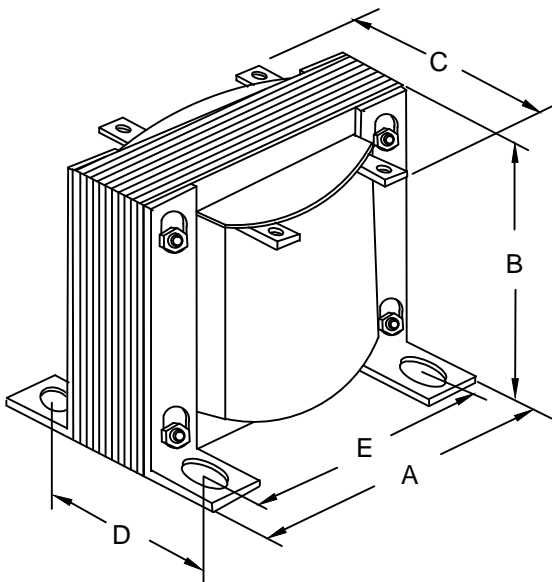
SINGLE PHASE CONTROL TRANSFORMER

DESCRIPTION	
MODEL	MO25W
Type	Open
VA	25
Primary (Volts)	600
Secondary (Volts)	240
Input /Output Amps	0.04 / 0.10
Temperature Rise	80°C
Insulation Class	B (130°C)
Frequency	60Hz
Polarity	additive
Noise level	less than 40DB
Winding	Copper
Approvals	CE compliant UL listed CSA approved



WIRING CONNECTION

PRIMARY :	
VOLTS 600	CONNECT LINES TO : H1-H2
SECONDARY :	
VOLTS 240	CONNECT LINES TO : X1-X2



DIMENSIONS INCHES / MM

VA	A	B	C	D	E	MOUNTING HOLES INCHES / MM	SHIP WEIGHT LBS / KG
25	3.00 76.2	2.50 63.5	2.77 70.4	1.98 50.3	2.50 63.5	0.21 x 0.625 5.3 x 15.9	1.25 0.6

Notes:



MARCUS

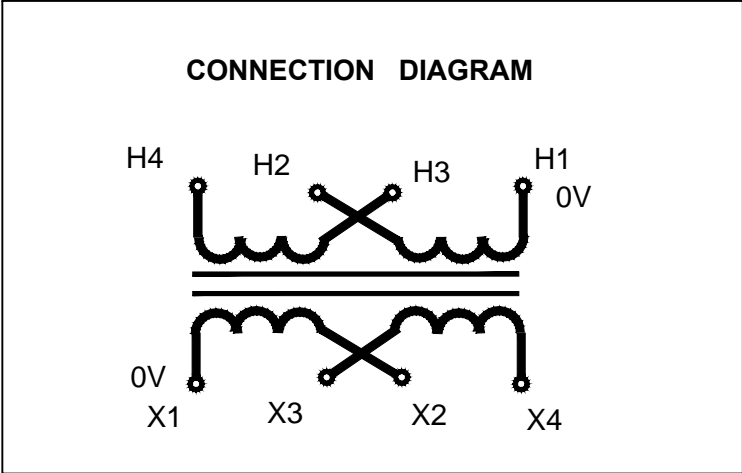
Marcus Transformer LTD
 Phone: 1-800-267-7376
 Fax: 1-866-205-7526
 Email: Info@marcustransformer.com

TECHNICAL DATA

SINGLE PHASE CONTROL TRANSFORMER

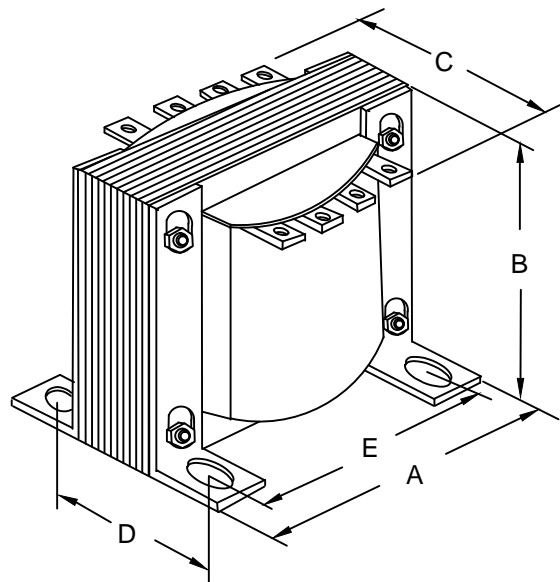
DESCRIPTION

MODEL	MO25X
Type	Open
VA	25
Primary (Volts)	120 / 240
Secondary (Volts)	16 / 32
Input /Output Amps	0.21 , 0.10 / 1.56 , 0.78
Temperature Rise	80°C
Insulation Class	B (130°C)
Frequency	50 / 60Hz
Polarity	additive
Noise level	less than 40DB
Winding	Copper
Approvals	CE compliant UL listed CSA approved



WIRING CONNECTION

PRIMARY :		
VOLTS	INTERCONNECT:	CONNECT LINES TO :
120	H1-H3 AND H2-H4	H1-H4
240	H2-H3	H1-H4
SECONDARY :		
VOLTS	INTERCONNECT:	CONNECT LINES TO :
16	X1-X3 AND X2-X4	X1-X4
32	X2-X3	X1-X4



DIMENSIONS INCHES / MM

VA	A	B	C	D	E	MOUNTING HOLES INCHES / MM	SHIP WEIGHT LBS / KG
25	3.00 76.2	2.50 63.5	2.77 70.4	1.98 50.3	2.50 63.5	0.21 x 0.625 5.3 x 15.9	1.25 0.6

Notes:



MARCUS

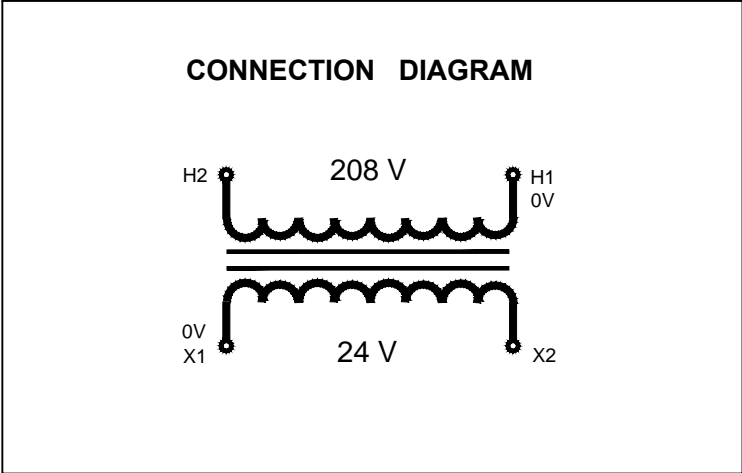
Marcus Transformer LTD
 Phone: 1-800-267-7376
 Fax: 1-866-205-7526
 Email: Info@marcustransformer.com

TECHNICAL DATA

SINGLE PHASE CONTROL TRANSFORMER

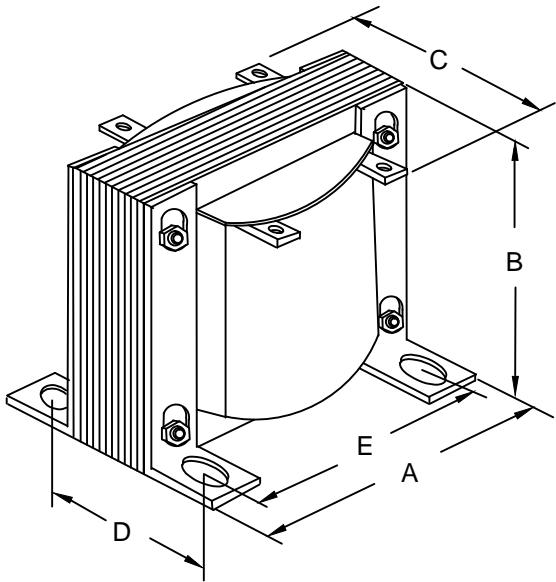
DESCRIPTION

MODEL	MO25Y
Type	Open
VA	25
Primary (Volts)	208
Secondary (Volts)	24
Input /Output Amps	0.12 / 1.04
Temperature Rise	80°C
Insulation Class	B (130°C)
Frequency	60Hz
Polarity	additive
Noise level	less than 40DB
Winding	Copper
Approvals	CE compliant UL listed CSA approved



WIRING CONNECTION

PRIMARY :	
VOLTS 208	CONNECT LINES TO : H1-H2
SECONDARY :	
VOLTS 24	CONNECT LINES TO : X1-X2



DIMENSIONS INCHES / MM

VA	A	B	C	D	E	MOUNTING HOLES INCHES / MM	SHIP WEIGHT LBS / KG
25	3.00 76.2	2.50 63.5	2.77 70.4	1.98 50.3	2.50 63.5	0.21 x 0.625 5.3 x 15.9	1.25 0.6

Notes: