



MARCUS

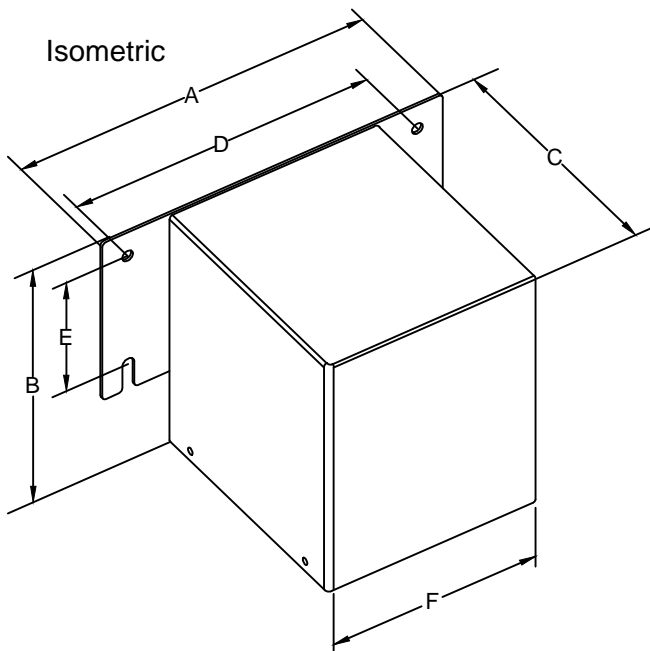
Marcus Transformer LTD
 Phone: 1-800-267-7376
 Fax: 1-866-205-7526
 Email: Info@marcustransformer.com

TECHNICAL DATA

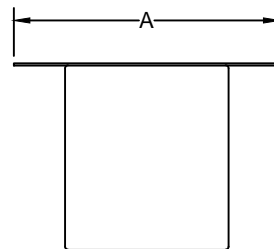
SINGLE PHASE CONTROL TRANSFORMER

| DESCRIPTION | |
|-------------------|----------------|
| MODEL | |
| Type | Epoxy |
| VA | 750 |
| Primary (Volts) | |
| Secondary (Volts) | |
| Input/Output Amps | |
| Temperature Rise | 95°C |
| Insulation Class | B(130°C) |
| Frequency | 60Hz |
| Polarity | additive |
| Noise level | less than 40DB |
| Winding | Copper |
| Approvals | CSA Approved |

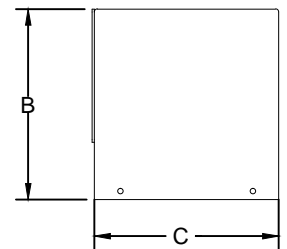
| MEC SELECTION GUIDE | | | |
|---------------------|-----------------|-------------------|---------------|
| TYPE | PRIMARY VOLTAGE | SECONDARY VOLTAGE | SUFFIX |
| MEC-Marcus | A-600 | 1-120 | 50Hz-EUR |
| Single Phase | B-480 | 2-240 | Elec.Shield-S |
| Epoxy | C-416 | 3-120/240 | |
| Encapsulated | D-380 | 4-240/480 | |
| Close Style | E-347 | | |
| | F-277 | | |
| | G-240 | | |
| | H-208 | | |
| | I-120 | | |
| | J-120/240 | | |
| | K-240/480 | | |



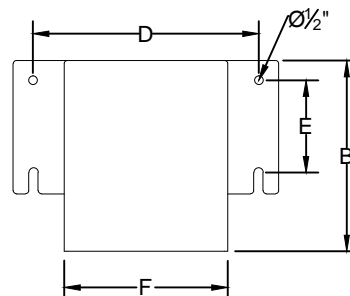
Top View



Side View



Front View



DIMENSIONS INCHES / MM

| VA | A | B | C | D (mtg) | E (mtg) | F | SHIP WEIGHT LBS / KG |
|-----|-----------|------------|------------|------------|-----------|--------------|----------------------|
| 750 | 10 254 | 7.0 178 | 6.0 152 | 8.5 216 | 3.5 89 | 7.0 177.8 | 36 16.3 |