

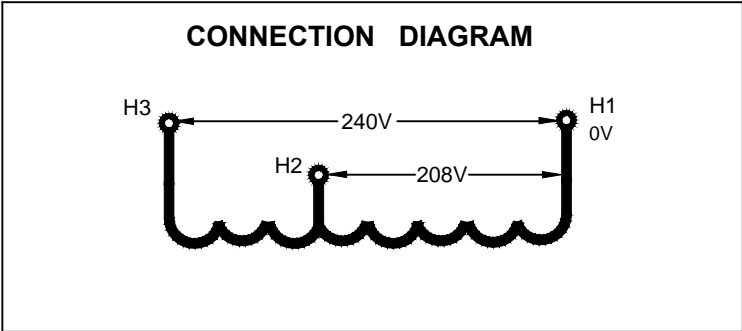


MARCUS

Marcus Transformer LTD
 Phone: 1-800-267-7376
 Fax: 1-866-205-7526
 Email: Info@marcustransformer.com

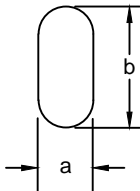
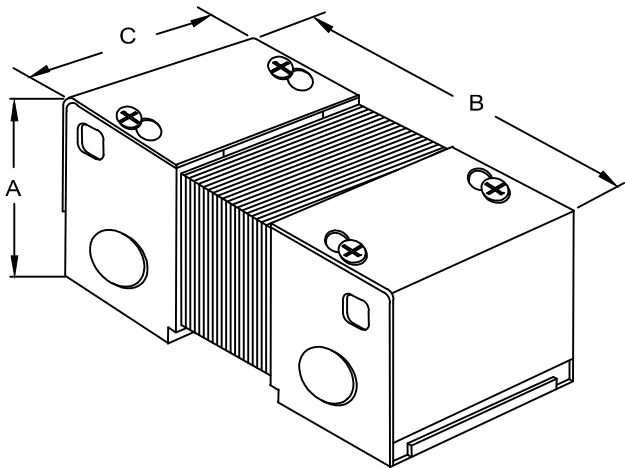
TECHNICAL DATA SINGLE PHASE AUTO TRANSFORMER

DESCRIPTION	
MODEL	AS10K
Type	Enclosed, Indoor AUTO
VA	10000
Voltage	208 / 240
Amps	48.08 / 41.67
Temperature Rise	115°C
Insulation Class	F (155°C)
Frequency	60Hz
Polarity	additive
Noise level	less than 40DB
Winding	Copper
Approvals	UL Listed CSA Approved

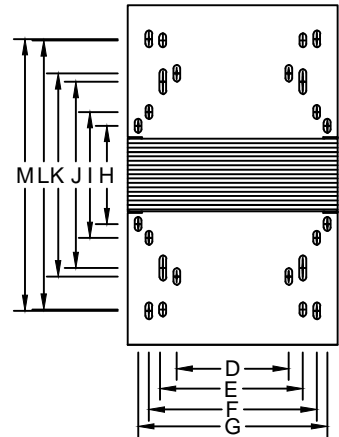


WIRING CONNECTION

VOLTS 208	CONNECT LINES TO : H1-H2
VOLTS 240	CONNECT LINES TO : H1-H3



LETTER	MOUNTING SLOTS INCHES / MM a b
W	0.31 x 0.630 7.9 x 16.0
X	0.31 x 0.750 7.9 x 19.0
Y	0.31 x 0.875 7.9 x 22.2
Z	0.31 x 1.125 7.9 x 28.6



DIMENSIONS INCHES / MM

VA	A	B	C	D	E	F	G	H	I	J	K	L	M	SHIP WEIGHT LBS / KG
10000	6.58 167.1	11.13 282.7	7.50 190.5	4.00 101.6	5.00 127.0	6.00 152.4	6.75 171.5	3.50(W) 88.9	4.50(W) 114.3	6.63(Z) 168.4	7.25(X) 184.2	9.50(W) 241.3	9.70(Y) 246.4	39.0 17.7



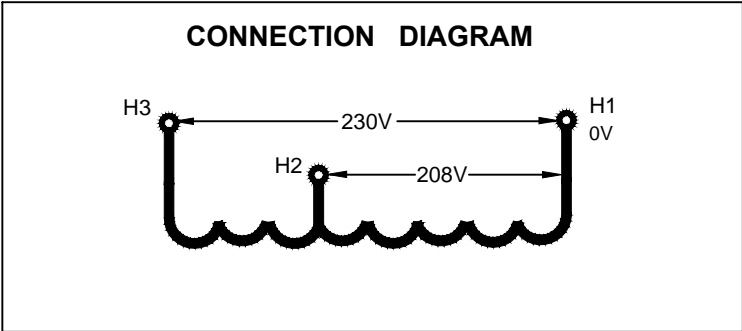
MARCUS

Marcus Transformer LTD
 Phone: 1-800-267-7376
 Fax: 1-866-205-7526
 Email: Info@marcustransformer.com

TECHNICAL DATA

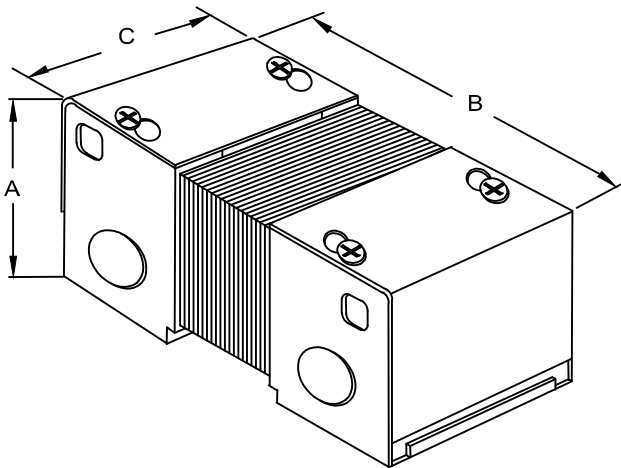
SINGLE PHASE AUTO TRANSFORMER

DESCRIPTION	
MODEL	AC10K
Type	Enclosed, Indoor AUTO
VA	10000
Voltage	208 / 230
Amps	48.08 / 43.48
Temperature Rise	95°C
Insulation Class	B (130°C)
Frequency	60Hz
Polarity	additive
Noise level	less than 40DB
Winding	Copper
Approvals	UL Listed CSA Approved

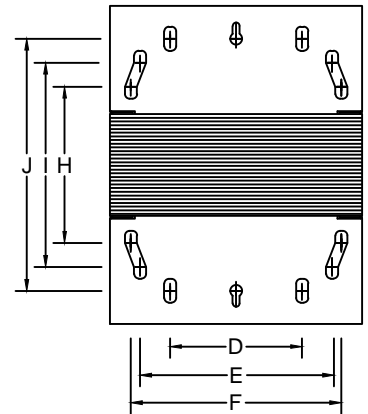
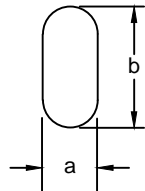


WIRING CONNECTION

VOLTS 208	CONNECT LINES TO : H1-H2
VOLTS 230	CONNECT LINES TO : H1-H3



LETTER	MOUNTING SLOTS INCHES / MM a b
V	0.30 x 0.560 7.6 x 14.2



DIMENSIONS INCHES / MM

VA	A	B	C	D	E	F	G	H	I	J	K	L	M	SHIP WEIGHT LBS / KG
10000	4.70 119.4	8.63 219.2	5.25 133.4	2.75 69.9	4.00 101.6	4.38 111.3		5.25(V) 133.4	6.25(V) 158.5	7.25(V) 184.2				27.00 12.26