



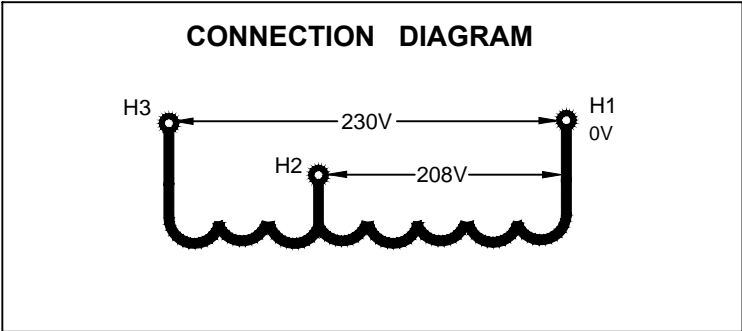
MARCUS

Marcus Transformer LTD
 Phone: 1-800-267-7376
 Fax: 1-866-205-7526
 Email: Info@marcustransformer.com

TECHNICAL DATA

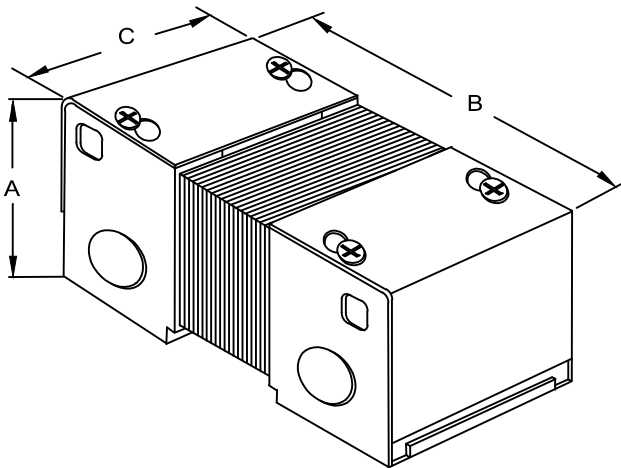
SINGLE PHASE AUTO TRANSFORMER

DESCRIPTION	
MODEL	AC7R5K
Type	Enclosed, Indoor AUTO
VA	7500
Voltage	208 / 230
Amps	36.06 / 32.61
Temperature Rise	95°C
Insulation Class	B (130°C)
Frequency	60Hz
Polarity	additive
Noise level	less than 40DB
Winding	Copper
Approvals	UL Listed CSA Approved

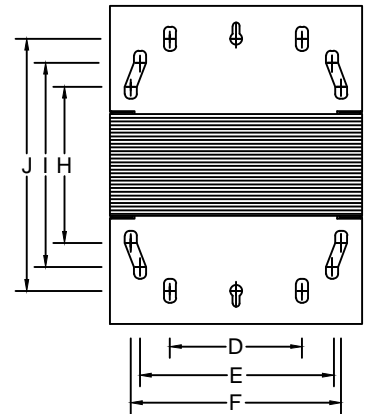
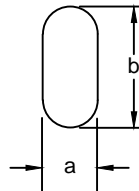


WIRING CONNECTION

VOLTS 208	CONNECT LINES TO : H1-H2
VOLTS 230	CONNECT LINES TO : H1-H3



LETTER	MOUNTING SLOTS INCHES / MM a b
V	0.30 x 0.560 7.6 x 14.2



DIMENSIONS INCHES / MM

VA	A	B	C	D	E	F	G	H	I	J	K	L	M	SHIP WEIGHT LBS / KG
7500	4.70 119.4	7.63 193.8	5.25 133.4	2.75 69.9	4.00 101.6	4.38 111.3		4.25(V) 108.0	5.25(V) 133.4	6.25(V) 158.5				21.00 9.53



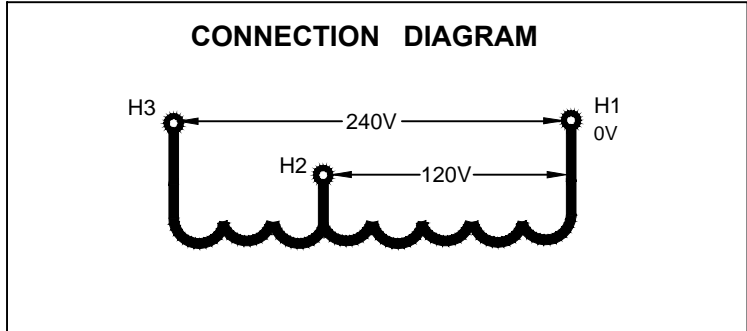
MARCUS

Marcus Transformer LTD
 Phone: 1-800-267-7376
 Fax: 1-866-205-7526
 Email: Info@marcustransformer.com

TECHNICAL DATA

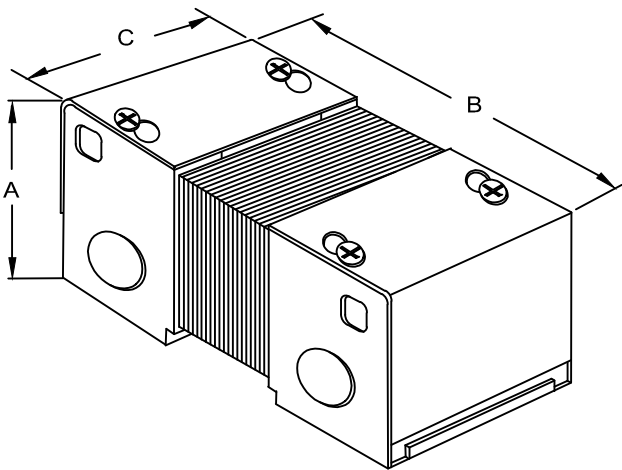
SINGLE PHASE AUTO TRANSFORMER

DESCRIPTION	
MODEL	AC7R5M
Type	Enclosed, Indoor AUTO
VA	7500
Voltage	120 / 240
Amps	62.5 / 31.25
Temperature Rise	115°C
Insulation Class	F (155°C)
Frequency	50 / 60Hz
Polarity	additive
Noise level	less than 40DB
Winding	Copper
Approvals	UL Listed CSA Approved

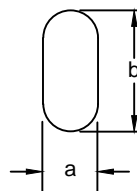
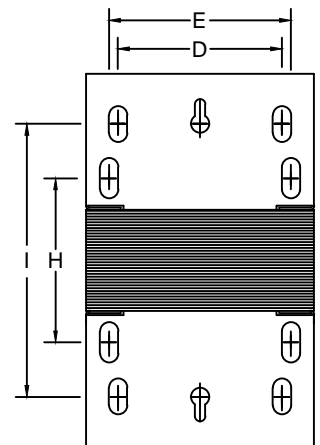


WIRING CONNECTION

VOLTS 120	CONNECT LINES TO : H1-H2
VOLTS 240	CONNECT LINES TO : H1-H3



LETTER	MOUNTING SLOTS INCHES / MM a b
Z	0.31 x 1.125 7.9 x 28.6



DIMENSIONS INCHES / MM

VA	A	B	C	D	E	F	G	H	I	J	K	L	M	SHIP WEIGHT LBS / KG
7500	8.33 211.6	14.13 358.9	9.00 228.6	6.00 152.4	8.00 203.2			5.75(Z) 146.1	9.88(Z) 251.0					94.0 42.7



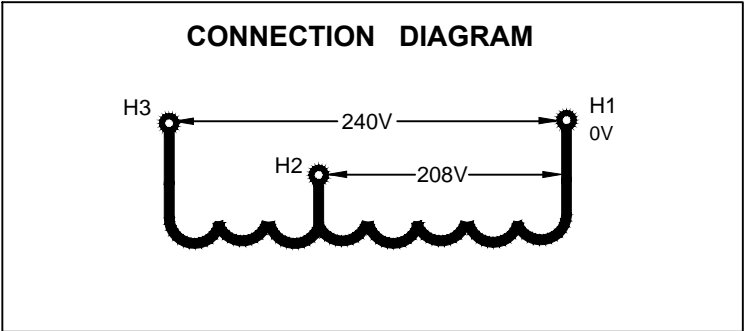
MARCUS

Marcus Transformer LTD
 Phone: 1-800-267-7376
 Fax: 1-866-205-7526
 Email: Info@marcustransformer.com

TECHNICAL DATA

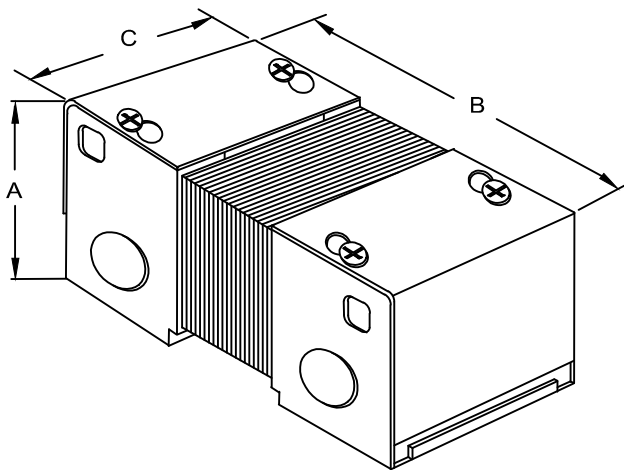
SINGLE PHASE AUTO TRANSFORMER

DESCRIPTION	
MODEL	AS7R5K
Type	Enclosed, Indoor AUTO
VA	7500
Voltage	208 / 240
Amps	36.06 / 31.25
Temperature Rise	95°C
Insulation Class	B (130°C)
Frequency	60Hz
Polarity	additive
Noise level	less than 40DB
Winding	Copper
Approvals	UL Listed CSA Approved

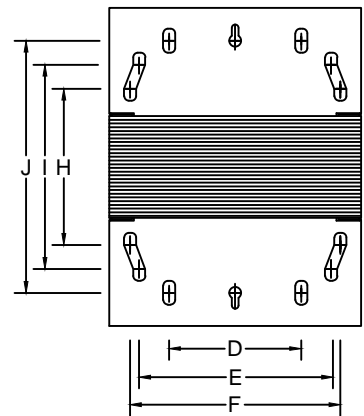
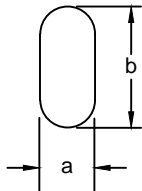


WIRING CONNECTION

VOLTS 208	CONNECT LINES TO : H1-H2
VOLTS 240	CONNECT LINES TO : H1-H3



LETTER	MOUNTING SLOTS INCHES / MM a b
V	0.30 x 0.560 7.6 x 14.2



DIMENSIONS INCHES / MM

VA	A	B	C	D	E	F	G	H	I	J	K	L	M	SHIP WEIGHT LBS / KG
7500	4.70 119.4	8.63 219.2	5.25 133.4	2.75 69.9	4.00 101.6	4.38 111.3		5.25(V) 133.4	6.25(V) 158.8	7.25(V) 184.2				27.00 12.26