



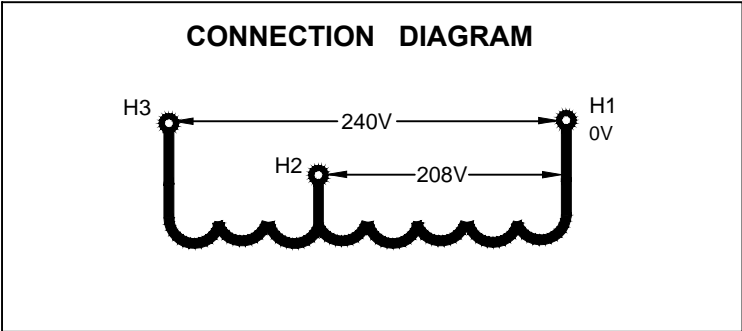
# MARCUS

Marcus Transformer LTD  
 Phone: 1-800-267-7376  
 Fax: 1-866-205-7526  
 Email: Info@marcustransformer.com

## TECHNICAL DATA

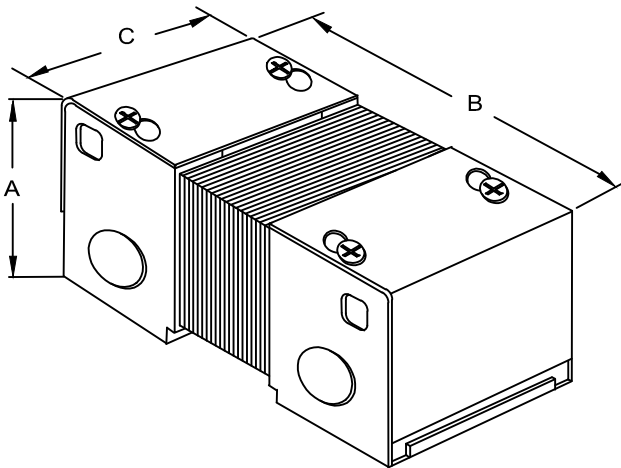
SINGLE PHASE AUTO TRANSFORMER

DESCRIPTION	
MODEL	AS5K
Type	Enclosed, Indoor AUTO
VA	5000
Voltage	208 / 240
Amps	24.04 / 20.83
Temperature Rise	95°C
Insulation Class	B (130°C)
Frequency	60Hz
Polarity	additive
Noise level	less than 40DB
Winding	Copper
Approvals	UL Listed CSA Approved

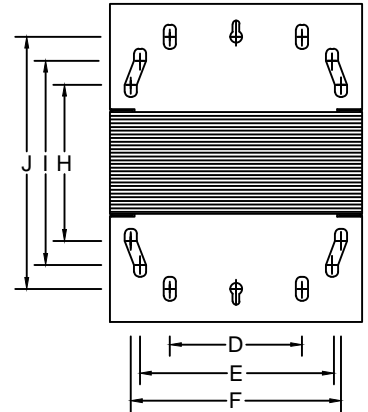
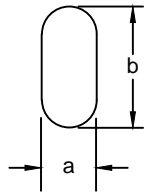


### WIRING CONNECTION

VOLTS 208	CONNECT LINES TO : H1-H2
VOLTS 240	CONNECT LINES TO : H1-H3



LETTER	MOUNTING SLOTS INCHES / MM a b
V	0.30 x 0.560 7.6 x 14.2



### DIMENSIONS INCHES / MM

VA	A	B	C	D	E	F	G	H	I	J	K	L	M	SHIP WEIGHT LBS / KG
5000	4.70 119.4	7.63 193.8	5.25 133.4	2.75 69.9	4.00 101.6	4.38 111.3		4.25(V) 108.0	5.25(V) 133.4	6.25(V) 158.8				21.00 9.53

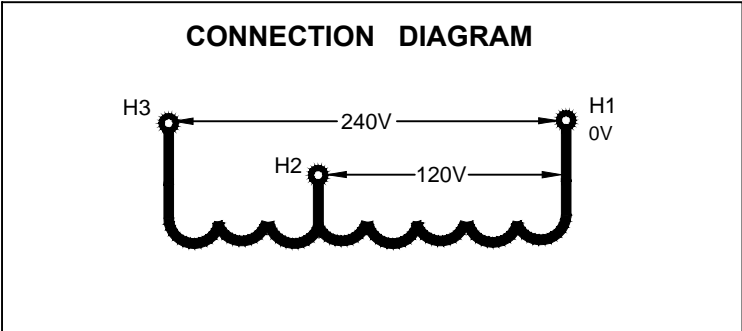


# MARCUS

Marcus Transformer LTD  
 Phone: 1-800-267-7376  
 Fax: 1-866-205-7526  
 Email: Info@marcustransformer.com

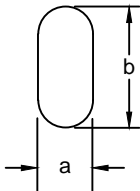
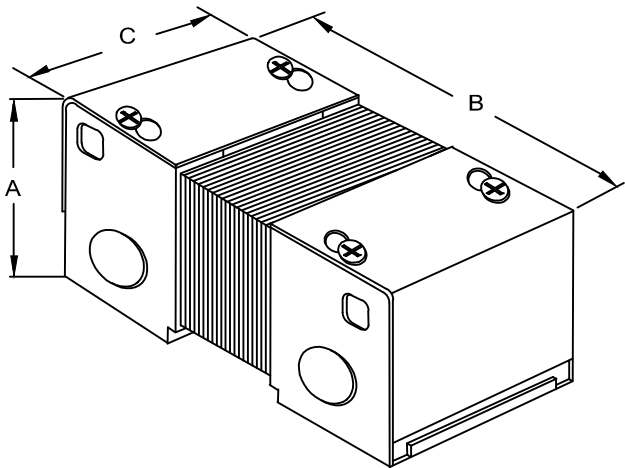
## TECHNICAL DATA SINGLE PHASE AUTO TRANSFORMER

DESCRIPTION	
MODEL	AC5M
Type	Enclosed, Indoor AUTO
VA	5000
Voltage	120 / 240
Amps	41.67 / 20.83
Temperature Rise	115°C
Insulation Class	F (155°C)
Frequency	50 / 60Hz
Polarity	additive
Noise level	less than 40DB
Winding	Copper
Approvals	UL Listed CSA Approved

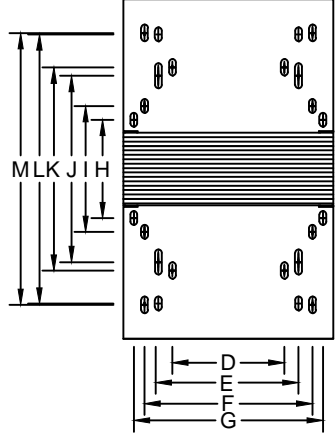


### WIRING CONNECTION

VOLTS 120	CONNECT LINES TO: H1-H2
VOLTS 240	CONNECT LINES TO: H1-H3



LETTER	MOUNTING SLOTS INCHES / MM a b
W	0.31 x 0.630 7.9 x 16.0
X	0.31 x 0.750 7.9 x 19.0
Y	0.31 x 0.875 7.9 x 22.2
Z	0.31 x 1.125 7.9 x 28.6



### DIMENSIONS INCHES / MM

VA	A	B	C	D	E	F	G	H	I	J	K	L	M	SHIP WEIGHT LBS / KG
5000	6.58 167.1	14.13 358.9	7.50 190.5	4.00 101.6	5.00 127.0	6.00 152.4	6.75 171.5	6.50(W) 165.1	7.50(W) 190.5	9.63(Z) 244.6	10.25(X) 260.4	12.50(W) 317.5	12.70(Y) 322.6	62.0 28.1

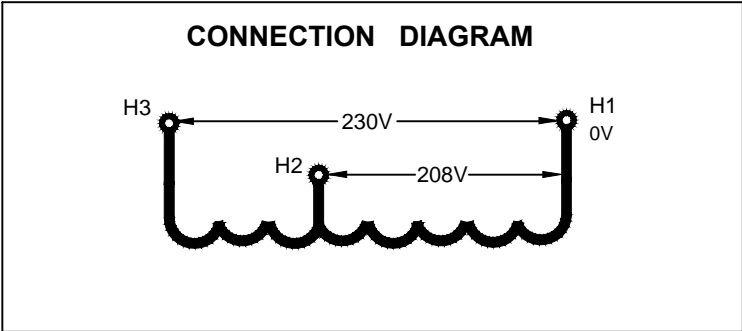


# MARCUS

Marcus Transformer LTD  
 Phone: 1-800-267-7376  
 Fax: 1-866-205-7526  
 Email: Info@marcustransformer.com

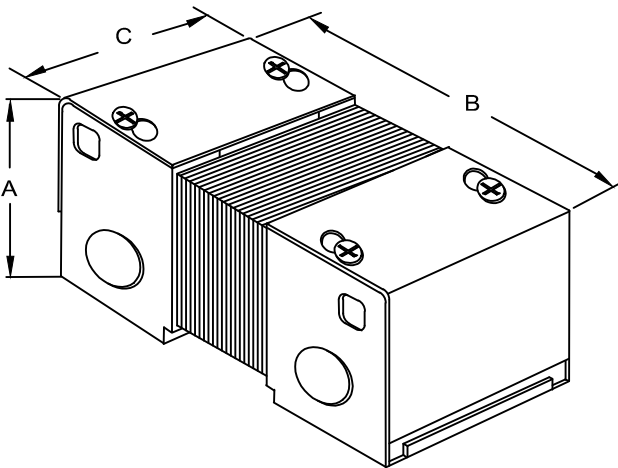
## TECHNICAL DATA SINGLE PHASE AUTO TRANSFORMER

DESCRIPTION	
MODEL	AC5K
Type	Enclosed, Indoor AUTO
VA	5000
Voltage	208 / 230
Amps	24.04 / 21.74
Temperature Rise	95°C
Insulation Class	B (130°C)
Frequency	60Hz
Polarity	additive
Noise level	less than 40DB
Winding	Copper
Approvals	UL Listed CSA Approved

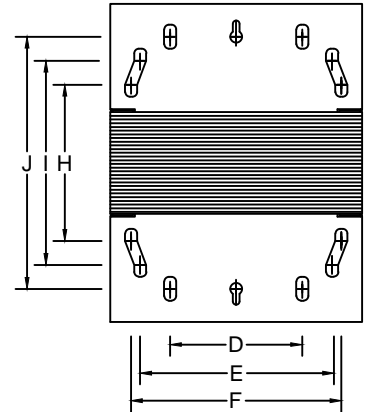
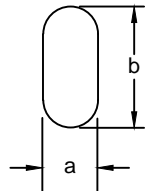


### WIRING CONNECTION

VOLTS 208	CONNECT LINES TO : H1-H2
VOLTS 230	CONNECT LINES TO : H1-H3



LETTER	MOUNTING SLOTS INCHES / MM a b
V	0.30 x 0.560 7.6 x 14.2



### DIMENSIONS INCHES / MM

VA	A	B	C	D	E	F	G	H	I	J	K	L	M	SHIP WEIGHT LBS / KG
5000	4.70 119.4	6.63 168.4	5.25 133.4	2.75 69.9	4.00 101.6	4.38 111.3		3.25(V) 82.6	4.25(V) 108.0	5.25(V) 133.4				14.50 6.6