



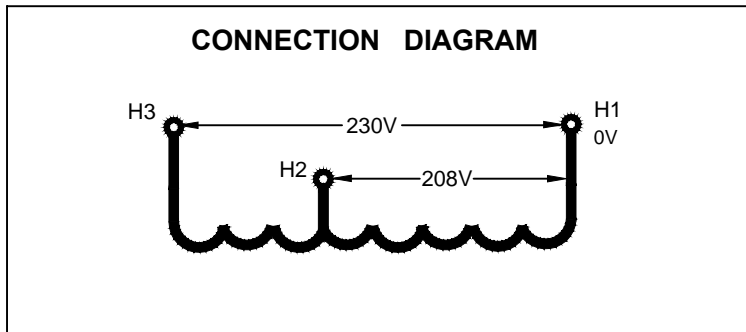
# MARCUS

Marcus Transformer LTD  
 Phone: 1-800-267-7376  
 Fax: 1-866-205-7526  
 Email: Info@marcustransformer.com

## TECHNICAL DATA

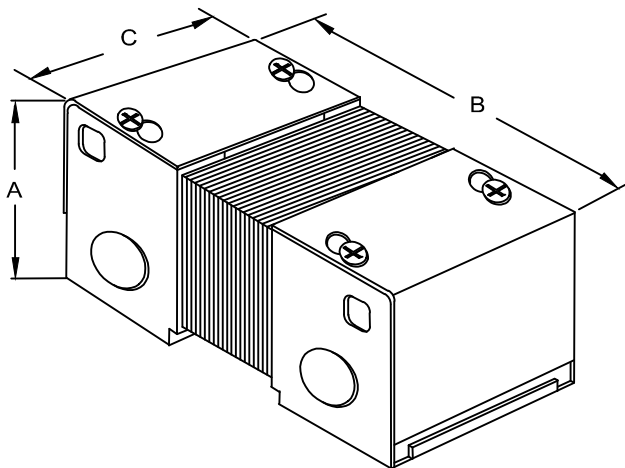
SINGLE PHASE AUTO TRANSFORMER

DESCRIPTION	
MODEL	AC3K
Type	Enclosed, Indoor AUTO
VA	3000
Voltage	208 / 230
Amps	14.42 / 13.04
Temperature Rise	95°C
Insulation Class	B (130°C)
Frequency	60Hz
Polarity	additive
Noise level	less than 40DB
Winding	Copper
Approvals	UL Listed CSA Approved

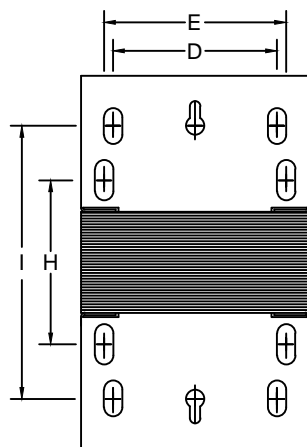
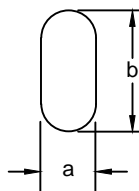


### WIRING CONNECTION

VOLTS 208	CONNECT LINES TO : H1-H2
VOLTS 230	CONNECT LINES TO : H1-H3



LETTER	MOUNTING SLOTS INCHES / MM a b
U	0.25 x 0.875 6.4 x 22.2
T	0.25 x 0.625 6.4 x 15.9



### DIMENSIONS INCHES / MM

VA	A	B	C	D	E	F	G	H	I	J	K	L	M	SHIP WEIGHT LBS / KG
3000	4.07 103.4	6.13 155.7	4.50 114.3	2.75 69.9	3.75 95.3			2.75(T) 69.9	4.38(U) 111.3					8.50 3.86



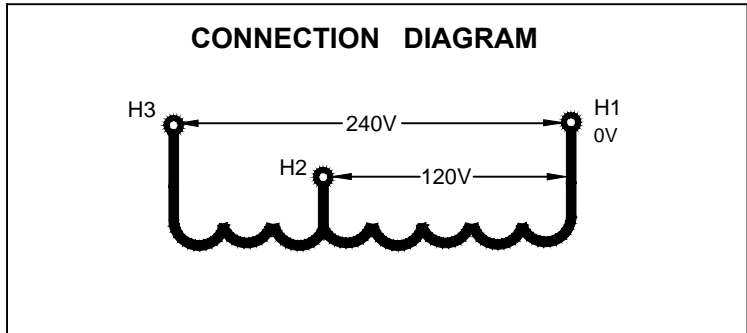
# MARCUS

Marcus Transformer LTD  
 Phone: 1-800-267-7376  
 Fax: 1-866-205-7526  
 Email: Info@marcustransformer.com

## TECHNICAL DATA

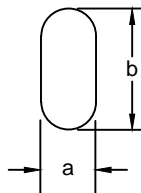
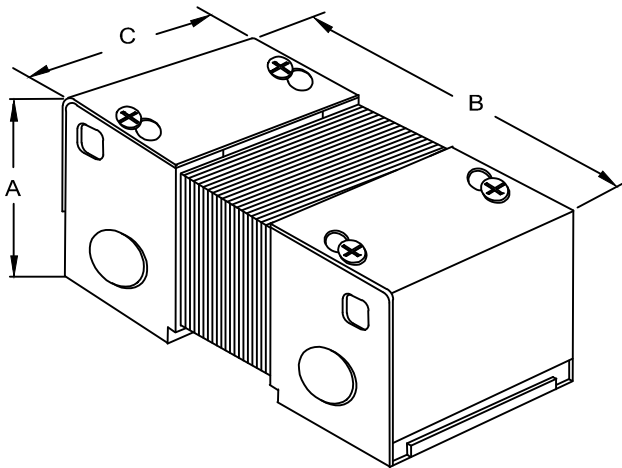
SINGLE PHASE AUTO TRANSFORMER

DESCRIPTION	
MODEL	AC3M
Type	Enclosed, Indoor AUTO
VA	3000
Voltage	120 / 240
Amps	25.0 / 12.5
Temperature Rise	115°C
Insulation Class	F (155°C)
Frequency	50 / 60Hz
Polarity	additive
Noise level	less than 40DB
Winding	Copper
Approvals	UL Listed CSA Approved

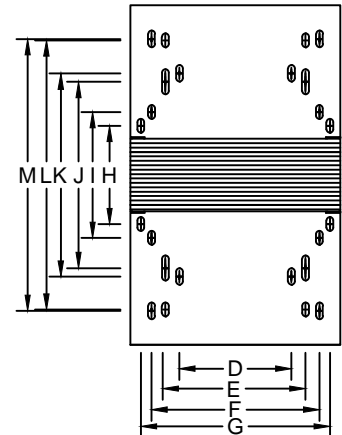


### WIRING CONNECTION

VOLTS 120	CONNECT LINES TO : H1-H2
VOLTS 240	CONNECT LINES TO : H1-H3



LETTER	MOUNTING SLOTS INCHES / MM a b
W	0.31 x 0.630 7.9 x 16.0
X	0.31 x 0.750 7.9 x 19.0
Y	0.31 x 0.875 7.9 x 22.2
Z	0.31 x 1.125 7.9 x 28.6



## DIMENSIONS INCHES / MM

VA	A	B	C	D	E	F	G	H	I	J	K	L	M	SHIP WEIGHT LBS / KG
3000	6.58 167.1	11.13 282.7	7.50 190.5	4.00 101.6	5.00 127.0	6.00 152.4	6.75 171.5	3.50(W) 88.9	4.50(W) 114.3	6.63(Z) 168.4	7.25(X) 184.2	9.50(W) 241.3	9.70(Y) 246.4	39.0 17.7



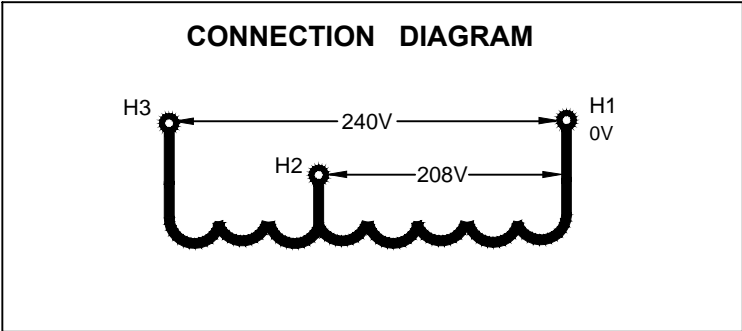
# MARCUS

Marcus Transformer LTD  
 Phone: 1-800-267-7376  
 Fax: 1-866-205-7526  
 Email: Info@marcustransformer.com

## TECHNICAL DATA

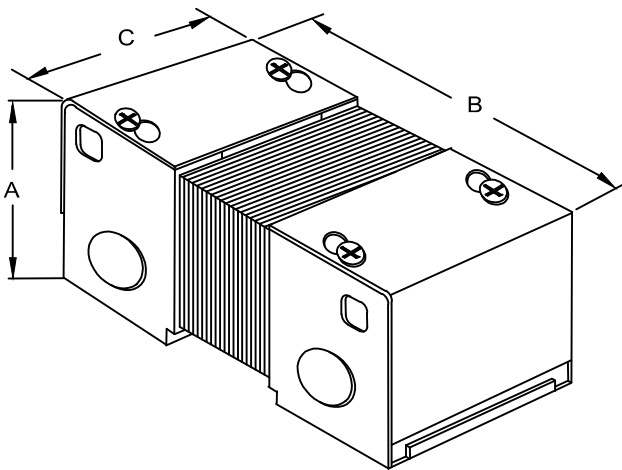
SINGLE PHASE AUTO TRANSFORMER

DESCRIPTION	
MODEL	AS3K
Type	Enclosed, Indoor AUTO
VA	3000
Voltage	208 / 240
Amps	14.42 / 12.50
Temperature Rise	95°C
Insulation Class	B (130°C)
Frequency	60Hz
Polarity	additive
Noise level	less than 40DB
Winding	Copper
Approvals	UL Listed CSA Approved

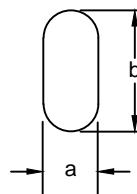
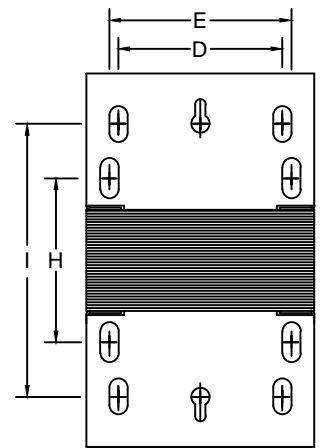


### WIRING CONNECTION

VOLTS 208	CONNECT LINES TO : H1-H2
VOLTS 240	CONNECT LINES TO : H1-H3



LETTER	MOUNTING SLOTS INCHES / MM a b
U	0.25 x 0.875 6.4 x 22.2
T	0.25 x 0.625 6.4 x 15.9



### DIMENSIONS INCHES / MM

VA	A	B	C	D	E	F	G	H	I	J	K	L	M	SHIP WEIGHT LBS / KG
3000	4.07 103.4	7.13 181.1	4.50 114.3	2.75 69.9	3.75 95.3			3.75(T) 95.3	5.38(U) 136.7					12.00 5.45