



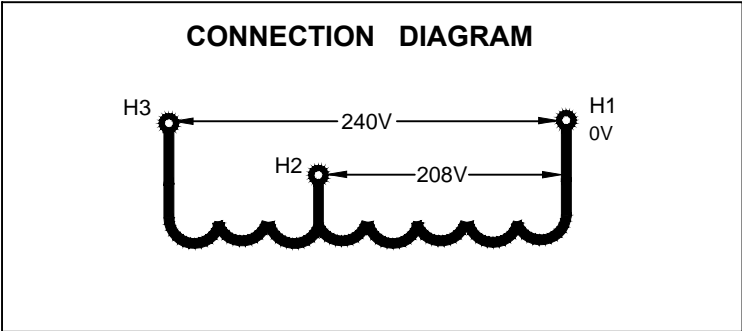
# MARCUS

Marcus Transformer LTD  
 Phone: 1-800-267-7376  
 Fax: 1-866-205-7526  
 Email: Info@marcustransformer.com

## TECHNICAL DATA

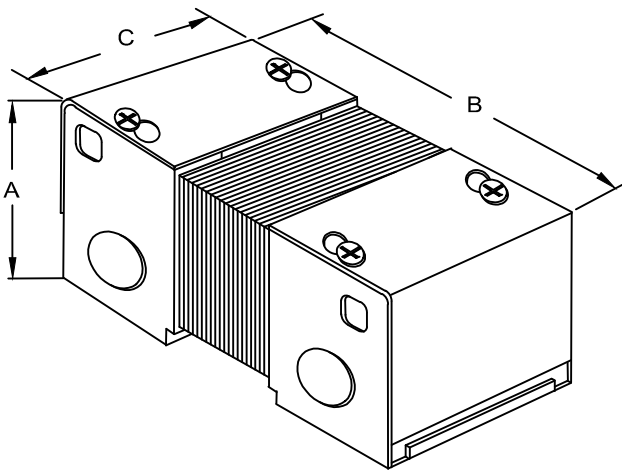
SINGLE PHASE AUTO TRANSFORMER

DESCRIPTION	
MODEL	AS2K
Type	Enclosed, Indoor AUTO
VA	2000
Voltage	208 / 240
Amps	9.62 / 8.33
Temperature Rise	95°C
Insulation Class	B (130°C)
Frequency	60Hz
Polarity	additive
Noise level	less than 40DB
Winding	Copper
Approvals	UL Listed CSA Approved

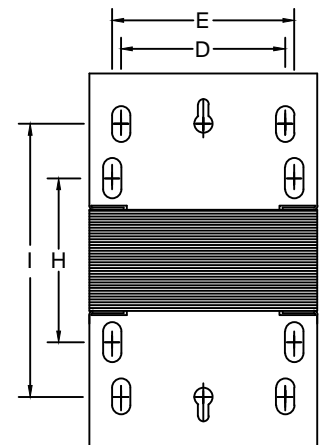
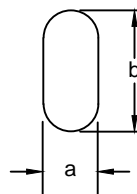


### WIRING CONNECTION

VOLTS 208	CONNECT LINES TO : H1-H2
VOLTS 240	CONNECT LINES TO : H1-H3



LETTER	MOUNTING SLOTS INCHES / MM a b
U	0.25 x 0.875 6.4 x 22.2
T	0.25 x 0.625 6.4 x 15.9



## DIMENSIONS INCHES / MM

VA	A	B	C	D	E	F	G	H	I	J	K	L	M	SHIP WEIGHT LBS / KG
2000	4.07 103.4	6.13 155.7	4.50 114.3	2.75 69.9	3.75 95.3			2.75(T) 69.9	4.38(U) 111.3					8.50 3.86

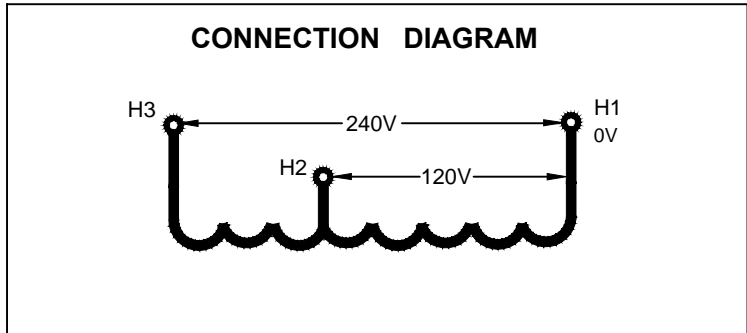


# MARCUS

Marcus Transformer LTD  
 Phone: 1-800-267-7376  
 Fax: 1-866-205-7526  
 Email: Info@marcustransformer.com

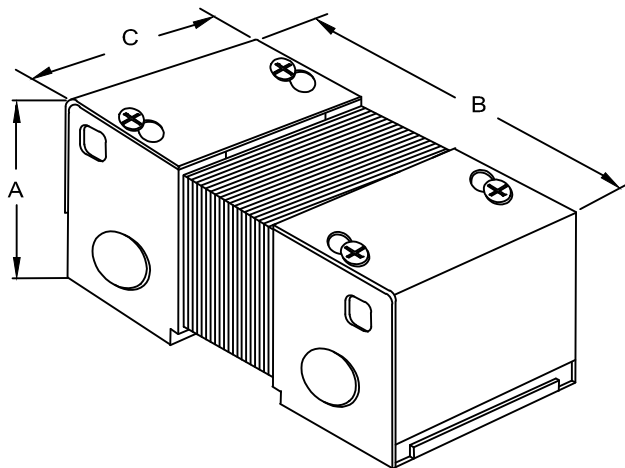
## TECHNICAL DATA SINGLE PHASE AUTO TRANSFORMER

DESCRIPTION	
MODEL	AC2M
Type	Enclosed, Indoor AUTO
VA	2000
Voltage	120 / 240
Amps	16.67 / 8.33
Temperature Rise	95°C
Insulation Class	B (130°C)
Frequency	50 / 60Hz
Polarity	additive
Noise level	less than 40DB
Winding	Copper
Approvals	UL Listed CSA Approved

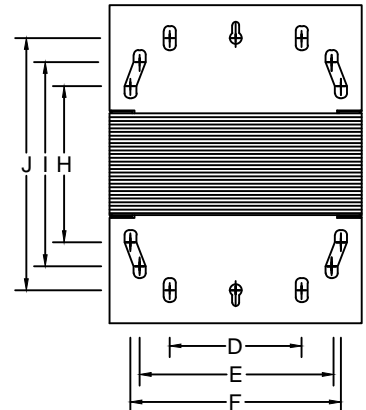
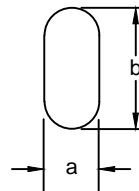


### WIRING CONNECTION

VOLTS	CONNECT LINES TO :
120	H1-H2
VOLTS	CONNECT LINES TO :
240	H1-H3



LETTER	MOUNTING SLOTS INCHES / MM
	a b
V	0.30 x 0.560 7.6 x 14.2



### DIMENSIONS INCHES / MM

VA	A	B	C	D	E	F	G	H	I	J	K	L	M	SHIP WEIGHT LBS / KG
2000	4.70 119.4	7.63 193.8	5.25 133.4	2.75 69.9	4.00 101.6	4.38 111.3		4.25(V) 108.0	6.25(V) 158.8	7.25(V) 184.2				27.0 12.26



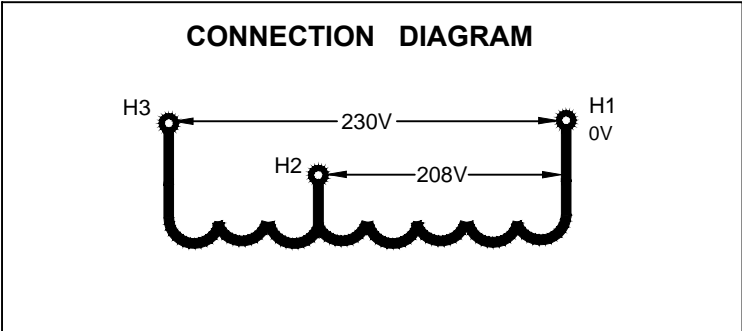
# MARCUS

Marcus Transformer LTD  
 Phone: 1-800-267-7376  
 Fax: 1-866-205-7526  
 Email: Info@marcustransformer.com

## TECHNICAL DATA

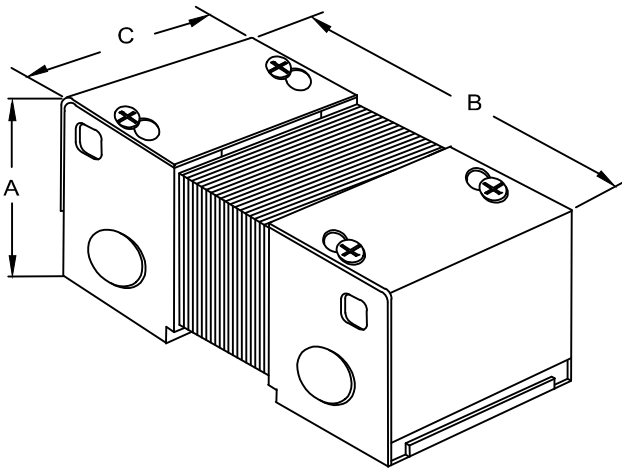
SINGLE PHASE AUTO TRANSFORMER

DESCRIPTION	
MODEL	AC2K
Type	Enclosed, Indoor AUTO
VA	2000
Voltage	208 / 230
Amps	9.62 / 8.70
Temperature Rise	95°C
Insulation Class	B (130°C)
Frequency	60Hz
Polarity	additive
Noise level	less than 40DB
Winding	Copper
Approvals	UL Listed CSA Approved

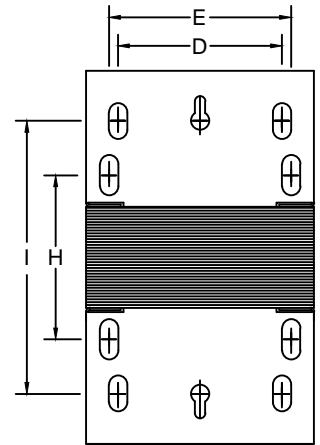
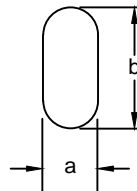


### WIRING CONNECTION

VOLTS 208	CONNECT LINES TO : H1-H2
VOLTS 230	CONNECT LINES TO : H1-H3



LETTER	MOUNTING SLOTS INCHES / MM a b
U	0.25 x 0.875 6.4 x 22.2
T	0.25 x 0.625 6.4 x 15.9



### DIMENSIONS INCHES / MM

VA	A	B	C	D	E	F	G	H	I	J	K	L	M	SHIP WEIGHT LBS / KG
2000	3.45 87.6	6.13 155.7	3.75 95.3	2.25 57.2	3.13 79.5			3.25(T) 82.6	5.00(U) 127.0					7.00 3.18