



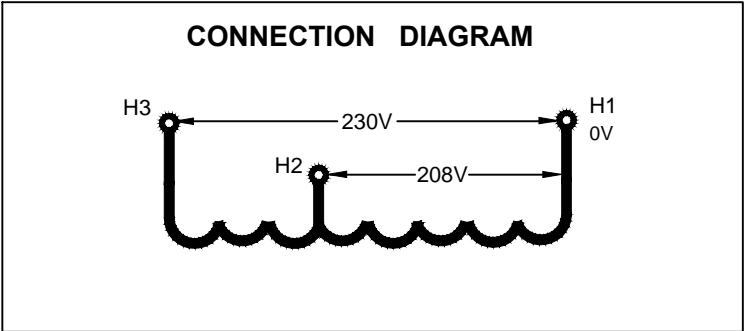
MARCUS

Marcus Transformer LTD
 Phone: 1-800-267-7376
 Fax: 1-866-205-7526
 Email: Info@marcustransformer.com

TECHNICAL DATA

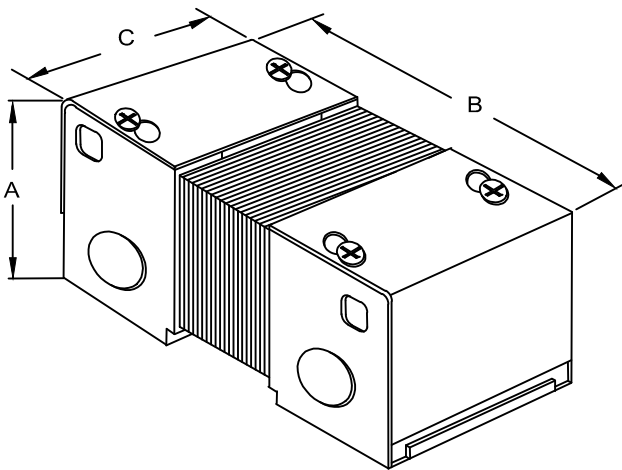
SINGLE PHASE AUTO TRANSFORMER

DESCRIPTION	
MODEL	AC1K
Type	Enclosed, Indoor AUTO
VA	1000
Voltage	208 / 230
Amps	4.81 / 4.35
Temperature Rise	95°C
Insulation Class	B (130°C)
Frequency	60Hz
Polarity	additive
Noise level	less than 40DB
Winding	Copper
Approvals	UL Listed CSA Approved

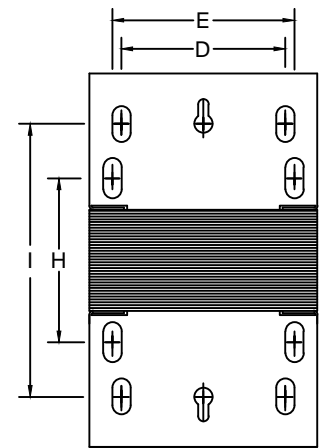
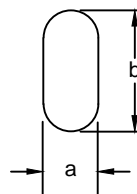


WIRING CONNECTION

VOLTS 208	CONNECT LINES TO : H1-H2
VOLTS 230	CONNECT LINES TO : H1-H3



LETTER	MOUNTING SLOTS INCHES / MM a b
S	0.25 x 0.500 6.4 x 12.7
T	0.25 x 0.625 6.4 x 15.9



DIMENSIONS INCHES / MM

VA	A	B	C	D	E	F	G	H	I	J	K	L	M	SHIP WEIGHT LBS / KG
1000	2.82 71.6	5.38 136.7	3.13 79.5	2.25 57.2	2.50 63.5			2.50(T) 63.5	4.00(S) 101.6					3.75 1.70



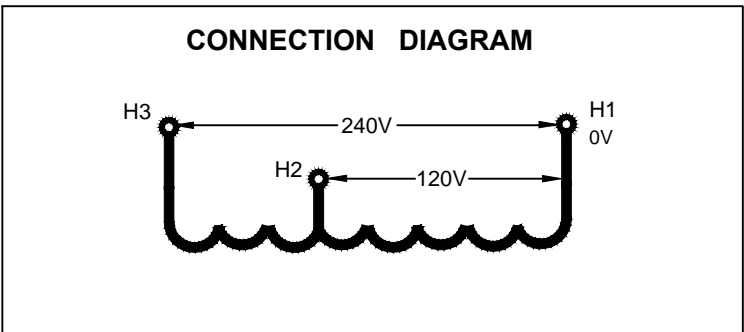
MARCUS

Marcus Transformer LTD
 Phone: 1-800-267-7376
 Fax: 1-866-205-7526
 Email: Info@marcustransformer.com

TECHNICAL DATA

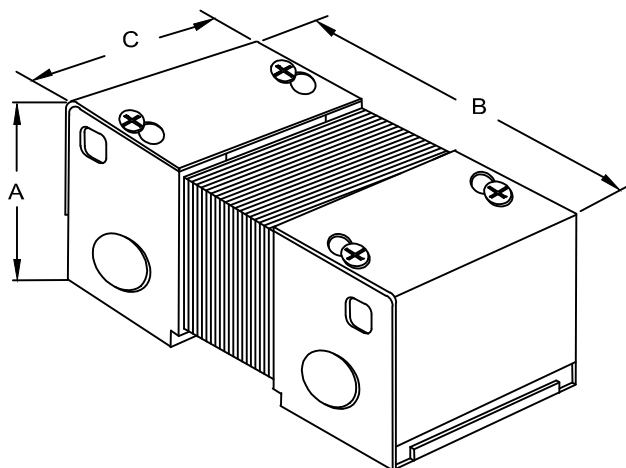
SINGLE PHASE AUTO TRANSFORMER

DESCRIPTION	
MODEL	AC1M
Type	Enclosed, Indoor AUTO
VA	1000
Voltage	120 / 240
Amps	8.33 / 4.17
Temperature Rise	95°C
Insulation Class	B (130°C)
Frequency	50 / 60Hz
Polarity	additive
Noise level	less than 40DB
Winding	Copper
Approvals	UL Listed CSA Approved

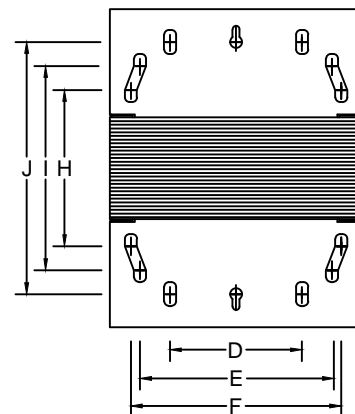
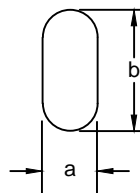


WIRING CONNECTION

VOLTS 120	CONNECT LINES TO : H1-H2
VOLTS 240	CONNECT LINES TO : H1-H3



LETTER	MOUNTING SLOTS INCHES / MM a b
V	0.30 x 0.560 7.6 x 14.2



DIMENSIONS INCHES / MM

VA	A	B	C	D	E	F	G	H	I	J	K	L	M	SHIP WEIGHT LBS / KG
1000	4.70 119.4	6.63 168.4	5.25 133.4	2.75 69.9	4.00 101.6	4.38 111.3		3.25(V) 82.6	4.25(V) 108.0	5.25(V) 133.4				14.50 6.6



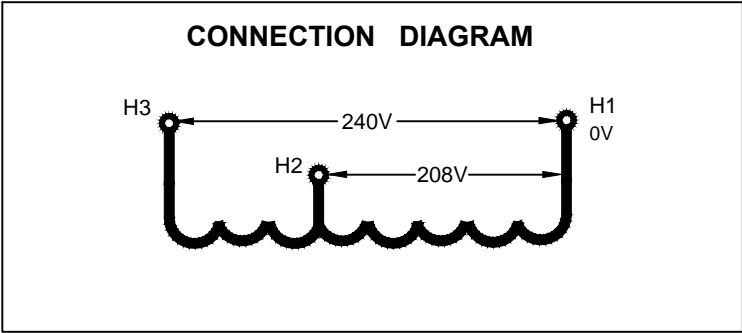
MARCUS

Marcus Transformer LTD
 Phone: 1-800-267-7376
 Fax: 1-866-205-7526
 Email: Info@marcustransformer.com

TECHNICAL DATA

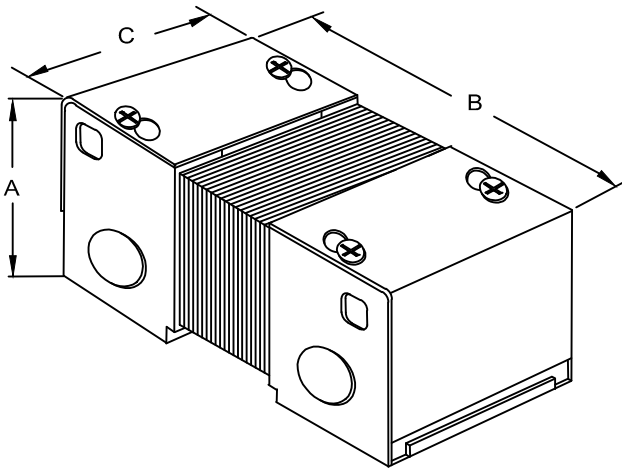
SINGLE PHASE AUTO TRANSFORMER

DESCRIPTION	
MODEL	AS1K
Type	Enclosed, Indoor AUTO
VA	1000
Voltage	208 / 240
Amps	4.81 / 4.17
Temperature Rise	95°C
Insulation Class	B (130°C)
Frequency	60Hz
Polarity	additive
Noise level	less than 40DB
Winding	Copper
Approvals	UL Listed CSA Approved

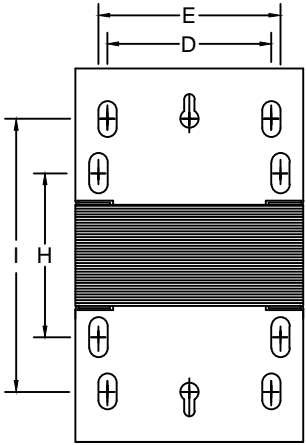
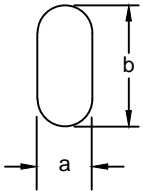


WIRING CONNECTION

VOLTS 208	CONNECT LINES TO : H1-H2
VOLTS 240	CONNECT LINES TO : H1-H3



LETTER	MOUNTING SLOTS INCHES / MM a b
S	0.25 x 0.500 6.4 x 12.7
T	0.25 x 0.625 6.4 x 15.9



DIMENSIONS INCHES / MM

VA	A	B	C	D	E	F	G	H	I	J	K	L	M	SHIP WEIGHT LBS / KG
1000	3.45 87.6	5.88 149.4	3.75 95.3	2.25 57.2	3.13 79.5			3.00(T) 76.2	4.75(S) 120.7					6.75 3.07