



MARCUS

Marcus Transformer LTD
 Phone: 1-800-267-7376
 Fax: 1-866-205-7526
 Email: Info@marcustransformer.com

TECHNICAL DATA MODEL: MT 3B1-P

3-PHASE ISOLATING

DESCRIPTION	
Type	DRY TYPE DISTRIBUTION (ANN)
KVA	3
Primary (Volts)	480
Secondary (Volts)	208Y / 120
Phase	3
Enclosure	Drip shield
Impedance (%z)	5.1
Insulation Class	220°C
Temperature Rise	150°C
Frequency	60Hz
Weight (LBS/KG)	55 / 25
Connection	Dyn1(TT-1)
BIL.	10KV

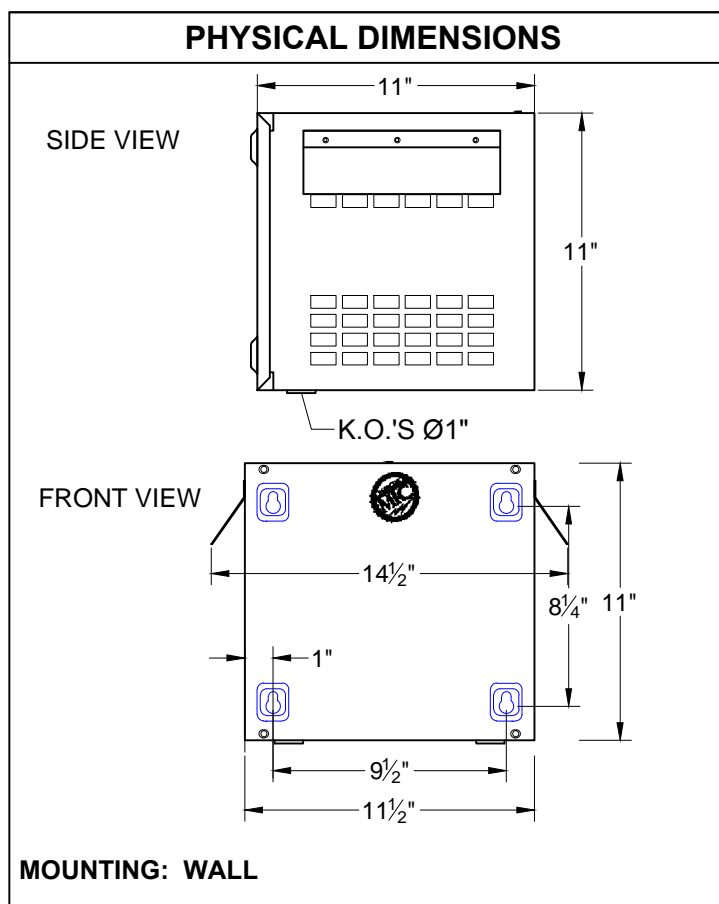
PERFORMANCE	
No load loss	24W
Total loss	180W
Noise level	45dB

EFFICIENCY			
			Efficiency = 94.0%

Primary connectors per phase : #14-#4
Secondary connectors per phase: #14-#4

FEATURES:

- Anti-vibration pads installed between the core/coil and the enclosure
- Ground lug provided
- Leads brought-up and solidly positioned into separate terminal boards
- CSA enclosure: ventilated painted ASA 61 gray
- Copper windings
- Copper ground strap between core/coil and enclosure
- CSA certified / UL listed



Customer / PO	
Project	
Engineer	
Contractor	
Revision Date	

COMMENTS



MARCUS

Marcus Transformer LTD
 Phone: 1-800-267-7376
 Fax: 1-866-205-7526
 Email: Info@marcustransformer.com

TECHNICAL DATA MODEL: MT 6A1-P 3-PHASE ISOLATING

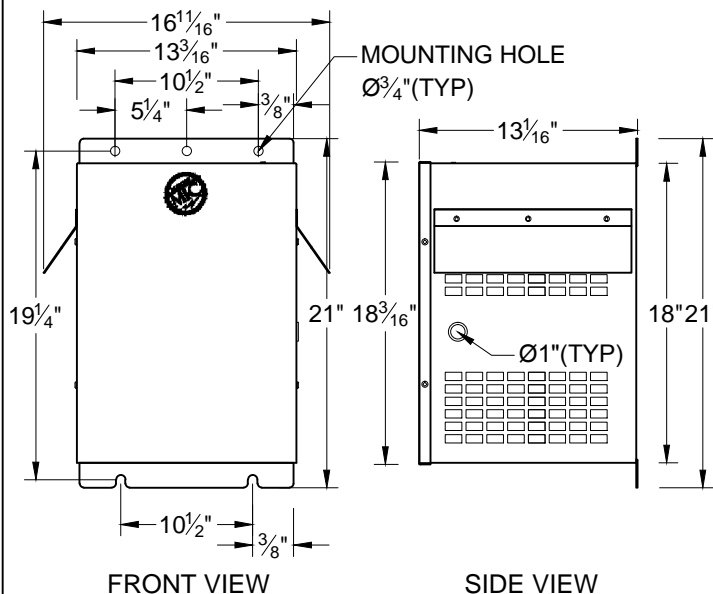
DESCRIPTION	
Type	DRY TYPE DISTRIBUTION (ANN)
KVA	6
Primary (Volts)	600
Secondary (Volts)	208Y / 120
Phase	3
Enclosure	Drip shield
Impedance (%z)	5.5
Insulation Class	220°C
Temperature Rise	150°C
Frequency	60Hz
Weight (LBS/KG)	85 / 39
Connection	Dyn1(TT-1)
BIL.	10KV

PERFORMANCE	
No load loss	35W
Total loss	335W
Noise level	45dB

EFFICIENCY	
	Efficiency = 94.1%

Primary connectors per phase : #14-#4
Secondary connectors per phase: #14-#4

PHYSICAL DIMENSIONS



MOUNTING: WALL

FEATURES:

- Anti-vibration pads installed between the core/coil and the enclosure
- Ground lug provided
- Leads brought-up and solidly positioned into separate terminal boards
- CSA enclosure: ventilated painted ASA 61gray
- Copper windings
- Copper ground strap between core/coil and enclosure
- CSA certified / UL listed

Customer / PO	
Project	
Engineer	
Contractor	
Revision Date	

COMMENTS



MARCUS

Marcus Transformer LTD
 Phone: 1-800-267-7376
 Fax: 1-866-205-7526
 Email: Info@marcustransformer.com

TECHNICAL DATA MODEL: MT 6B1-P 3-PHASE ISOLATING

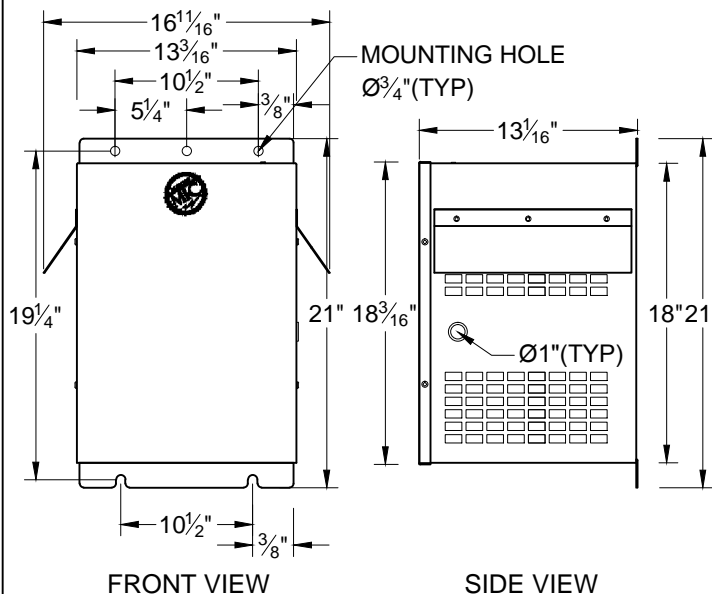
DESCRIPTION	
Type	DRY TYPE DISTRIBUTION (ANN)
KVA	6
Primary (Volts)	480
Secondary (Volts)	208Y / 120
Phase	3
Enclosure	Drip shield
Impedance (%z)	5.5
Insulation Class	220°C
Temperature Rise	150°C
Frequency	60Hz
Weight (LBS/KG)	85 / 39
Connection	Dyn1(TT-1)
BIL.	10KV

PERFORMANCE	
No load loss	35W
Total loss	335W
Noise level	45dB

EFFICIENCY	
	Efficiency = 94.1%

Primary connectors per phase : #14-#4
Secondary connectors per phase: #14-#4

PHYSICAL DIMENSIONS



MOUNTING: WALL

FEATURES:

- Anti-vibration pads installed between the core/coil and the enclosure
- Ground lug provided
- Leads brought-up and solidly positioned into separate terminal boards
- CSA enclosure: ventilated painted ASA 61gray
- Copper windings
- Copper ground strap between core/coil and enclosure
- CSA certified / UL listed

Customer / PO	
Project	
Engineer	
Contractor	
Revision Date	

COMMENTS



MARCUS

Marcus Transformer LTD
 Phone: 1-800-267-7376
 Fax: 1-866-205-7526
 Email: Info@marcustransformer.com

TECHNICAL DATA MODEL: MT 10A1-P [3-PHASE ISOLATING]

DESCRIPTION	
Type	DRY TYPE DISTRIBUTION (ANN)
KVA	10
Primary (Volts)	600
Secondary (Volts)	208Y / 120
Phase	3
Enclosure	Drip shield
Impedance (%z)	5.6
Insulation Class	220°C
Temperature Rise	150°C
Frequency	60Hz
Weight (LBS/KG)	110 / 50
Connection	Dyn1(TT-1)
BIL.	10KV

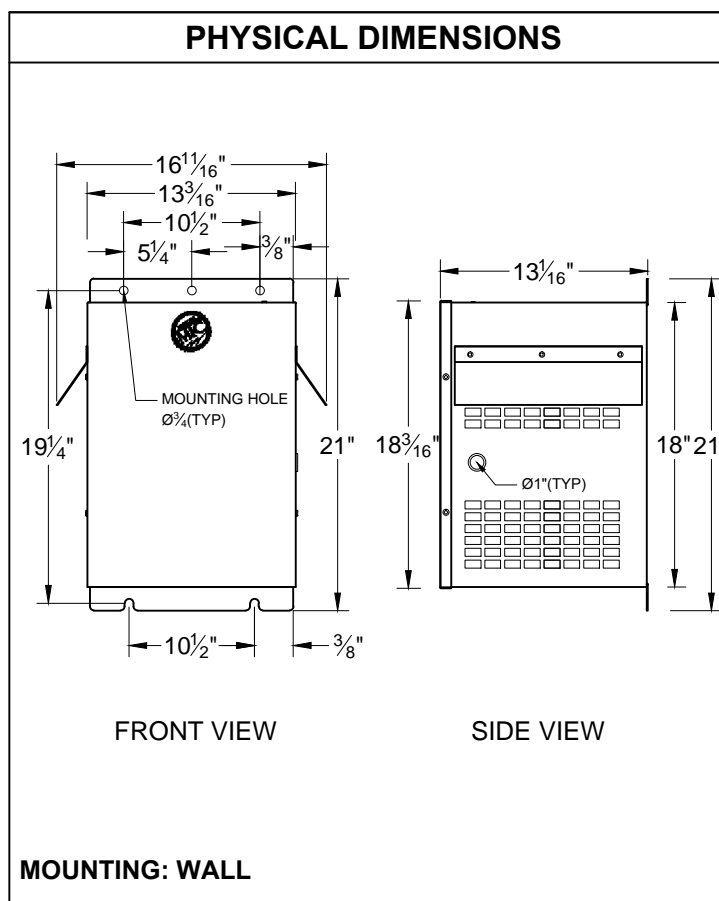
PERFORMANCE	
No load loss	42W
Total loss	520W
Noise level	45dB

EFFICIENCY	
	Efficiency = 94.8%

Primary connectors per phase : #14-#4
Secondary connectors per phase: #14-#4

FEATURES:

- Anti-vibration pads installed between the core/coil and the enclosure
- Ground lug provided
- Leads brought-up and solidly positioned into separate terminal boards
- CSA enclosure: ventilated painted ASA 61gray
- Copper windings
- Copper ground strap between core/coil and enclosure
- CSA certified / UL listed



Customer / PO	
Project	
Engineer	
Contractor	
Revision Date	

COMMENTS



MARCUS

Marcus Transformer LTD
 Phone: 1-800-267-7376
 Fax: 1-866-205-7526
 Email: Info@marcustransformer.com

TECHNICAL DATA MODEL: MT 10B1-P [3-PHASE ISOLATING]

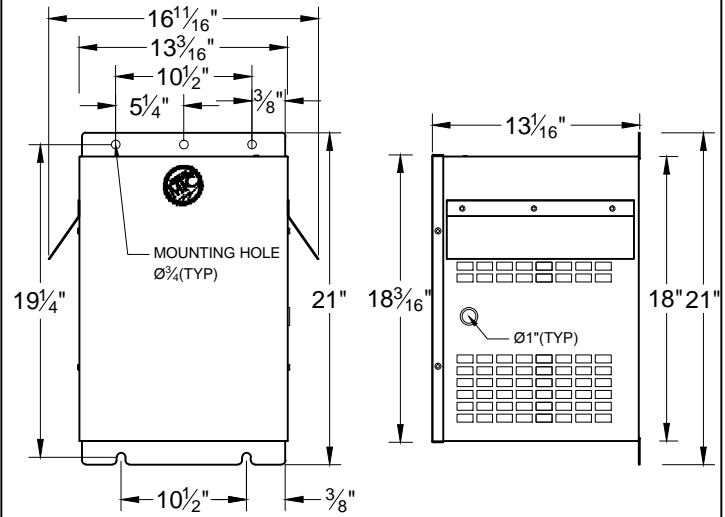
DESCRIPTION	
Type	DRY TYPE DISTRIBUTION (ANN)
KVA	10
Primary (Volts)	480
Secondary (Volts)	208Y / 120
Phase	3
Enclosure	Drip shield
Impedance (%z)	5.6
Insulation Class	220°C
Temperature Rise	150°C
Frequency	60Hz
Weight (LBS/KG)	110 / 50
Connection	Dyn1(TT-1)
BIL.	10KV

PERFORMANCE	
No load loss	42W
Total loss	520W
Noise level	45dB

EFFICIENCY	
	Efficiency = 94.8%

Primary connectors per phase : #14-#4
Secondary connectors per phase: #14-#4

PHYSICAL DIMENSIONS



FRONT VIEW

SIDE VIEW

MOUNTING: WALL

FEATURES:

- Anti-vibration pads installed between the core/coil and the enclosure
- Ground lug provided
- Leads brought-up and solidly positioned into separate terminal boards
- CSA enclosure: ventilated painted ASA 61gray
- Copper windings
- Copper ground strap between core/coil and enclosure
- CSA certified / UL listed

Customer / PO	
Project	
Engineer	
Contractor	
Revision Date	

COMMENTS



MARCUS

Marcus Transformer LTD
 Phone: 1-800-267-7376
 Fax: 1-866-205-7526
 Email: Info@marcustransformer.com

TECHNICAL DATA MODEL: MT 15A1-P

3-PHASE ISOLATING

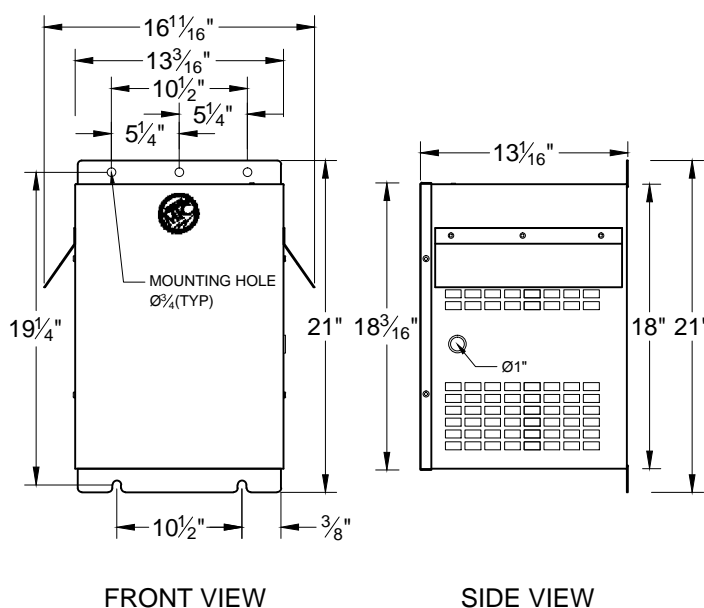
DESCRIPTION	
Type	DRY TYPE DISTRIBUTION (ANN)
KVA	15
Primary (Volts)	600
Secondary (Volts)	208Y / 120
Phase	3
Enclosure	Drip shield
Impedance (%z)	5.3
Insulation Class	220°C
Temperature Rise	150°C
Frequency	60Hz
Weight (LBS/KG)	170 / 78
Connection	Dyn1(TT-1)
BIL.	10KV

PERFORMANCE	
No load loss	55W
Total loss	861W
Noise level	45dB

EFFICIENCY	
	Efficiency = 97.48% (As per CSA C802.2 & NEMA TP-1)

Primary connectors per phase : #14-#4
Secondary connectors per phase: #8-2/0

PHYSICAL DIMENSIONS



MOUNTING: WALL

FEATURES:

- Anti-vibration pads installed between the core/coil and the enclosure
- Ground lug provided
- Leads brought-up and solidly positioned into separate terminal boards
- CSA enclosure: ventilated painted ASA 61gray
- Transformer meets the efficiency values as per CSA C802.2 / NEMA TP-1
- Copper ground strap between core/coil and enclosure
- CSA certified / UL listed
- Copper windings

Customer / PO	
Project	
Engineer	
Contractor	
Revision Date	

COMMENTS



MARCUS

Marcus Transformer LTD
 Phone: 1-800-267-7376
 Fax: 1-866-205-7526
 Email: Info@marcustransformer.com

TECHNICAL DATA MODEL: MT 15B1-P

3-PHASE ISOLATING

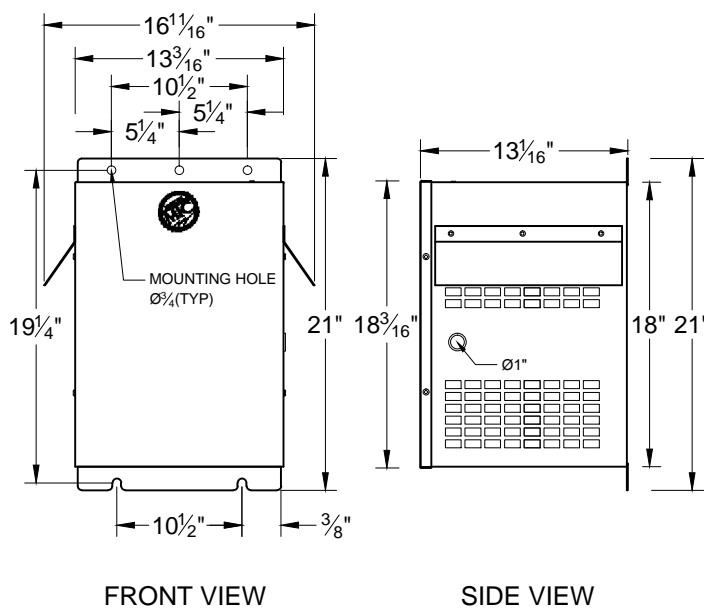
DESCRIPTION	
Type	DRY TYPE DISTRIBUTION (ANN)
KVA	15
Primary (Volts)	480
Secondary (Volts)	208Y / 120
Phase	3
Enclosure	Drip shield
Impedance (%z)	5.3
Insulation Class	220°C
Temperature Rise	150°C
Frequency	60Hz
Weight (LBS/KG)	170 / 78
Connection	Dyn1(TT-1)
BIL.	10KV

PERFORMANCE	
No load loss	55W
Total loss	861W
Noise level	45dB

EFFICIENCY	
	Efficiency = 97.48% (As per CSA C802.2 & NEMA TP-1)

Primary connectors per phase : #14-#4
Secondary connectors per phase: #8-2/0

PHYSICAL DIMENSIONS



MOUNTING: WALL

FEATURES:

- Anti-vibration pads installed between the core/coil and the enclosure
- Ground lug provided
- Leads brought-up and solidly positioned into separate terminal boards
- CSA enclosure: ventilated painted ASA 61gray
- Transformer meets the efficiency values as per CSA C802.2 / NEMA TP-1
- Copper ground strap between core/coil and enclosure
- CSA certified / UL listed
- Copper windings

Customer / PO	
Project	
Engineer	
Contractor	
Revision Date	

COMMENTS



MARCUS

Marcus Transformer LTD
 Phone: 1-800-267-7376
 Fax: 1-866-205-7526
 Email: Info@marcustransformer.com

TECHNICAL DATA MODEL:MT 30A1

3-PHASE ISOLATING

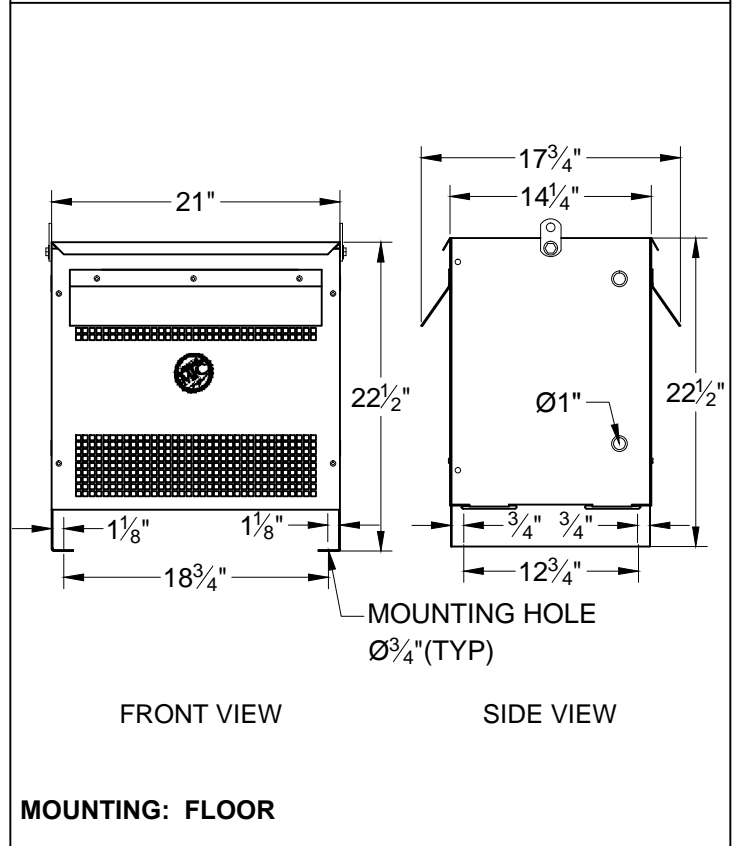
DESCRIPTION	
Type	DRY TYPE DISTRIBUTION (ANN)
KVA	30
Primary (Volts)	600
Secondary (Volts)	208Y / 120
Phase	3
Enclosure	NEMA 2
Impedance (%z)	5.1
Insulation Class	220°C
Temperature Rise	150°C
Frequency	60Hz
Weight (LBS/KG)	250 / 140
Connection	Open Delta auto
BIL.	10KV

PERFORMANCE	
No load loss	106W
Total loss	1250W
Noise level	45dB

EFFICIENCY	
	Efficiency = 97.56% (As per CSA C802.2 & NEMA TP-1)

Primary connectors per phase : #14-#4
Secondary connectors per phase: #8-2/0

PHYSICAL DIMENSIONS



FEATURES:

- Anti-vibration pads installed between the core/coil and the enclosure
- Ground lug provided
- Leads brought-up and solidly positioned into separate terminal boards
- CSA enclosure: ventilated painted ASA 61gray
- Transformer meets the efficiency values as per CSA C802.2 / NEMA TP-1
- Copper ground strap between core/coil and enclosure
- CSA certified / UL listed
- Copper windings

Customer / PO	
Project	
Engineer	
Contractor	
Revision Date	

COMMENTS



MARCUS

Marcus Transformer LTD
 Phone: 1-800-267-7376
 Fax: 1-866-205-7526
 Email: Info@marcustransformer.com

TECHNICAL DATA MODEL:MT 30B1-P

3-PHASE ISOLATING

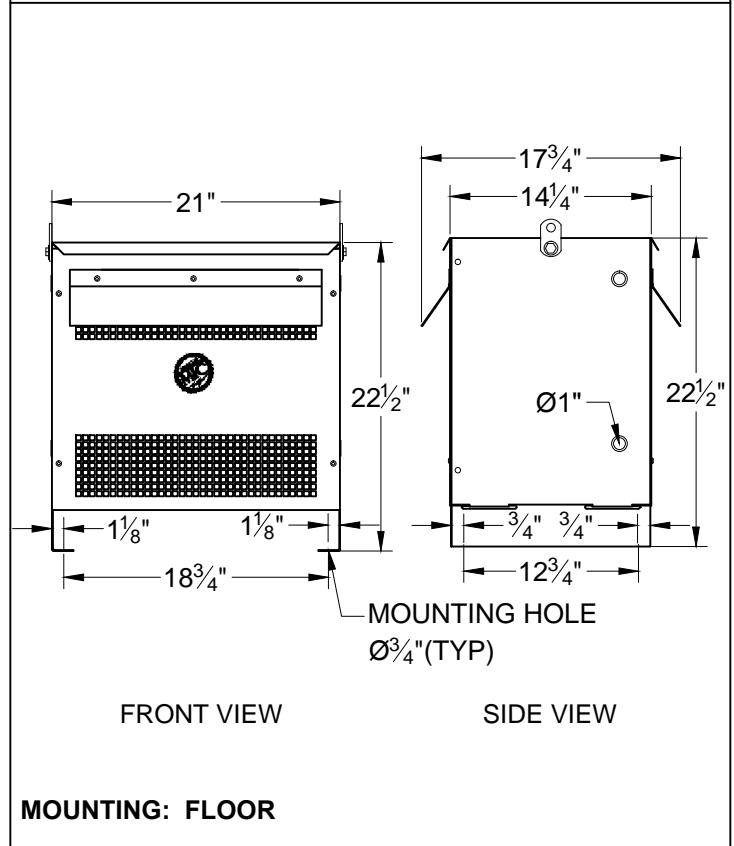
DESCRIPTION	
Type	DRY TYPE DISTRIBUTION (ANN)
KVA	30
Primary (Volts)	480
Secondary (Volts)	208Y / 120
Phase	3
Enclosure	Drip shield
Impedance (%z)	5.1
Insulation Class	220°C
Temperature Rise	150°C
Frequency	60Hz
Weight (LBS/KG)	250 / 140
Connection	Dyn1(TT-1)
BIL.	10KV

PERFORMANCE	
No load loss	106W
Total loss	1664W
Noise level	45dB

EFFICIENCY	
	Efficiency = 97.56% (As per CSA C802.2 & NEMA TP-1)

Primary connectors per phase : #14-#4
Secondary connectors per phase: #8-2/0

PHYSICAL DIMENSIONS



FEATURES:

- Anti-vibration pads installed between the core/coil and the enclosure
- Ground lug provided
- Leads brought-up and solidly positioned into separate terminal boards
- CSA enclosure: ventilated painted ASA 61gray
- Transformer meets the efficiency values as per CSA C802.2 / NEMA TP-1
- Copper ground strap between core/coil and enclosure
- CSA certified / UL listed
- Copper windings

Customer / PO	
Project	
Engineer	
Contractor	
Revision Date	

COMMENTS



MARCUS

Marcus Transformer LTD
 Phone: 1-800-267-7376
 Fax: 1-866-205-7526
 Email: Info@marcustransformer.com

TECHNICAL DATA MODEL:MT 45A1-P

3-PHASE ISOLATING

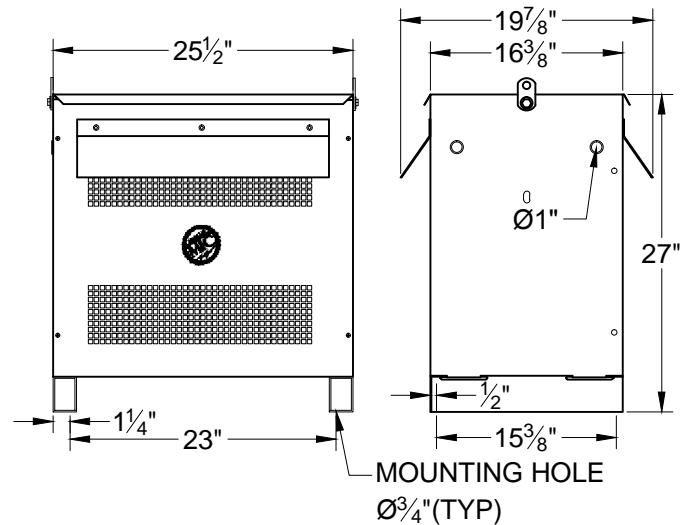
DESCRIPTION	
Type	DRY TYPE DISTRIBUTION (ANN)
KVA	45
Primary (Volts)	600
Secondary (Volts)	208Y / 120
Phase	3
Enclosure	Drip shield
Impedance (%z)	4.8
Insulation Class	220°C
Temperature Rise	150°C
Frequency	60Hz
Weight (LBS/KG)	370 / 169
Connection	Dyn1(TT-1)
BIL.	10KV

PERFORMANCE	
No load loss	137W
Total loss	2000W
Noise level	45dB

EFFICIENCY	
	Efficiency = 97.98%
	(As per CSA C802.2 & NEMA TP-1)

Primary connectors per phase : #14-#4
Secondary connectors per phase: #6-250MCM

PHYSICAL DIMENSIONS



FRONT VIEW

SIDE VIEW

MOUNTING: FLOOR

FEATURES:

- Anti-vibration pads installed between the core/coil and the enclosure
- Ground lug provided
- Leads brought-up and solidly positioned into separate terminal boards
- CSA enclosure: ventilated painted ASA 61gray
- Transformer meets the efficiency values as per CSA C802.2 / NEMA TP-1
- Copper ground strap between core/coil and enclosure
- CSA certified / UL listed
- Copper windings

Customer / PO	
Project	
Engineer	
Contractor	
Revision Date	

COMMENTS



MARCUS

Marcus Transformer LTD
 Phone: 1-800-267-7376
 Fax: 1-866-205-7526
 Email: Info@marcustransformer.com

TECHNICAL DATA MODEL:MT 45B1-P

3-PHASE ISOLATING

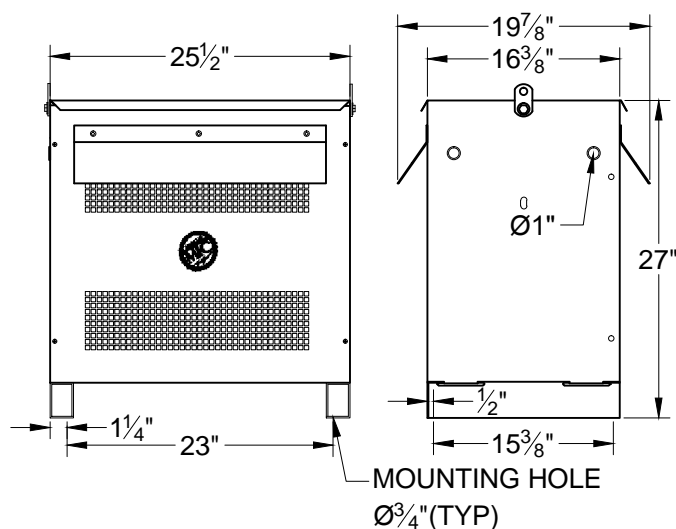
DESCRIPTION	
Type	DRY TYPE DISTRIBUTION (ANN)
KVA	45
Primary (Volts)	480
Secondary (Volts)	208Y / 120
Phase	3
Enclosure	Drip shield
Impedance (%Z)	4.8
Insulation Class	220°C
Temperature Rise	150°C
Frequency	60Hz
Weight (LBS/KG)	370 / 169
Connection	Dyn1(TT-1)
BIL.	10KV

PERFORMANCE	
No load loss	137W
Total loss	2000W
Noise level	45dB

EFFICIENCY	
	Efficiency = 97.98%
	(As per CSA C802.2 & NEMA TP-1)

Primary connectors per phase : #14-#4
Secondary connectors per phase: #6-250MCM

PHYSICAL DIMENSIONS



FRONT VIEW

SIDE VIEW

MOUNTING: FLOOR

FEATURES:

- Anti-vibration pads installed between the core/coil and the enclosure
- Ground lug provided
- Leads brought-up and solidly positioned into separate terminal boards
- CSA enclosure: ventilated painted ASA 61gray
- Transformer meets the efficiency values as per CSA C802.2 / NEMA TP-1
- Copper ground strap between core/coil and enclosure
- CSA certified / UL listed
- Copper windings

Customer / PO	
Project	
Engineer	
Contractor	
Revision Date	

COMMENTS



MARCUS

Marcus Transformer LTD
 Phone: 1-800-267-7376
 Fax: 1-866-205-7526
 Email: Info@marcustransformer.com

TECHNICAL DATA MODEL:MT 50A1-P

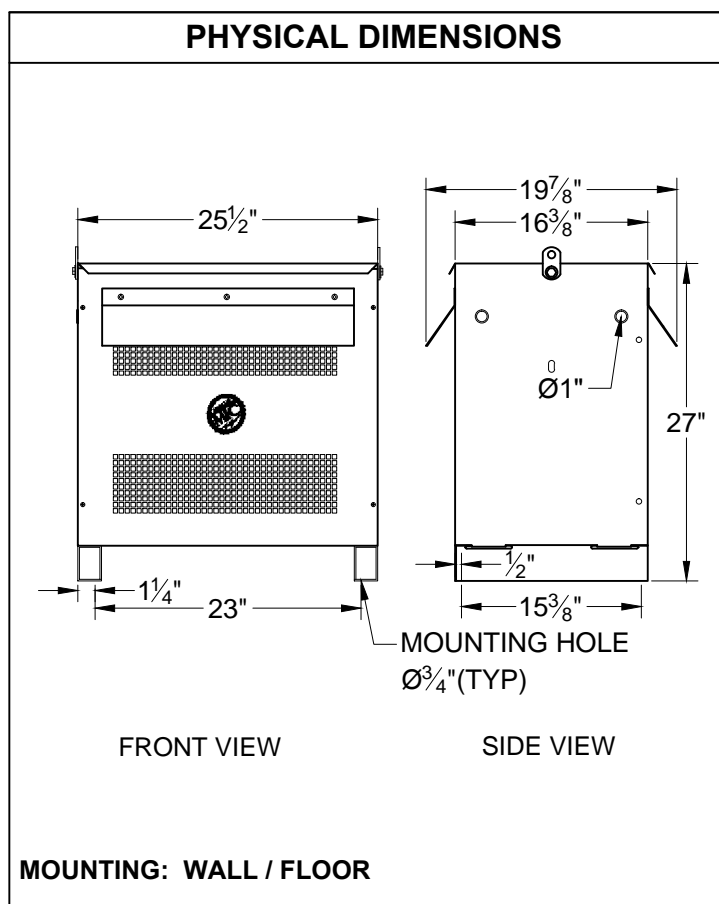
3-PHASE ISOLATING

DESCRIPTION	
Type	DRY TYPE DISTRIBUTION (ANN)
KVA	50
Primary (Volts)	600
Secondary (Volts)	208Y / 120
Phase	3
Enclosure	Drip shield
Impedance (%z)	4.8
Insulation Class	220°C
Temperature Rise	150°C
Frequency	60Hz
Weight (LBS/KG)	425 / 193
Connection	Dyn1(TT-1)
BIL.	10KV

PERFORMANCE	
No load loss	137W
Total loss	2080W
Noise level	45dB

EFFICIENCY	
	Efficiency = 97.98%
	(As per CSA C802.2 & NEMA TP-1)

Primary connectors per phase : #14-#4
Secondary connectors per phase: #6-250MCM



FEATURES:

- Anti-vibration pads installed between the core/coil and the enclosure
- Ground lug provided
- Leads brought-up and solidly positioned into separate terminal boards
- CSA enclosure: ventilated painted ASA 61gray
- Transformer meets the efficiency values as per CSA C802.2 / NEMA TP-1
- Copper ground strap between core/coil and enclosure
- CSA certified / UL listed
- Copper windings

Customer / PO	
Project	
Engineer	
Contractor	
Revision Date	

COMMENTS



MARCUS

Marcus Transformer LTD
 Phone: 1-800-267-7376
 Fax: 1-866-205-7526
 Email: Info@marcustransformer.com

TECHNICAL DATA MODEL:MT 50B1-P

3-PHASE ISOLATING

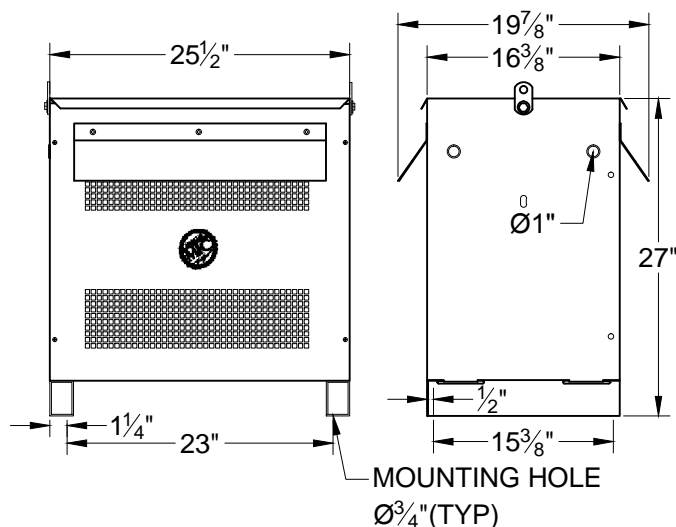
DESCRIPTION	
Type	DRY TYPE DISTRIBUTION (ANN)
KVA	50
Primary (Volts)	480
Secondary (Volts)	208Y / 120
Phase	3
Enclosure	Drip shield
Impedance (%z)	4.8
Insulation Class	220°C
Temperature Rise	150°C
Frequency	60Hz
Weight (LBS/KG)	425 / 193
Connection	Dyn1(TT-1)
BIL.	10KV

PERFORMANCE	
No load loss	137W
Total loss	2080W
Noise level	45dB

EFFICIENCY	
	Efficiency = 97.98% (As per CSA C802.2 & NEMA TP-1)

Primary connectors per phase : #14-#4
Secondary connectors per phase: #6-250MCM

PHYSICAL DIMENSIONS



FRONT VIEW

SIDE VIEW

MOUNTING: WALL / FLOOR

FEATURES:

- Anti-vibration pads installed between the core/coil and the enclosure
- Ground lug provided
- Leads brought-up and solidly positioned into separate terminal boards
- CSA enclosure: ventilated painted ASA 61gray
- Transformer meets the efficiency values as per CSA C802.2 / NEMA TP-1
- Copper ground strap between core/coil and enclosure
- CSA certified / UL listed
- Copper windings

Customer / PO	
Project	
Engineer	
Contractor	
Revision Date	

COMMENTS



MARCUS

Marcus Transformer LTD
 Phone: 1-800-267-7376
 Fax: 1-866-205-7526
 Email: Info@marcustransformer.com

TECHNICAL DATA MODEL:MT 75A1-P

3-PHASE ISOLATING

DESCRIPTION	
Type	DRY TYPE DISTRIBUTION (ANN)
KVA	75
Primary (Volts)	600
Secondary (Volts)	208Y / 120
Phase	3
Enclosure	Drip shield
Impedance (%z)	4.7
Insulation Class	220°C
Temperature Rise	150°C
Frequency	60Hz
Weight (LBS/KG)	520 / 237
Connection	Dyn1(TT-1)
BIL.	10KV

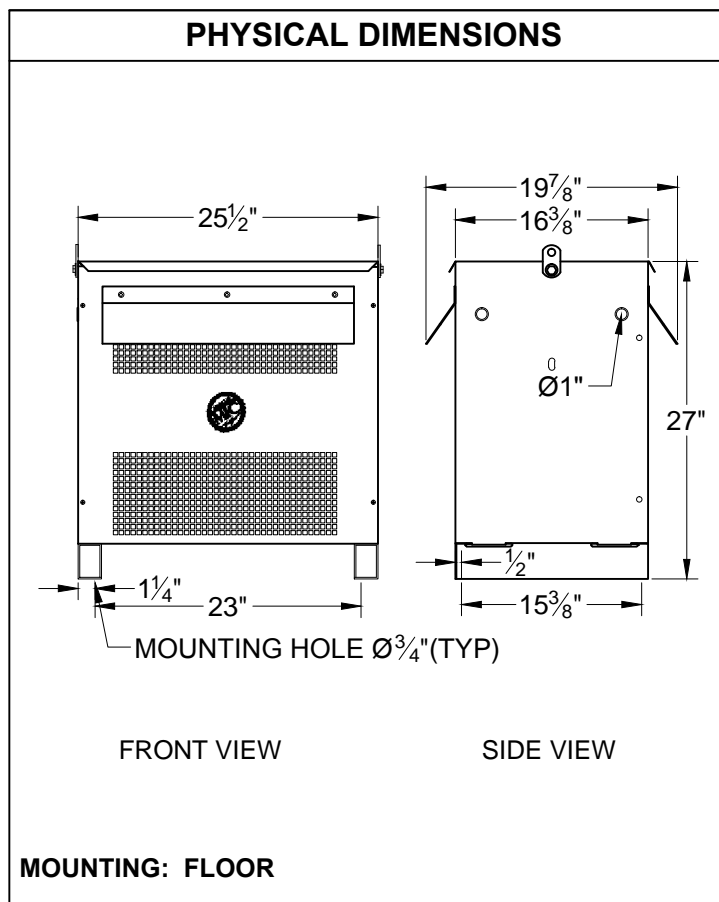
PERFORMANCE	
No load loss	200W
Total loss	2800W
Noise level	50dB

EFFICIENCY	
	Efficiency = 98.27%
	(As per CSA C802.2 & NEMA TP-1)

Primary connectors per phase :	#6-2/0
Secondary connectors per phase:	#6-250MCM

FEATURES:

- Anti-vibration pads installed between the core/coil and the enclosure
- Ground lug provided
- Leads brought-up and solidly positioned into separate terminal boards
- CSA enclosure: ventilated painted ASA 61gray
- Transformer meets the efficiency values as per CSA C802.2 / NEMA TP-1
- Copper ground strap between core/coil and enclosure
- CSA certified / UL listed
- Copper windings



Customer / PO	
Project	
Engineer	
Contractor	
Revision Date	

COMMENTS



MARCUS

Marcus Transformer LTD
 Phone: 1-800-267-7376
 Fax: 1-866-205-7526
 Email: Info@marcustransformer.com

TECHNICAL DATA MODEL:MT 75B1-P

3-PHASE ISOLATING

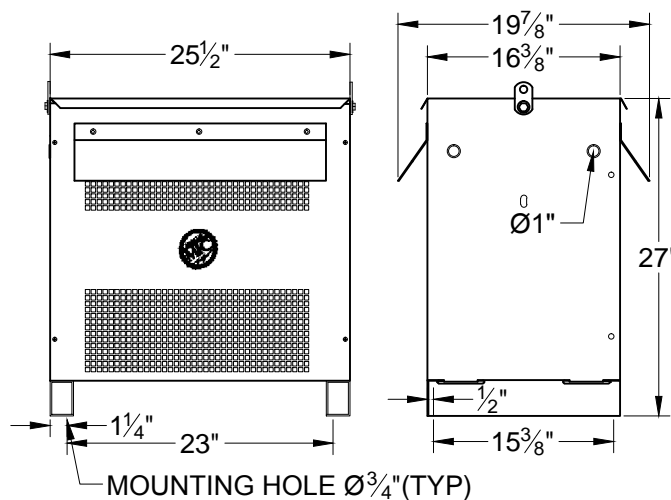
DESCRIPTION	
Type	DRY TYPE DISTRIBUTION (ANN)
KVA	75
Primary (Volts)	480
Secondary (Volts)	208Y / 120
Phase	3
Enclosure	Drip shield
Impedance (%z)	4.7
Insulation Class	220°C
Temperature Rise	150°C
Frequency	60Hz
Weight (LBS/KG)	520 / 237
Connection	Dyn1(TT-1)
BIL.	10KV

PERFORMANCE	
No load loss	200W
Total loss	2800W
Noise level	50dB

EFFICIENCY	
	Efficiency = 98.27% (As per CSA C802.2 & NEMA TP-1)

Primary connectors per phase : #6-2/0
Secondary connectors per phase: #6-250MCM

PHYSICAL DIMENSIONS



MOUNTING: FLOOR

FEATURES:

- Anti-vibration pads installed between the core/coil and the enclosure
- Ground lug provided
- Leads brought-up and solidly positioned into separate terminal boards
- CSA enclosure: ventilated painted ASA 61gray
- Transformer meets the efficiency values as per CSA C802.2 / NEMA TP-1
- Copper ground strap between core/coil and enclosure
- CSA certified / UL listed
- Copper windings

Customer / PO	
Project	
Engineer	
Contractor	
Revision Date	

COMMENTS



MARCUS

Marcus Transformer LTD
 Phone: 1-800-267-7376
 Fax: 1-866-205-7526
 Email: Info@marcustransformer.com

TECHNICAL DATA MODEL: MT 112.5A1-P 3-PHASE ISOLATING

DESCRIPTION	
Type	DRY TYPE DISTRIBUTION (ANN)
KVA	112.5
Primary (Volts)	600
Secondary (Volts)	208Y / 120
Phase	3
Enclosure	Drip shield
Impedance (%Z)	3.8
Insulation Class	220°C
Temperature Rise	150°C
Frequency	60Hz
Weight (LBS/KG)	820 / 375
Connection	Dyn1(TT-1)
BIL.	10KV

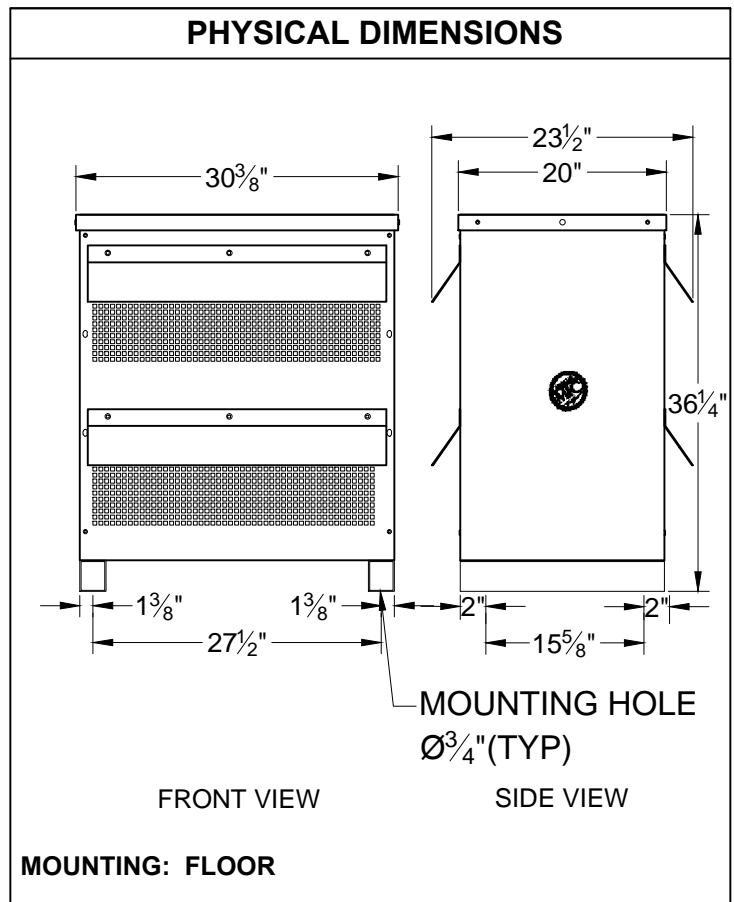
PERFORMANCE	
No load loss	350W
Total loss	3438W
Noise level	50dB

EFFICIENCY	
	Efficiency = 98.35% (As per CSA C802.2 & NEMA TP-1)

Primary connectors per phase : #8-250MCM
Secondary connectors per phase: #2/0-600MCM

FEATURES:

- Anti-vibration pads installed between the core/coil and the enclosure
- Ground lug provided
- Leads brought-up and solidly positioned into separate terminal boards
- CSA enclosure: ventilated painted ASA 61gray
- Transformer meets the efficiency values as per CSA C802.2 / NEMA TP-1
- Copper ground strap between core/coil and enclosure
- CSA certified / UL listed
- Copper windings



Customer / PO	
Project	
Engineer	
Contractor	
Revision Date	

COMMENTS



MARCUS

Marcus Transformer LTD
 Phone: 1-800-267-7376
 Fax: 1-866-205-7526
 Email: Info@marcustransformer.com

TECHNICAL DATA MODEL: MT 112.5B1-P 3-PHASE ISOLATING

DESCRIPTION	
Type	DRY TYPE DISTRIBUTION (ANN)
KVA	112.5
Primary (Volts)	480
Secondary (Volts)	208Y / 120
Phase	3
Enclosure	Drip shield
Impedance (%z)	3.8
Insulation Class	220°C
Temperature Rise	150°C
Frequency	60Hz
Weight (LBS/KG)	820 / 375
Connection	Dyn1(TT-1)
BIL.	10KV

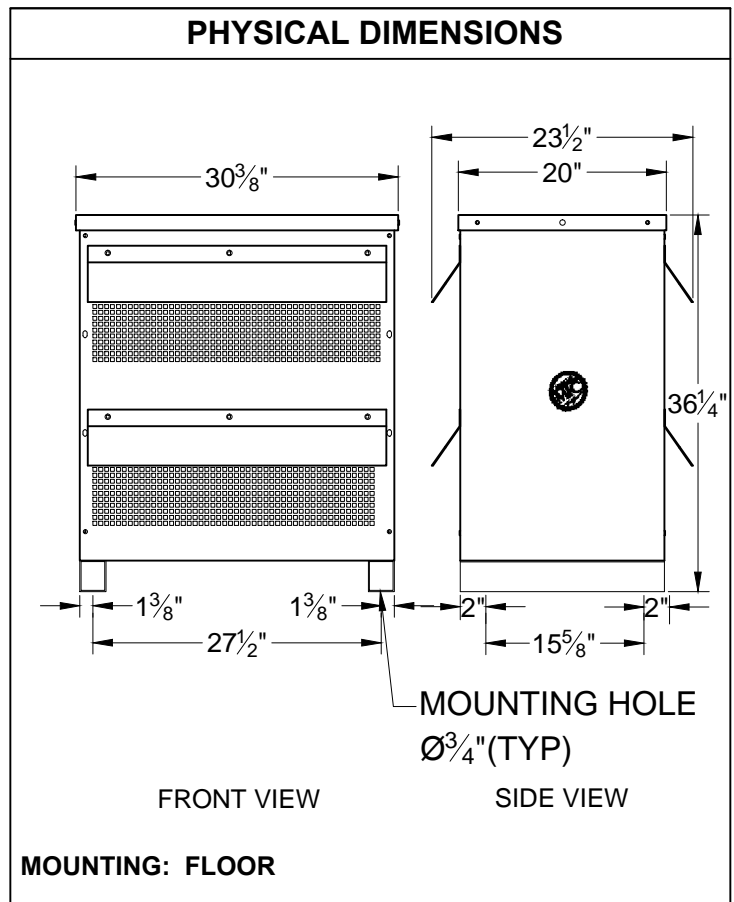
PERFORMANCE	
No load loss	350W
Total loss	3438W
Noise level	50dB

EFFICIENCY	
	Efficiency = 98.35% (As per CSA C802.2 & NEMA TP-1)

Primary connectors per phase : #8-250MCM
Secondary connectors per phase: #2/0-600MCM

FEATURES:

- Anti-vibration pads installed between the core/coil and the enclosure
- Ground lug provided
- Leads brought-up and solidly positioned into separate terminal boards
- CSA enclosure: ventilated painted ASA 61gray
- Transformer meets the efficiency values as per CSA C802.2 / NEMA TP-1
- Copper ground strap between core/coil and enclosure
- CSA certified / UL listed
- Copper windings



Customer / PO	
Project	
Engineer	
Contractor	
Revision Date	

COMMENTS



MARCUS

Marcus Transformer LTD
 Phone: 1-800-267-7376
 Fax: 1-866-205-7526
 Email: Info@marcustransformer.com

TECHNICAL DATA MODEL: MT 150A1-P

3-PHASE ISOLATING

DESCRIPTION	
Type	DRY TYPE DISTRIBUTION (ANN)
KVA	150
Primary (Volts)	600
Secondary (Volts)	208Y / 120
Phase	3
Enclosure	Drip shield
Impedance (%z)	4.0
Insulation Class	220°C
Temperature Rise	150°C
Frequency	60Hz
Weight (LBS/KG)	995 / 451
Connection	Dyn1(TT-1)
BIL.	10KV

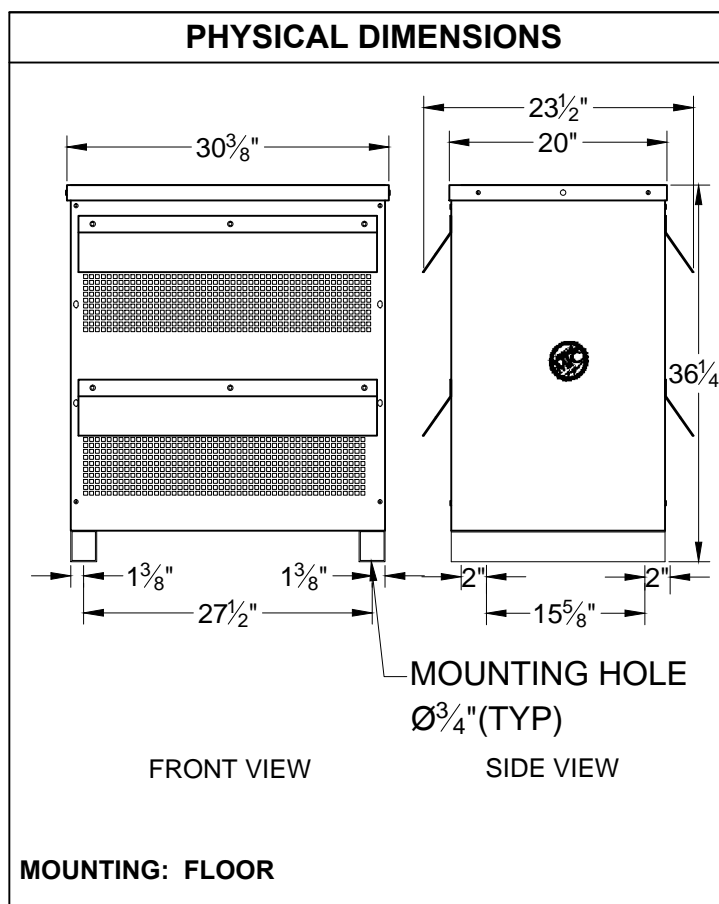
PERFORMANCE	
No load loss	422W
Total loss	4042W
Noise level	50dB

EFFICIENCY	
	Efficiency = 98.53% (As per CSA C802.2 & NEMA TP-1)

Primary connectors per phase :	#4-250MCM
Secondary connectors per phase:	#2/0-350MCM(D)

FEATURES:

- Anti-vibration pads installed between the core/coil and the enclosure
- Ground lug provided
- Leads brought-up and solidly positioned into separate terminal boards
- CSA enclosure: ventilated painted ASA 61gray
- Transformer meets the efficiency values as per CSA C802.2 / NEMA TP-1
- Copper ground strap between core/coil and enclosure
- CSA certified / UL listed
- Copper windings



Customer / PO	
Project	
Engineer	
Contractor	
Revision Date	

COMMENTS



MARCUS

Marcus Transformer LTD
 Phone: 1-800-267-7376
 Fax: 1-866-205-7526
 Email: Info@marcustransformer.com

TECHNICAL DATA MODEL:MT 225A1-P

3-PHASE ISOLATING

DESCRIPTION	
Type	DRY TYPE DISTRIBUTION (ANN)
KVA	225
Primary (Volts)	600
Secondary (Volts)	208Y / 120
Phase	3
Enclosure	Drip shield
Impedance (%z)	4.1
Insulation Class	220°C
Temperature Rise	150°C
Frequency	60Hz
Weight (LBS/KG)	1450 / 658
Connection	Dyn1(TT-1)
BIL.	10KV

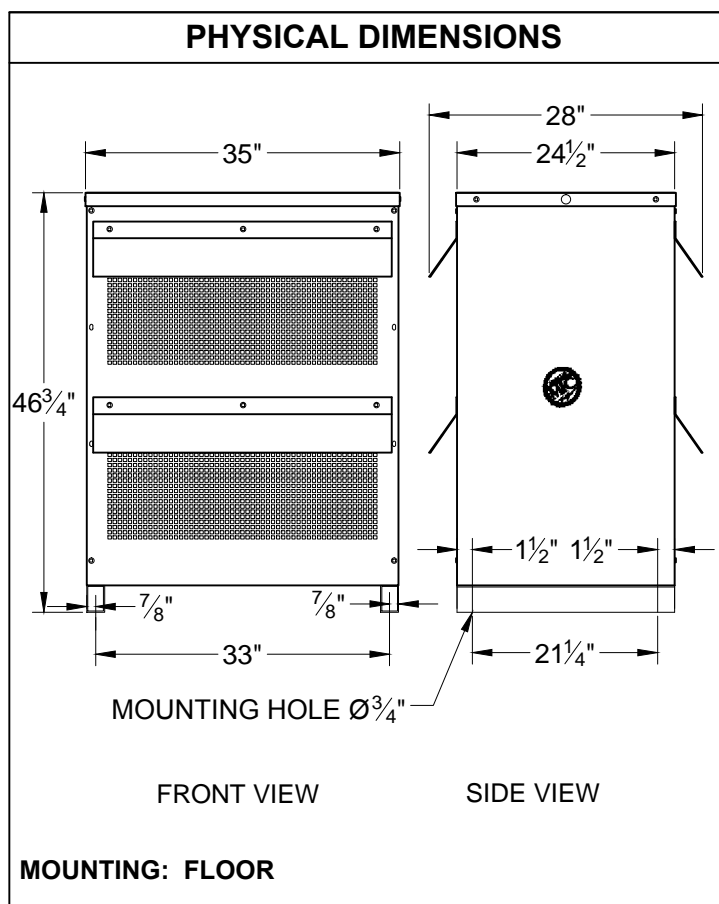
PERFORMANCE	
No load loss	610W
Total loss	6058W
Noise level	55dB

EFFICIENCY	
	Efficiency = 98.55%
	(As per CSA C802.2 & NEMA TP-1)

Primary connectors per phase :	2/0-350MCM
Secondary connectors per phase:	4/0-600MCM(D)

FEATURES:

- Anti-vibration pads installed between the core/coil and the enclosure
- Ground lug provided
- Leads brought-up and solidly positioned into separate terminal boards
- CSA enclosure: ventilated painted ASA 61gray
- Transformer meets the efficiency values as per CSA C802.2 / NEMA TP-1
- Copper ground strap between core/coil and enclosure
- CSA certified / UL listed
- Copper windings



Customer / PO	
Project	
Engineer	
Contractor	
Revision Date	

COMMENTS



MARCUS

Marcus Transformer LTD
 Phone: 1-800-267-7376
 Fax: 1-866-205-7526
 Email: Info@marcustransformer.com

TECHNICAL DATA MODEL:MT 150B1-P

3-PHASE ISOLATING

DESCRIPTION	
Type	DRY TYPE DISTRIBUTION (ANN)
KVA	150
Primary (Volts)	480
Secondary (Volts)	208Y / 120
Phase	3
Enclosure	Drip shield
Impedance (%z)	4.0
Insulation Class	220°C
Temperature Rise	150°C
Frequency	60Hz
Weight (LBS/KG)	995 / 451
Connection	Dyn1(TT-1)
BIL.	10KV

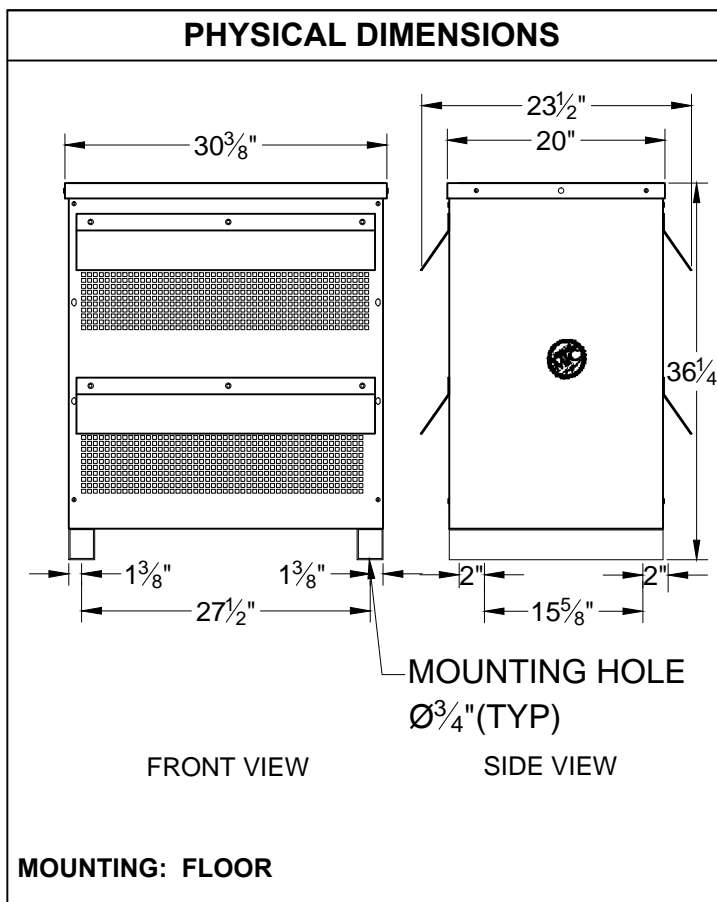
PERFORMANCE	
No load loss	422W
Total loss	4042W
Noise level	50dB

EFFICIENCY	
	Efficiency = 98.53% (As per CSA C802.2 & NEMA TP-1)

Primary connectors per phase :	#4-250MCM
Secondary connectors per phase:	#2/0-350MCM(D)

FEATURES:

- Anti-vibration pads installed between the core/coil and the enclosure
- Ground lug provided
- Leads brought-up and solidly positioned into separate terminal boards
- CSA enclosure: ventilated painted ASA 61gray
- Transformer meets the efficiency values as per CSA C802.2 / NEMA TP-1
- Copper ground strap between core/coil and enclosure
- CSA certified / UL listed
- Copper windings



Customer / PO	
Project	
Engineer	
Contractor	
Revision Date	

COMMENTS



MARCUS

Marcus Transformer LTD
 Phone: 1-800-267-7376
 Fax: 1-866-205-7526
 Email: Info@marcustransformer.com

TECHNICAL DATA MODEL:MT 225B1-P 3-PHASE ISOLATING

DESCRIPTION	
Type	DRY TYPE DISTRIBUTION (ANN)
KVA	225
Primary (Volts)	480
Secondary (Volts)	208Y / 120
Phase	3
Enclosure	Drip shield
Impedance (%z)	4.1
Insulation Class	220°C
Temperature Rise	150°C
Frequency	60Hz
Weight (LBS/KG)	1450 / 658
Connection	Dyn1(TT-1)
BIL.	10KV

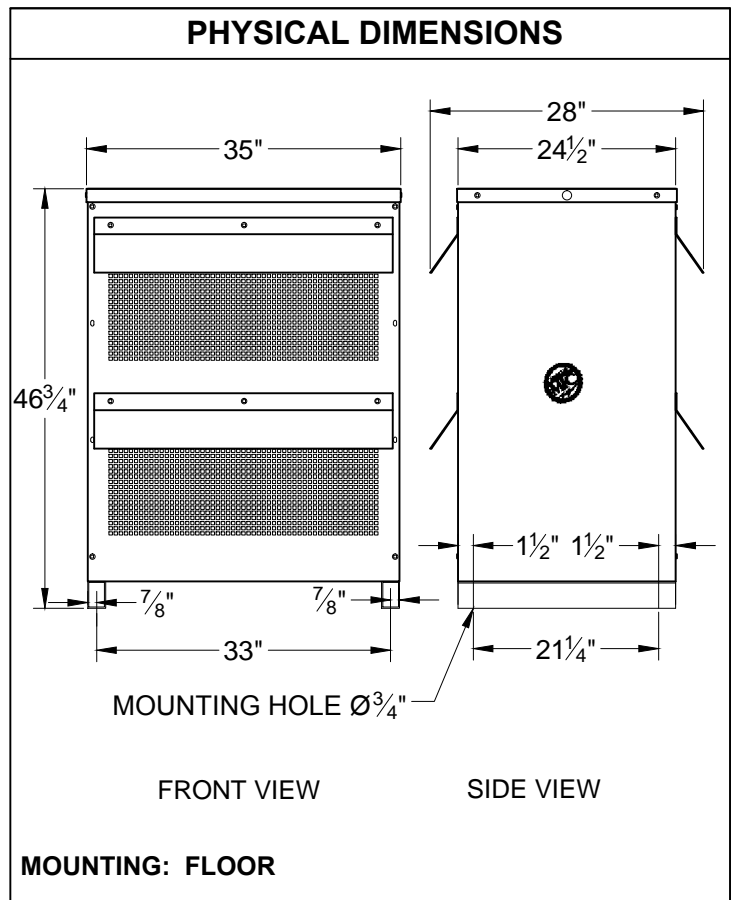
PERFORMANCE	
No load loss	610W
Total loss	6058W
Noise level	55dB

EFFICIENCY	
	Efficiency = 98.55%
	(As per CSA C802.2 & NEMA TP-1)

Primary connectors per phase :	2/0-350MCM
Secondary connectors per phase:	4/0-600MCM(D)

FEATURES:

- Anti-vibration pads installed between the core/coil and the enclosure
- Ground lug provided
- Leads brought-up and solidly positioned into separate terminal boards
- CSA enclosure: ventilated painted ASA 61gray
- Transformer meets the efficiency values as per CSA C802.2 / NEMA TP-1
- Copper ground strap between core/coil and enclosure
- CSA certified / UL listed
- Copper windings



Customer / PO	
Project	
Engineer	
Contractor	
Revision Date	

COMMENTS



MARCUS

Marcus Transformer LTD
 Phone: 1-800-267-7376
 Fax: 1-866-205-7526
 Email: Info@marcustransformer.com

TECHNICAL DATA MODEL:MT 300A1-P 3-PHASE ISOLATING

DESCRIPTION	
Type	DRY TYPE DISTRIBUTION (ANN)
KVA	300
Primary (Volts)	600
Secondary (Volts)	208Y / 120
Phase	3
Enclosure	Drip shield
Impedance (%z)	4.0
Insulation Class	220°C
Temperature Rise	150°C
Frequency	60Hz
Weight (LBS/KG)	1810 / 821
Connection	Dyn1(TT-1)
BIL.	10KV

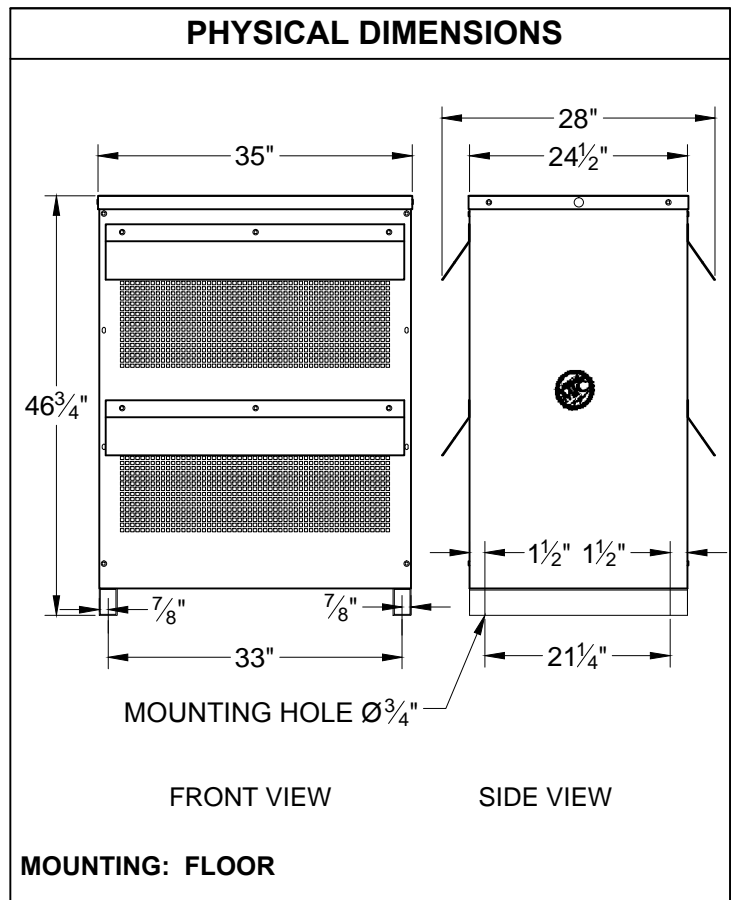
PERFORMANCE	
No load loss	790W
Total loss	7790W
Noise level	55dB

EFFICIENCY	
	Efficiency = 98.6%
	(As per CSA C802.2 & NEMA TP-1)

Primary connectors per phase :	4/0-350MCM(S)
Secondary connectors per phase:	4/0-750MCM(D)

FEATURES:

- Anti-vibration pads installed between the core/coil and the enclosure
- Ground lug provided
- Leads brought-up and solidly positioned into separate terminal boards
- CSA enclosure: ventilated painted ASA 61gray
- Transformer meets the efficiency values as per CSA C802.2 / NEMA TP-1
- Copper ground strap between core/coil and enclosure
- CSA certified / UL listed
- Copper windings



Customer / PO	
Project	
Engineer	
Contractor	
Revision Date	

COMMENTS



MARCUS

Marcus Transformer LTD
 Phone: 1-800-267-7376
 Fax: 1-866-205-7526
 Email: Info@marcustransformer.com

TECHNICAL DATA MODEL:MT 300B1-P

3-PHASE ISOLATING

DESCRIPTION	
Type	DRY TYPE DISTRIBUTION (ANN)
KVA	300
Primary (Volts)	480
Secondary (Volts)	208Y / 120
Phase	3
Enclosure	Drip shield
Impedance (%z)	4.0
Insulation Class	220°C
Temperature Rise	150°C
Frequency	60Hz
Weight (LBS/KG)	1810 / 821
Connection	Dyn1(TT-1)
BIL.	10KV

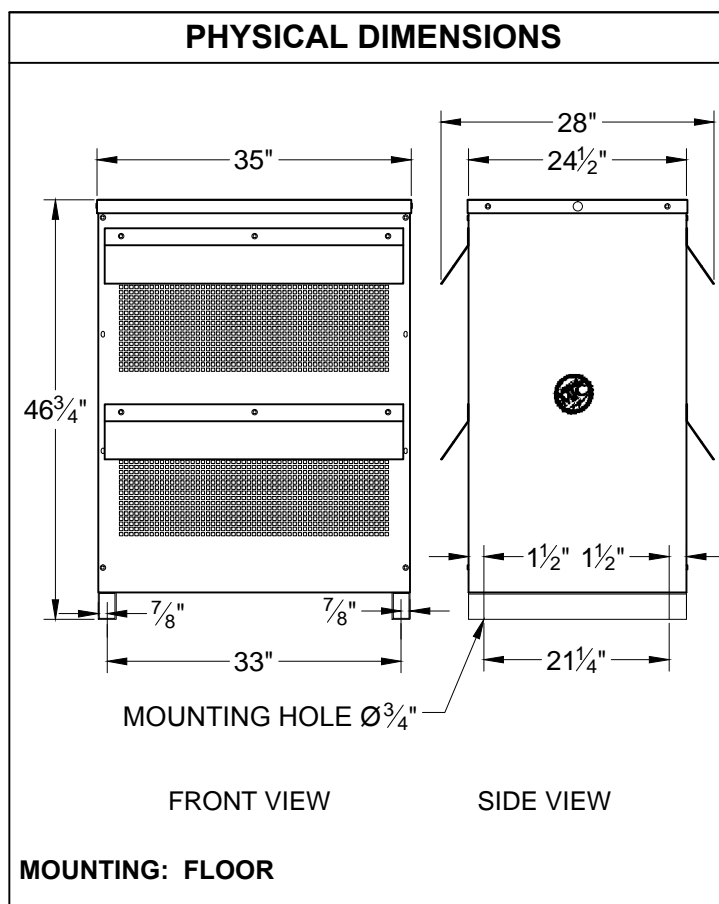
PERFORMANCE	
No load loss	790W
Total loss	7790W
Noise level	55dB

EFFICIENCY	
	Efficiency = 98.6%
	(As per CSA C802.2 & NEMA TP-1)

Primary connectors per phase :	4/0-350MCM(S)
Secondary connectors per phase:	4/0-750MCM(D)

FEATURES:

- Anti-vibration pads installed between the core/coil and the enclosure
- Ground lug provided
- Leads brought-up and solidly positioned into separate terminal boards
- CSA enclosure: ventilated painted ASA 61gray
- Transformer meets the efficiency values as per CSA C802.2 / NEMA TP-1
- Copper ground strap between core/coil and enclosure
- CSA certified / UL listed
- Copper windings



Customer / PO	
Project	
Engineer	
Contractor	
Revision Date	

COMMENTS



MARCUS

Marcus Transformer LTD
 Phone: 1-800-267-7376
 Fax: 1-866-205-7526
 Email: Info@marcustransformer.com

TECHNICAL DATA MODEL:MT 450A1-P

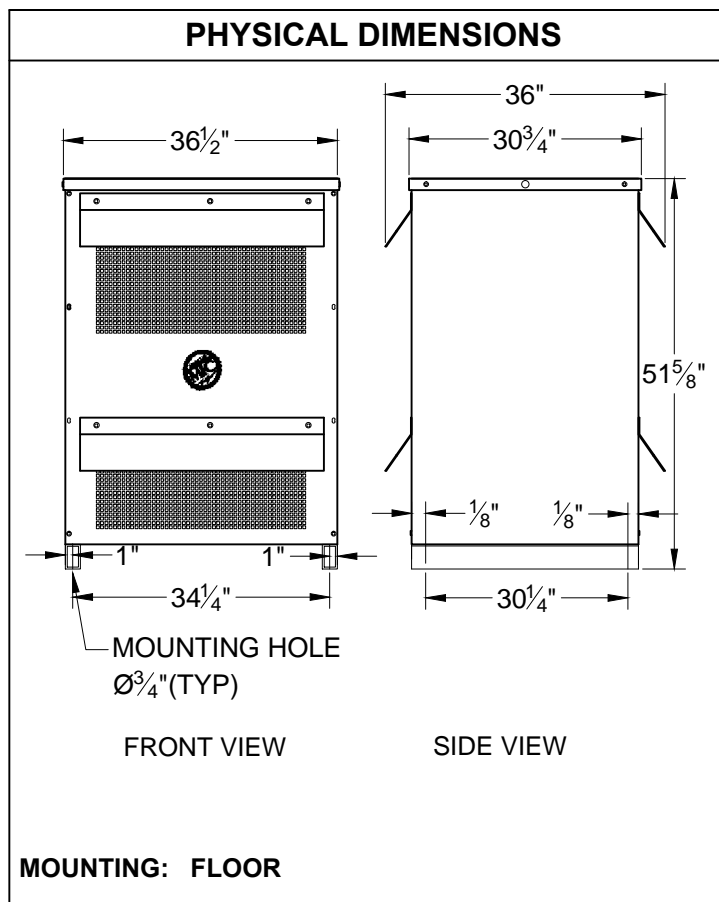
3-PHASE ISOLATING

DESCRIPTION	
Type	DRY TYPE DISTRIBUTION (ANN)
KVA	450
Primary (Volts)	600
Secondary (Volts)	208Y / 120
Phase	3
Enclosure	Drip shield
Impedance (%z)	4.3
Insulation Class	220°C
Temperature Rise	150°C
Frequency	60Hz
Weight (LBS/KG)	2550 / 1157
Connection	Dyn1(TT-1)
BIL.	10KV

PERFORMANCE	
No load loss	1100W
Total loss	10,100W
Noise level	55dB

EFFICIENCY	
	Efficiency = 98.68%
	(As per CSA C802.2 & NEMA TP-1)

Primary connectors per phase :	N/A
Secondary connectors per phase:	N/A



FEATURES:

- Anti-vibration pads installed between the core/coil and the enclosure
- Ground lug provided
- Leads brought-up and solidly positioned into separate terminal boards
- CSA enclosure: ventilated painted ASA 61gray
- Transformer meets the efficiency values as per CSA C802.2 / NEMA TP-1
- Copper ground strap between core/coil and enclosure
- CSA certified / UL listed
- Copper windings

Customer / PO	
Project	
Engineer	
Contractor	
Revision Date	

COMMENTS



MARCUS

Marcus Transformer LTD
 Phone: 1-800-267-7376
 Fax: 1-866-205-7526
 Email: Info@marcustransformer.com

TECHNICAL DATA MODEL:MT 450B1-P

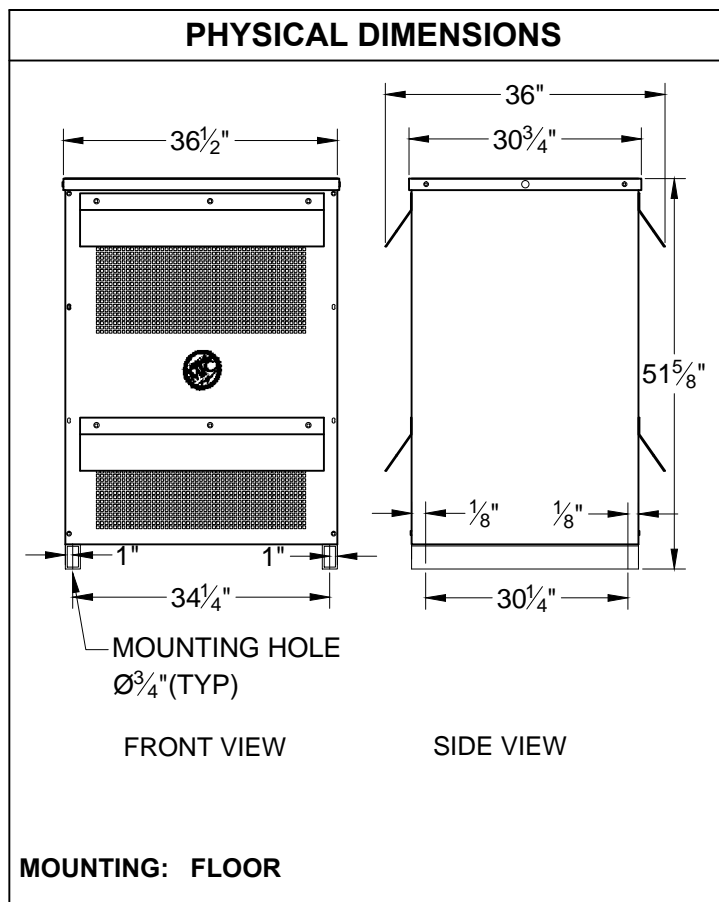
3-PHASE ISOLATING

DESCRIPTION	
Type	DRY TYPE DISTRIBUTION (ANN)
KVA	450
Primary (Volts)	480
Secondary (Volts)	208Y / 120
Phase	3
Enclosure	Drip shield
Impedance (%z)	4.3
Insulation Class	220°C
Temperature Rise	150°C
Frequency	60Hz
Weight (LBS/KG)	2550 / 1157
Connection	Dyn1(TT-1)
BIL.	10KV

PERFORMANCE	
No load loss	1100W
Total loss	10,100W
Noise level	55dB

EFFICIENCY	
	Efficiency = 98.68%
	(As per CSA C802.2 & NEMA TP-1)

Primary connectors per phase :	N/A
Secondary connectors per phase:	N/A



FEATURES:

- Anti-vibration pads installed between the core/coil and the enclosure
- Ground lug provided
- Leads brought-up and solidly positioned into separate terminal boards
- CSA enclosure: ventilated painted ASA 61gray
- Transformer meets the efficiency values as per CSA C802.2 / NEMA TP-1
- Copper ground strap between core/coil and enclosure
- CSA certified / UL listed
- Copper windings

Customer / PO	
Project	
Engineer	
Contractor	
Revision Date	

COMMENTS



MARCUS

Marcus Transformer LTD
 Phone: 1-800-267-7376
 Fax: 1-866-205-7526
 Email: Info@marcustransformer.com

TECHNICAL DATA MODEL:MT 500A1-P 3-PHASE ISOLATING

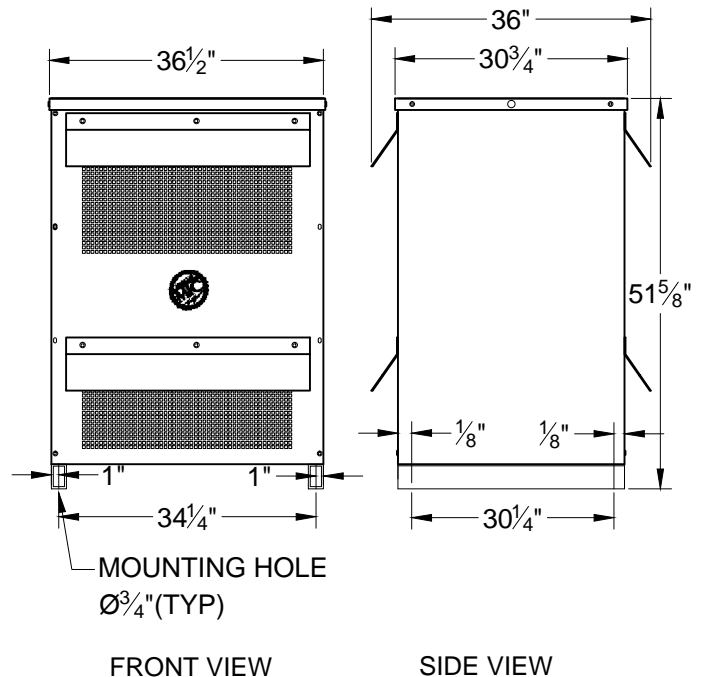
DESCRIPTION	
Type	DRY TYPE DISTRIBUTION (ANN)
KVA	500
Primary (Volts)	600
Secondary (Volts)	208Y / 120
Phase	3
Enclosure	Drip shield
Impedance (%z)	4.1
Insulation Class	220°C
Temperature Rise	150°C
Frequency	60Hz
Weight (LBS/KG)	2760 / 1252
Connection	Dyn1(TT-1)
BIL.	10KV

PERFORMANCE	
No load loss	1200W
Total loss	10,220W
Noise level	55dB

EFFICIENCY	
	Efficiency = 98.69%
	(As per CSA C802.2 & NEMA TP-1)

Primary connectors per phase :	N/A
Secondary connectors per phase:	N/A

PHYSICAL DIMENSIONS



MOUNTING: FLOOR

FEATURES:

- Anti-vibration pads installed between the core/coil and the enclosure
- Ground lug provided
- Leads brought-up and solidly positioned into separate terminal boards
- CSA enclosure: ventilated painted ASA 61gray
- Transformer meets the efficiency values as per CSA C802.2 / NEMA TP-1
- Copper ground strap between core/coil and enclosure
- CSA certified / UL listed
- Copper windings

Customer / PO	
Project	
Engineer	
Contractor	
Revision Date	

COMMENTS



MARCUS

Marcus Transformer LTD
 Phone: 1-800-267-7376
 Fax: 1-866-205-7526
 Email: Info@marcustransformer.com

TECHNICAL DATA MODEL:MT 500B1-P

3-PHASE ISOLATING

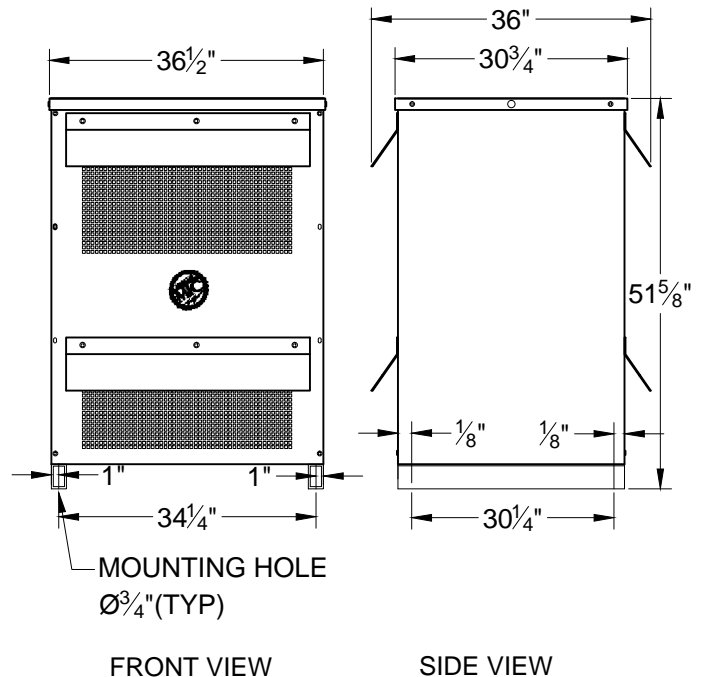
DESCRIPTION	
Type	DRY TYPE DISTRIBUTION (ANN)
KVA	500
Primary (Volts)	480
Secondary (Volts)	208Y / 120
Phase	3
Enclosure	Drip shield
Impedance (%z)	4.1
Insulation Class	220°C
Temperature Rise	150°C
Frequency	60Hz
Weight (LBS/KG)	2760 / 1252
Connection	Dyn1(TT-1)
BIL.	10KV

PERFORMANCE	
No load loss	1200W
Total loss	10,220W
Noise level	55dB

EFFICIENCY	
	Efficiency = 98.69%
	(As per CSA C802.2 & NEMA TP-1)

Primary connectors per phase :	N/A
Secondary connectors per phase:	N/A

PHYSICAL DIMENSIONS



MOUNTING: FLOOR

FEATURES:

- Anti-vibration pads installed between the core/coil and the enclosure
- Ground lug provided
- Leads brought-up and solidly positioned into separate terminal boards
- CSA enclosure: ventilated painted ASA 61gray
- Transformer meets the efficiency values as per CSA C802.2 / NEMA TP-1
- Copper ground strap between core/coil and enclosure
- CSA certified / UL listed
- Copper windings

Customer / PO	
Project	
Engineer	
Contractor	
Revision Date	

COMMENTS



MARCUS

Marcus Transformer LTD
 Phone: 1-800-267-7376
 Fax: 1-866-205-7526
 Email: Info@marcustransformer.com

TECHNICAL DATA MODEL:MT 600A1-P 3-PHASE ISOLATING

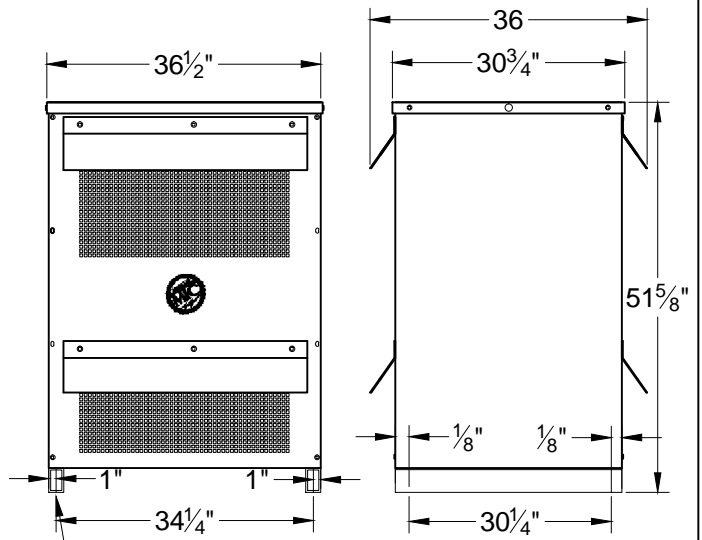
DESCRIPTION	
Type	DRY TYPE DISTRIBUTION (ANN)
KVA	600
Primary (Volts)	600
Secondary (Volts)	208Y / 120
Phase	3
Enclosure	Drip shield
Impedance (%z)	4.1
Insulation Class	220°C
Temperature Rise	150°C
Frequency	60Hz
Weight (LBS/KG)	3150 / 1429
Connection	Dyn1(TT-1)
BIL.	10KV

PERFORMANCE	
No load loss	1280W
Total loss	10,300W
Noise level	55dB

EFFICIENCY	
	Efficiency = 98.8% (As per CSA C802.2 & NEMA TP-1)

Primary connectors per phase :	N/A
Secondary connectors per phase:	N/A

PHYSICAL DIMENSIONS



MOUNTING HOLE
 $\varnothing 3/4$ " (TYP)

FRONT VIEW

SIDE VIEW

MOUNTING: FLOOR

FEATURES:

- Anti-vibration pads installed between the core/coil and the enclosure
- Ground lug provided
- Leads brought-up and solidly positioned into separate terminal boards
- CSA enclosure: ventilated painted ASA 61gray
- Transformer meets the efficiency values as per CSA C802.2 / NEMA TP-1
- Copper ground strap between core/coil and enclosure
- CSA certified / UL listed
- Copper windings

Customer / PO	
Project	
Engineer	
Contractor	
Revision Date	

COMMENTS



MARCUS

Marcus Transformer LTD
 Phone: 1-800-267-7376
 Fax: 1-866-205-7526
 Email: Info@marcustransformer.com

TECHNICAL DATA MODEL:MT 600B1-P 3-PHASE ISOLATING

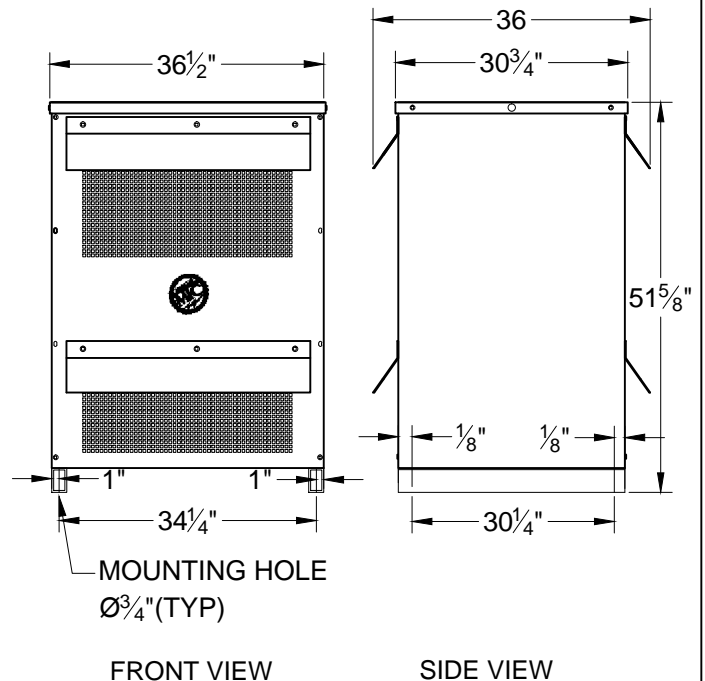
DESCRIPTION	
Type	DRY TYPE DISTRIBUTION (ANN)
KVA	600
Primary (Volts)	480
Secondary (Volts)	208Y / 120
Phase	3
Enclosure	Drip shield
Impedance (%z)	4.1
Insulation Class	220°C
Temperature Rise	150°C
Frequency	60Hz
Weight (LBS/KG)	3150 / 1429
Connection	Dyn1(TT-1)
BIL.	10KV

PERFORMANCE	
No load loss	1280W
Total loss	10,300W
Noise level	55dB

EFFICIENCY	
	Efficiency = 98.8% (As per CSA C802.2 & NEMA TP-1)

Primary connectors per phase :	N/A
Secondary connectors per phase:	N/A

PHYSICAL DIMENSIONS



MOUNTING: FLOOR

FEATURES:

- Anti-vibration pads installed between the core/coil and the enclosure
- Ground lug provided
- Leads brought-up and solidly positioned into separate terminal boards
- CSA enclosure: ventilated painted ASA 61gray
- Transformer meets the efficiency values as per CSA C802.2 / NEMA TP-1
- Copper ground strap between core/coil and enclosure
- CSA certified / UL listed
- Copper windings

Customer / PO	
Project	
Engineer	
Contractor	
Revision Date	

COMMENTS