



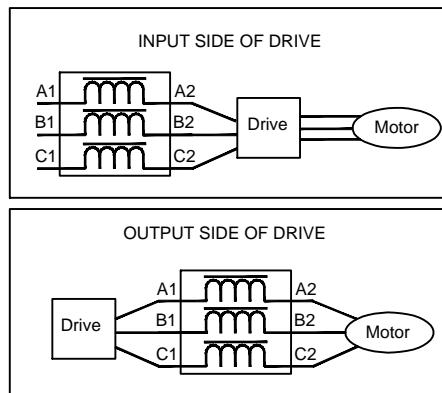
# MARCUS

Marcus Transformer LTD  
 Phone: 1-800-267-7376  
 Fax: 1-866-205-7526  
 Email: Info@marcustransformer.com

## TECHNICAL DATA THREE PHASE LINE REACTOR

DESCRIPTION	
MODEL	MLR0500U50
Type	MLR Open
Current (Amps.)	500
Voltage	
Inductance (Millihenry)	0.050
Losses (Watts)	195
Temperature Rise	120°C
Insulation Class	H (180°C)
Frequency	60Hz
Noise level	less than 70DB
Winding	Copper
Approvals	CSA

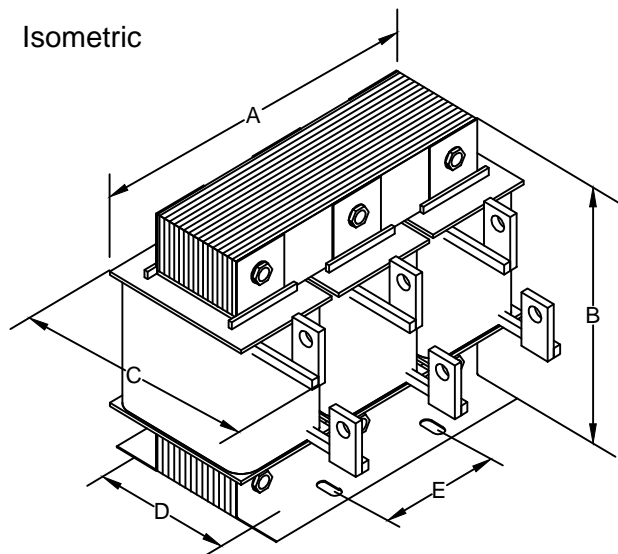
## CONNECTION DIAGRAM



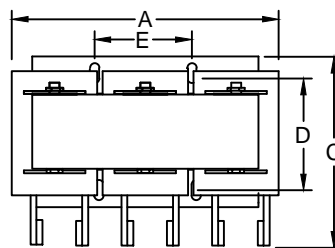
## DIMENSIONS INCHES / MM

Amps.	A	B	C	D	E	MOUNTING HOLES INCHES / MM	SHIP WEIGHT LBS / KG
500	14.40 365.8	12.00 304.8	10.00 254.0	6.00 152.4	4.80 121.9	0.44 x 1.00 11.2 x 25.4	145 65.83

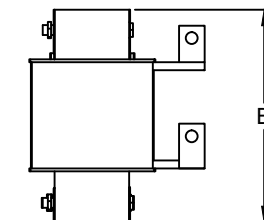
Isometric



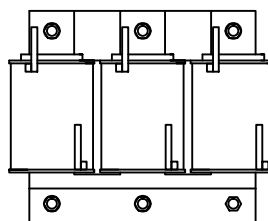
Top View



Side View



Front View



Notes:



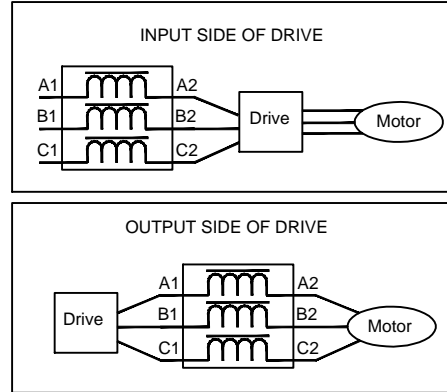
# MARCUS

Marcus Transformer LTD  
 Phone: 1-800-267-7376  
 Fax: 1-866-205-7526  
 Email: Info@marcustransformer.com

## TECHNICAL DATA THREE PHASE LINE REACTOR

DESCRIPTION	
MODEL	MLR0500U85
Type	MLR Open
Current (Amps.)	500
Voltage	
Inductance (Millihenry)	0.085
Losses (Watts)	278
Temperature Rise	120°C
Insulation Class	H (180°C)
Frequency	60Hz
Noise level	less than 70DB
Winding	Copper
Approvals	CSA

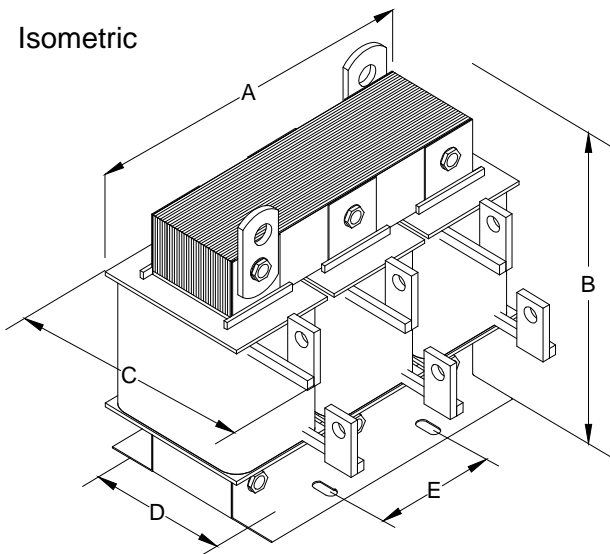
## CONNECTION DIAGRAM



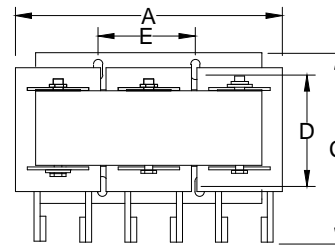
## DIMENSIONS INCHES / MM

Amps.	A	B	C	D	E	MOUNTING HOLES INCHES / MM	SHIP WEIGHT LBS / KG
500	14.40 365.8	12.00 304.8	12.00 304.8	8.00 203.2	4.80 121.9	0.44 x 1.00 11.2 x 25.4	225 102.2

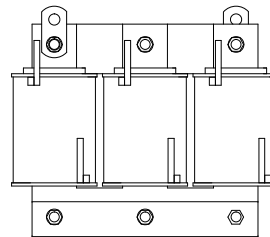
Isometric



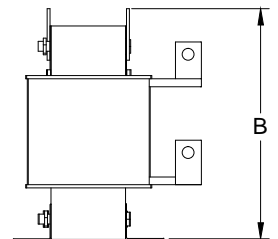
Top View



Front View



Side View



Notes:



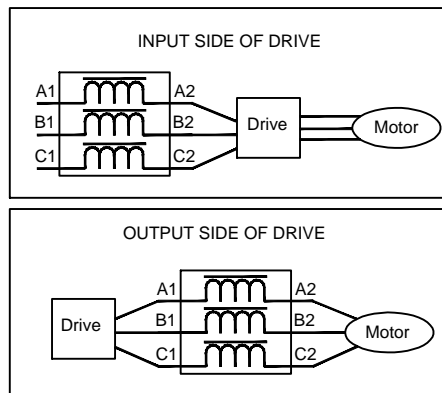
# MARCUS

Marcus Transformer LTD  
 Phone: 1-800-267-7376  
 Fax: 1-866-205-7526  
 Email: Info@marcustransformer.com

## TECHNICAL DATA THREE PHASE LINE REACTOR

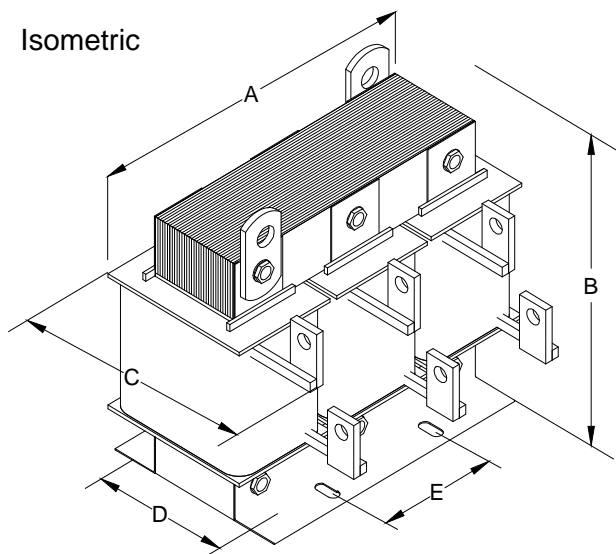
DESCRIPTION	
MODEL	MLR0400U82
Type	MLR Open
Current (Amps.)	400
Voltage	
Inductance (Millihenry)	0.082
Losses (Watts)	208
Temperature Rise	120°C
Insulation Class	H (180°C)
Frequency	60Hz
Noise level	less than 70DB
Winding	Copper
Approvals	CSA

## CONNECTION DIAGRAM

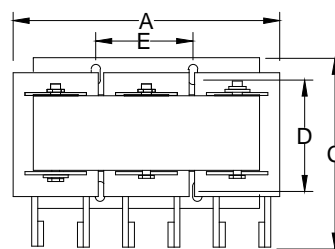


## DIMENSIONS INCHES / MM

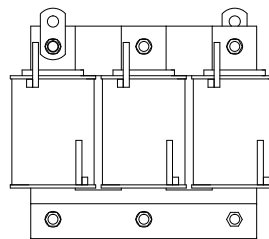
Amps.	A	B	C	D	E	MOUNTING HOLES INCHES / MM	SHIP WEIGHT LBS / KG
400	14.40 365.8	12.00 304.8	10.00 254.0	6.00 152.4	4.80 121.9	0.44 x 1.00 11.2 x 25.4	146 66.28



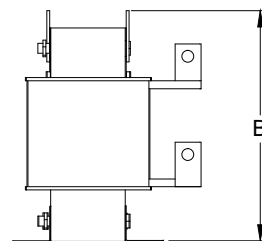
Top View



Front View



Side View



Notes: